



### Main

Range of product	Zelio Relay
Accessory / separate part type	Heat sink

### Complementary

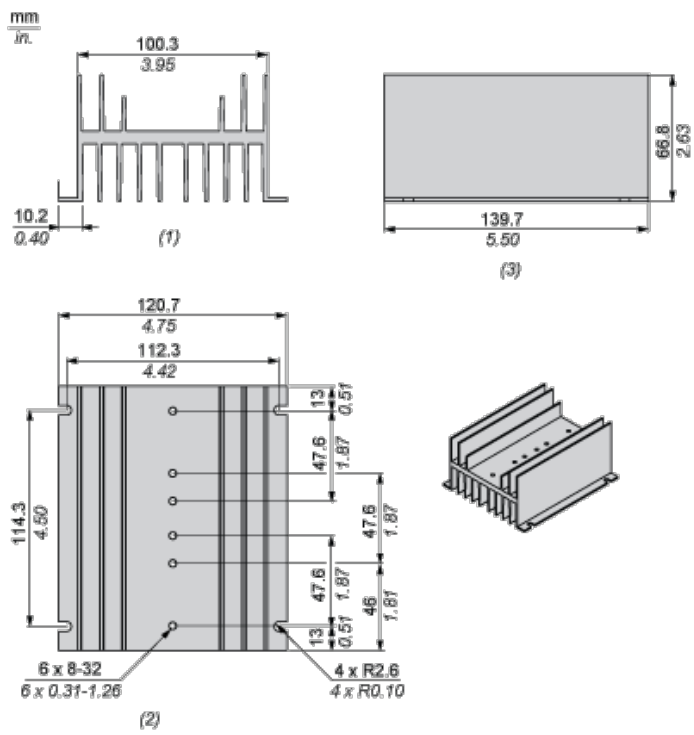
Product compatibility	1 solid state relay SSR on panel
Thermal resistance	0.7 °C/W
Mounting support	Panel
Material	Aluminium
Surface finish	Black anodized
Surface and useful surface	1640 cm <sup>2</sup>
Number of mounting holes	6 with UNC 8-32 thread
Tightening torque	1.7...2.2 N.m
Sale per indivisible quantity	1
Width	139.7 mm
Height	120.7 mm
Depth	66.8 mm
Product weight	526 g

### Environment

#### Offer Sustainability

Sustainable offer status	Green Premium product
RoHS (date code: YYWW)	Compliant - since 1522 - Schneider Electric declaration of conformity
REACH	Reference not containing SVHC above the threshold
Product environmental profile	Available
Product end of life instructions	Need no specific recycling operations

### Dimensions



- (1) Front view
- (2) Top view
- (3) Side view