

HMIBMPSI74D2801

Modular Box PC HMIBM Performance SSD DC
Windows 10 2 slots



Main

Range of product	Magelis iPC
Product or component type	Modular box PC
Device short name	Modular BOX PC Performance
Processor name	Intel Core i7 4650U 1.7 GHz turbo boost at 3.3 GHz
Chipset type	Intel QM87
Free slots	1 CFAST 1 mSATA 2 Internal SATA HDD/SSD with slide-in HMIYMADSD1 to mount . hot swap RAID with Intel Rapid Storage Technology
Video controller type	Intel HD Graphics 5000
Operating system	Windows 10 IoT Enterprise 64 bit (switched from Windows 8.1 in Q1 2018) multi-language
Software package	Vijeo Citect DVD IIoT monitor with Node-RED McAfee white listing license required Vijeo Connect annual subscription secure remote access Vijeo XD demo run time Vijeo XL on configured offer only run time

Complementary

Range compatibility	IDisplay Modular Display HMIDM
Accessory / separate part destination	PC panel on HMIDM modular display
Mounting location	Wall mounting Book mounting Flat mounting
Data storage equipment	80 GB Flash disk SSD TLC for 1500000 h
Display resolution	3200 x 2000 pixels at 60 Hz
Watchdog timer	1...255 ms
Type of cooling	Fanless Fan required to mount PCI/PCIe cards above 3 W
Electrical connection	Screw connector pin connector for 1 ways ground on bottom Connector SMA connector for 3 ways on top
Integrated connection type	Display port with 1 on bottom Display port with 1 on front Ethernet with 2 RJ45, transmission rate: 10/100/1000 Mbps on bottom COM1 serial link for battery backup with 1 male SUB-D 9 RS232/422/485 on bottom USB 2.0 port with 2 USB type A, transmission rate: 480 Mbit/s on bottom USB 3.0 port with 2 USB type A, transmission rate: 5 Gbit/s on bottom TPM (Trusted Platform Module version 1.2) for cyber security - hardware encryption with 1 pin header TPM module (optional) on motherboard available in Q1 2018
Connector type	TPM 2.0 on motherboard HMIYMINATPM201
[Us] rated supply voltage	24 V DC power supply 100...240 V AC power supply with additional adaptor HMIYMMAC1
Supply voltage limits	18...36 V
Inrush current	8.9 A
Power consumption in W	39 W box 45 W 15" screen 46 W 15.6" screen 48 W 18.5" screen 51 W 21.5" screen
Control type	ON/OFF button
Local signalling	Buzzer

The information provided in this documentation contains general descriptions and/or technical characteristics of the performance of the products contained herein. This documentation is not intended as a substitute for and is not to be used for determining suitability or reliability of these products for specific user applications. It is the duty of any such user or integrator to perform the appropriate and complete risk analysis, evaluation and testing of the products with respect to the relevant specific application or use thereof. Neither Schneider Electric Industries SAS nor any of its affiliates or subsidiaries shall be responsible or liable for misuse of the information contained herein.

Green LED for on
 Orange LED for stand-by
 Red LED for stop
 Green LED for RUN
 Red LED for error

Depth	65.2 mm
Height	207 mm
Width	254 mm
Product weight	3.1 kg
Main type	Performance
Number of slots available for expansion	2 mini PCI

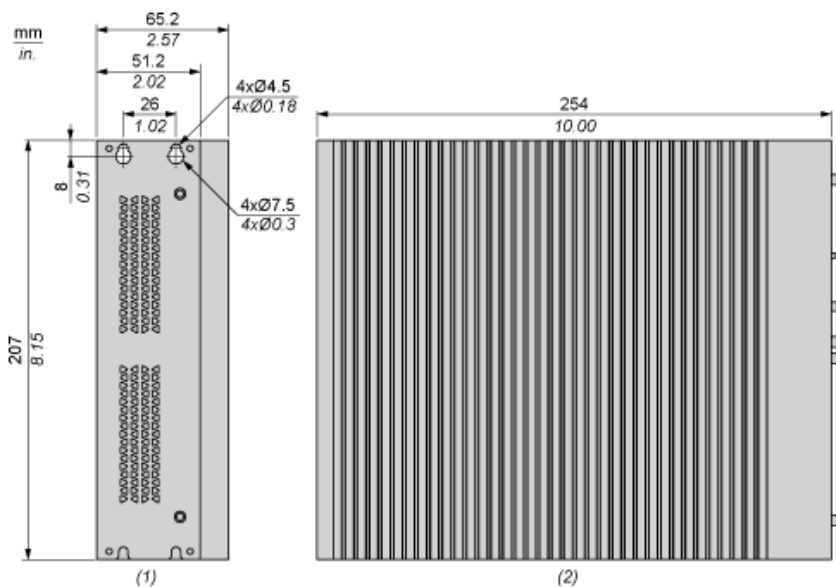
Environment

standards	EN 61131-2 EN 55011 class A group 1 EN 61000-6-4 FCC Part 15 UL 61010
product certifications	CULus CE CULus CSA 22-2 No 142 CULus HazLoc Class I Division 2 ANSI/ISA 12-12-01 CULus HazLoc Class I Division 2 CSA 22-2 No 213 CCC EAC ATEX RCM Marine GL Bridge IEC Ex hazardous locations 3GD zone 2/22
quality labels	CE
directives	2004/108/EC - electromagnetic compatibility 2006/95/EC - low voltage directive
IP degree of protection	IP40 conforming to IEC 60529
electromagnetic compatibility	Conducted and radiated emissions class A EN 55022 Immunity to high frequency interference IEC 61000-4 Disturbing field emission class A EN 55011
ambient air temperature for storage	-30...70 °C conforming to IEC 60068-2-2 -30...70 °C conforming to IEC 60068-2-14
relative humidity	10...95 % non-condensing conforming to EN/IEC 60068-2-30
ambient air temperature for operation	0...55 °C (by default) conforming to EN/IEC 60068-2-2 0...50 °C flat mounting 0...45 °C on PCI/PCIe HMIDM modular display with HDD 0...40 °C flat mounting on HDD 0...40 °C flat mounting on mini PCIe 0...40 °C flat mounting on PCI/PCIe 0...45 °C conforming to 2 on mini PCIe HMIDM modular display
operating altitude	2000 m conforming to IEC 60664-1
vibration resistance	1 gn 5...500 Hz HDD 2 gn 5...500 Hz SSD or CFast

Offer Sustainability

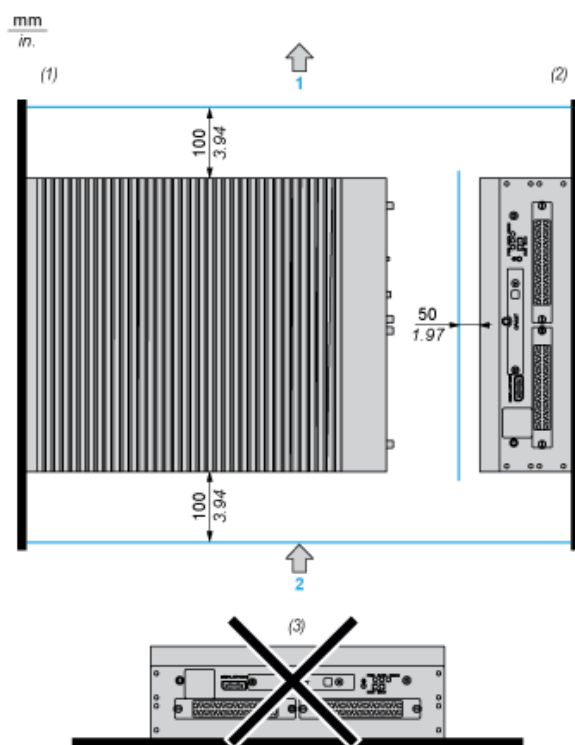
Sustainable offer status	Not Green Premium product
RoHS (date code: YYWW)	Compliant - since 1604 - Schneider Electric declaration of conformity

Dimensions



- (1) Rear view
- (2) Left view

Spacing Requirements



- 1 : Air out
- 2 : Air in
- (1) Book mounting : Vertical mounting with rear fixing
- (2) Wall mounting : Vertical mounting with side fixing
- (3) Horizontal mounting