



Main

Range of product	Modicon X80
Product or component type	Ethernet RIO drop adaptor

Complementary

Bus type	Bus X across the remote backplane
Number of port	3
Integrated connection type	Ethernet/IP (device network) Ethernet/IP (service port)
Communication port protocol	Ethernet/IP
Communication service	RSTP support Configure IP parameters Diagnostics for remote I/O devices The input data are collected and published to the remote I/O head adaptor Output modules are updated with the data received from remote I/O head adaptor
Function available	CCOTF (configuration change on the fly)
Data recording	10 ms time stamps
Topology	Daisy chain loop
Local signalling	1 LED - green for module active (RUN) 1 LED - red for module error (ERR) 1 LED - green/red for module status (Mod Status) 1 LED - green/red for network communication status (Net Status) 1 LED - green for Ethernet link diagnostics (STS)
Product compatibility	BMXERT multifunction input module BMXNOM Ethernet module BMXEHC counter module 0...1024 discrete channel 0...256 analog channel
Marking	CE
Module format	Standard

Environment

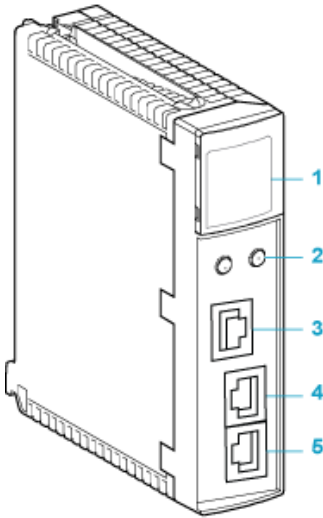
environmental characteristic	Standard environment
product certifications	C-Tick GOST Merchant Navy
standards	CSA C22.2 No 142 EN 61131-2 UL 1604 UL 508 CSA C22.2 No 213
IP degree of protection	IP20
ambient air temperature for operation	0...60 °C
ambient air temperature for storage	-40...85 °C
operating altitude	<= 2000 m

altitude transport	<= 3000 m
relative humidity	95 % without condensation

Offer Sustainability

Sustainable offer status	Green Premium product
RoHS (date code: YYWW)	Compliant - since 1209 - Schneider Electric declaration of conformity
REACH	Reference not containing SVHC above the threshold
Product environmental profile	Available
Product end of life instructions	Available

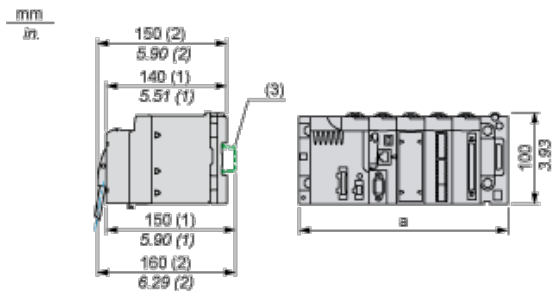
Presentation



- 1 : LED display
- 2 : rotary switches
- 3 : SERVICE port (ETH 1)
- 4 : DEVICE NETWORK port (ETH 2)
- 5 : DEVICE NETWORK port (ETH 3)

Modules Mounted on Racks

Dimensions



- (1) With removable terminal block (cage, screw or spring).
- (2) With FCN connector.
- (3) On AM1 ED rail: 35 mm wide, 15 mm deep. Only possible with BMXXBP0400/0400H/0600/0600H/0800/0800H rack.

Rack references	a in mm	a in in.
BMXXBP0400 and BMXXBP0400H	242.4	09.54
BMXXBP0600 and BMXXBP0600H	307.6	12.11
BMXXBP0800 and BMXXBP0800H	372.8	14.68
BMXXBP1200 and BMXXBP1200H	503.2	19.81