

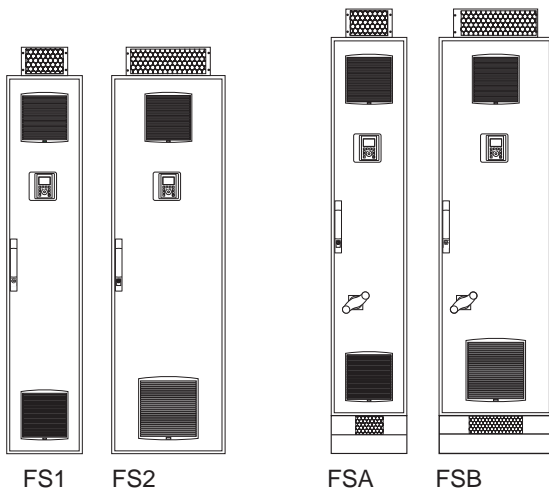


NVE5736901

# Altivar Process Floor Standing Installation

## ATV6●●●●●●●●F - ATV9●●●●●●●●F

Download the ATV630\_650 Installation manual ([EAV64301](#)) or ATV930\_950 Installation manual ([NHA80932](#)) on [www.schneider-electric.com](http://www.schneider-electric.com). You must have detailed information to be able to carry out the installation and commissioning.



### **▲ WARNING**

#### **HAZARD OF FALL**

- Do as much work as possible from the floor.
- Ensure you can access safely to the top of the enclosure.
- Ensure elevating equipment is suitable, stable and strong enough for the intervention, maintained and checked regularly.

**Failure to follow these instructions can result in death, serious injury or equipment damage.**

### **▲ WARNING**

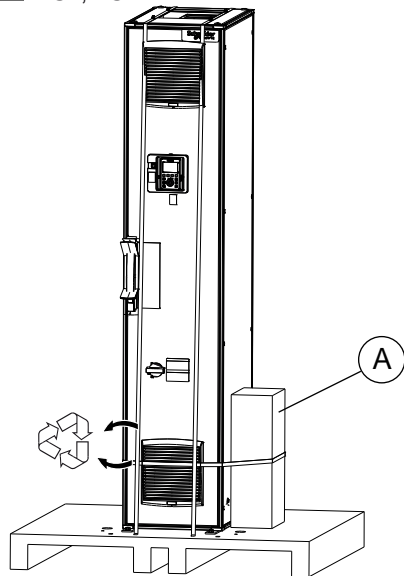
#### **TOPPLING**

- Take into account the high center of gravity when handling the equipment.
- Only transport the equipment on the pallet using a suitable forklift.
- Do not remove the straps and the screws on the pallet before the equipment has been transported to the final installation position.

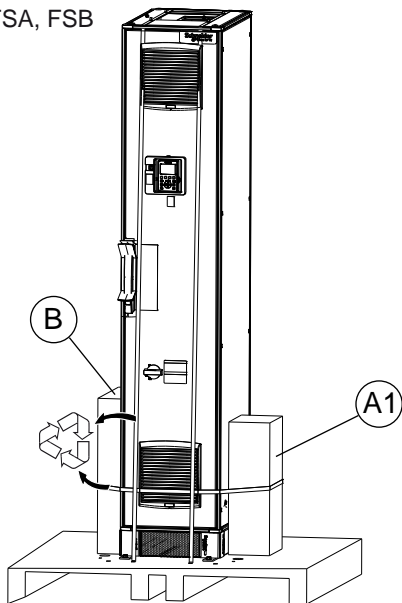
**Failure to follow these instructions can result in death, serious injury, or equipment damage.**

Electrical equipment should be installed, operated, serviced, and maintained only by qualified personnel. No responsibility is assumed by Schneider Electric for any consequences arising out of the use of this product. © 2017 Schneider Electric. All Rights Reserved.

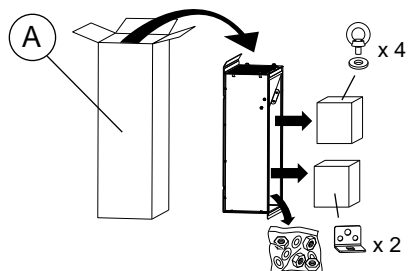
1 FS1, FS2



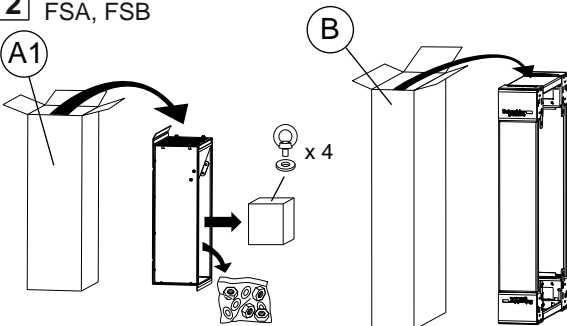
1 FSA, FSB



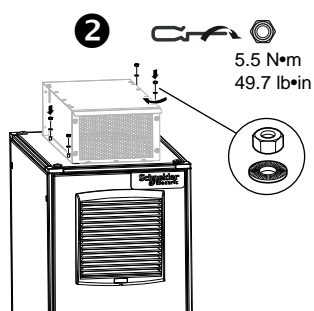
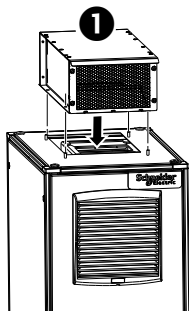
2 FS1, FS2



2 FSA, FSB



3 FS1, FSA



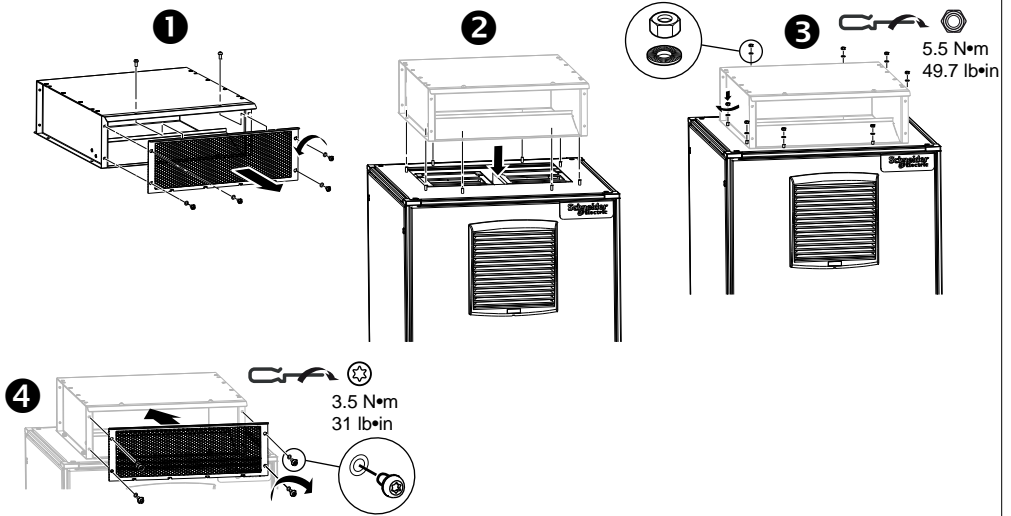
**⚠ ⚠ DANGER**

**ELECTRIC SHOCK CAUSED BY INSUFFICIENT GROUNDING CONTINUITY**

Ensure that all screws, nuts, and washers are properly mounted and tightened as specified in this document.

Failure to follow these instructions will result in death or serious injury.

### 3 FS2, FSB



## **⚡ ⚠ DANGER**

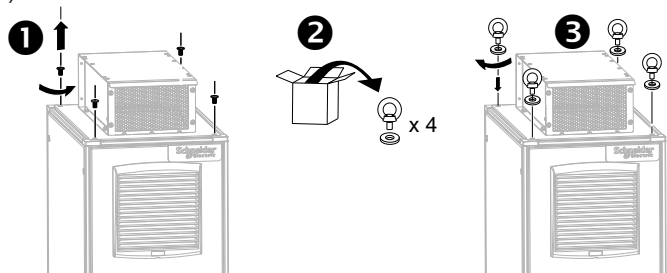
### **ELECTRIC SHOCK CAUSED BY INSUFFICIENT GROUNDING CONTINUITY**

Ensure that all screws, nuts, and washers are properly mounted and tightened as specified in this document.

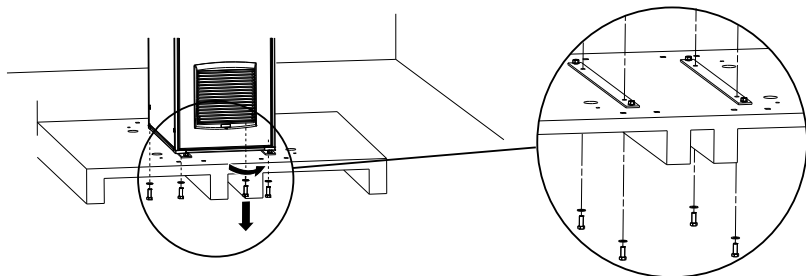
**Failure to follow these instructions will result in death or serious injury.**

### 4 FS1, FS2

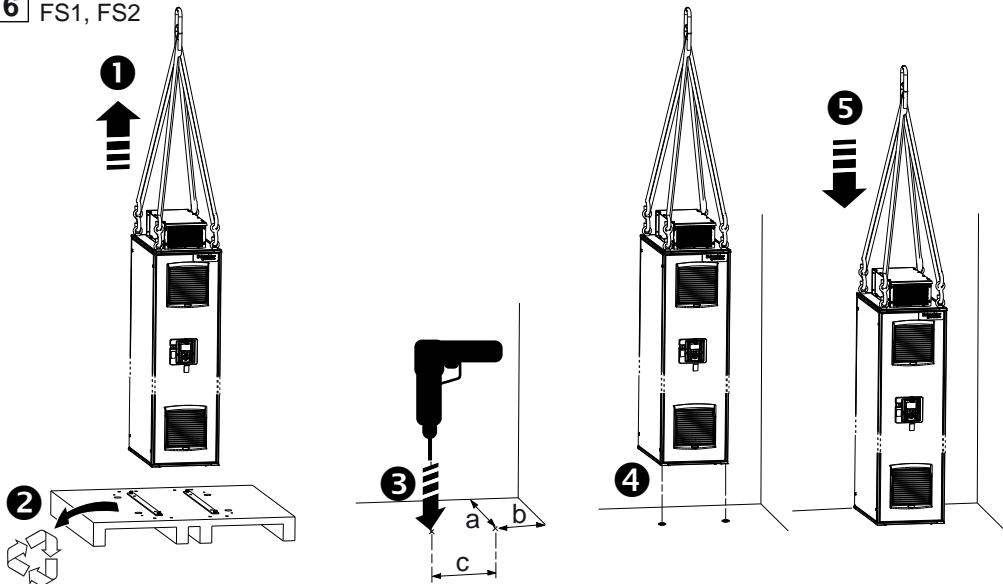
(FSA, FSB: 4 p. 5/6)



### 5 FS1, FS2



**6** FS1, FS2



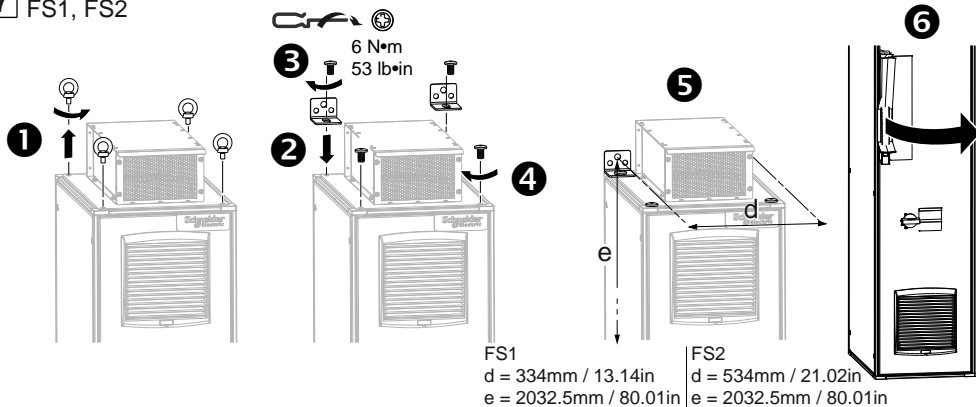
FS1

a = 537.5mm / 21.16in  
 b = min 62.5mm / 2.46in  
 c = 275mm / 10.82in

FS2

a = 537.5mm / 21.16in  
 b = min 62.5mm / 2.46in  
 c = 475mm / 18.70in

**7** FS1, FS2

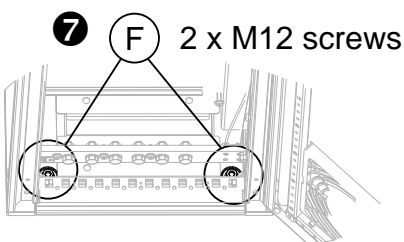
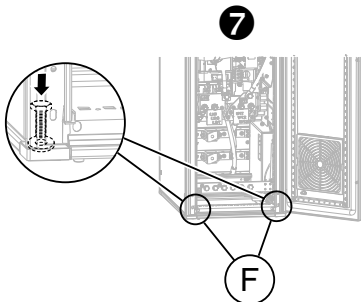


FS1

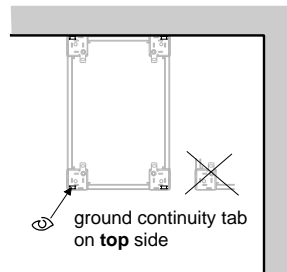
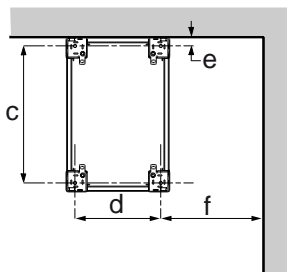
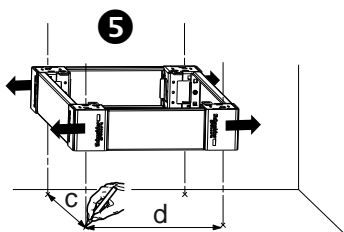
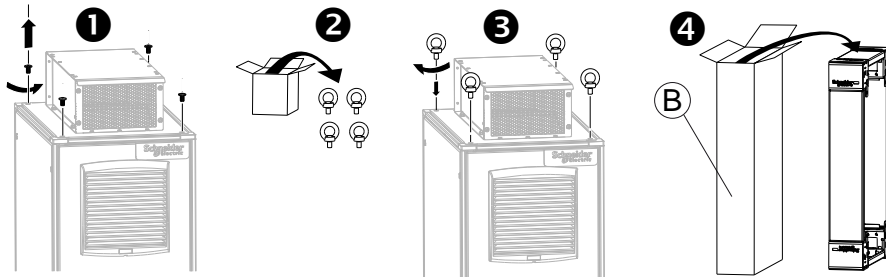
d = 334mm / 13.14in  
 e = 2032.5mm / 80.01in

FS2

d = 534mm / 21.02in  
 e = 2032.5mm / 80.01in



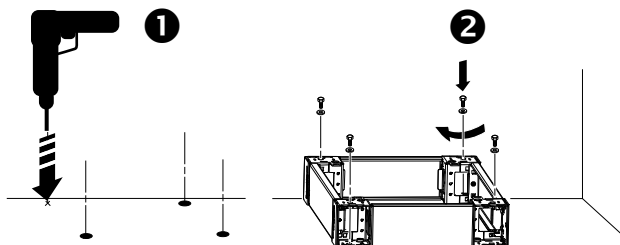
**4** FSA, FSB



| FSA                 | FSB                 |
|---------------------|---------------------|
| c = 535mm / 21.06in | c = 535mm / 21.06in |
| d = 335mm / 13.18in | d = 535mm / 21.06in |

e = 35mm / 1.37in  
f = min 35mm / 1.37in

**5**



**6** FSA, FSB

