

Getting Started With Altivar Process ATV600



EAV6325304

1 Download The Manuals

You must have detailed information to be able to carry out the installation and commissioning. This information can be found in the following manuals that can be downloaded on www.se.com or scan the QR code in front of the Drive.

- The Installation manual ([EAV64301](#))
- The Programming manual ([EAV64318](#))



Verify the Key Points of your installation, identified by this symbol.



The Getting Started manual does not replace the Installation and the Programming manuals.

You can watch our Video



DANGER

HAZARD OF ELECTRIC SHOCK, EXPLOSION, OR ARC FLASH

Only appropriately trained persons who are familiar with and understand the contents of this manual and all other pertinent product documentation and who have received safety training to recognize and avoid hazards involved are authorized to work on and with this drive system. Installation, adjustment, repair and maintenance must be performed by qualified personnel.

- The system integrator is responsible for compliance with all local and national electrical code requirements as well as all other applicable regulations with respect to grounding of all equipment.
- Many components of the product, including the printed circuit boards, operate with mains voltage.
- Only use properly rated, electrically insulated tools and measuring equipment.
- Do not touch unshielded components or terminals with voltage present.
- Motors can generate voltage when the shaft is rotated. Prior to performing any type of work on the drive system, block the motor shaft to prevent rotation.
- AC voltage can couple voltage to unused conductors in the motor cable. Insulate both ends of unused conductors of the motor cable.
- Do not short across the DC bus terminals or the DC bus capacitors or the braking resistor terminals.
- Before performing work on the drive system:
 - Disconnect all power, including external control power that may be present. Take into account that the circuit breaker or main switch does not de-energize all circuits.
 - Place a **Do Not Turn On** label on all power switches related to the drive system.
 - Lock all power switches in the open position.
 - Wait 15 minutes to allow the DC bus capacitors to discharge.
 - Follow the instructions given in the chapter "Verifying the Absence of Voltage" in the installation manual of the product.
- Before applying voltage to the drive system:
 - Verify that the work has been completed and that the entire installation cannot cause hazards.
 - If the mains input terminals and the motor output terminals have been grounded and short-circuited, remove the ground and the short circuits on the mains input terminals and the motor output terminals.
 - Verify proper grounding of all equipment.
 - Verify that all protective equipment such as covers, doors, grids is installed and/or closed.

Failure to follow these instructions will result in death or serious injury.

Electrical equipment should be installed, operated, serviced, and maintained only by qualified personnel. No responsibility is assumed by Schneider Electric for any consequences arising out of the use of this product.

2 Verify The Delivery Of The Drive

Unpack the drive and verify that it has not been damaged. Damaged products or accessories may cause electric shock or unanticipated equipment operation.

DANGER

HAZARD OF ELECTRIC SHOCK, EXPLOSION, OR ARC FLASH

Do not use damaged products or accessories.
Failure to follow these instructions will result in death or serious injury.

Contact your local Schneider Electric sales office if you detect any damage whatsoever.

Verify compatibility between your drive and your application with our

Product Selector



3 Verify The Supply Mains Compatibility With The Drive



3-phase supply mains: _____ V~

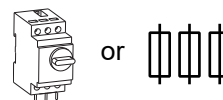
Drive mains voltage: _____ V~

ATV.....M3 = 200/240 V~ ATV.....N4 = 380/480 V~

ATV.....S6 = 600 V~ ATV.....Y6 = 500/690 V~

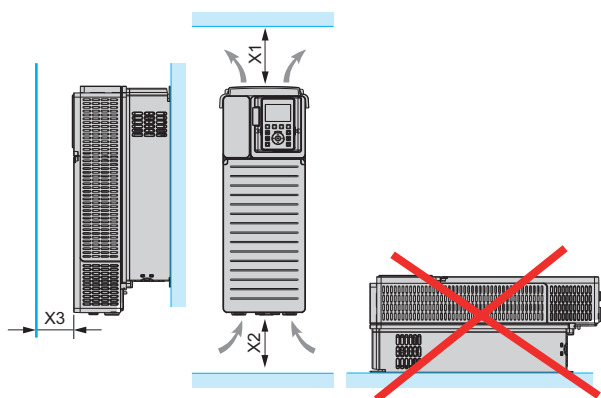
Verify the quality of the supply mains (harmonics, voltage...).

4 Verify Upstream Protective Device



- For IEC, on ATV600 Catalog [DIA2ED2140502EN](#)
- or
- For UL fuse rating, with attached SCCR annex [EAV64300](#).

5 Mount The Drive Vertically

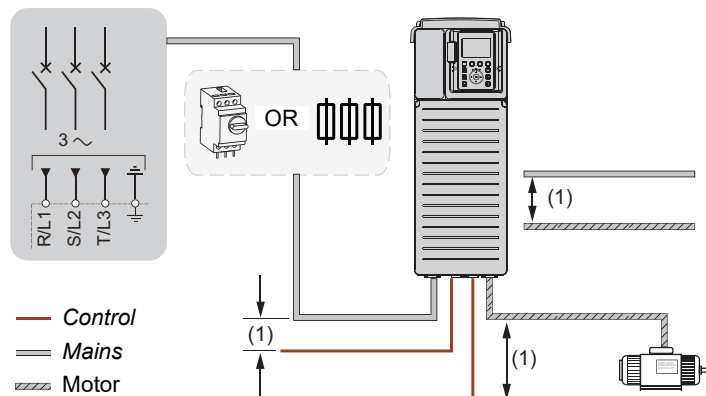


| Drive | X1 | X2 | X3 |
|--|------------------------|------------------------|------------------------|
| ATV630U07...ATV630D90N4... ATV630U22S6X...ATV630D15S6X, ATV630...S6, ATV630...Y6, ATV650..... | ≥ 100 mm (3.94 in.) | ≥ 100 mm (3.94 in.) | ≥ 10 mm (0.39 in.) |
| ATV630D55M3...ATV630D75M3, ATV630C11N4...ATV630C16N4 | ≥ 250 mm (9.84 in.) | ≥ 250 mm (9.84 in.) | ≥ 100 mm (3.94 in.) |
| ATV630C22N4...ATV630C31N4 | ≥ 200 mm (7.87 in.) | ≥ 150 mm (5.91 in.) | ≥ 10 mm (0.39 in.) |

See thermal conditions in the Installation manual ([EAV64301](#)).

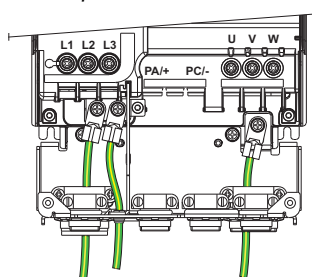
6 Connect The Drive: Ground and Power

1. Connect the ground cables .
2. Connect the drive to the mains (R/L1, S/L2, T/L3).
3. Connect the drive to the motor (U/T1, V/T2, W/T3).
4. Ensure minimum distance between the "Control" and "Power" cables.

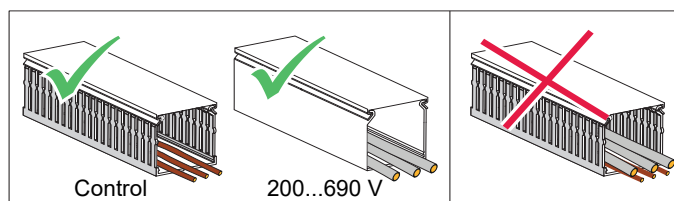


(1) Defined by *Practical Installation guidelines* ([deg999en](#)).

Example on frame size 3



See other Frame sizes in chapter *Wiring the Power Part* of the Installation manual ([EAV64301](#))



For more information, download the white paper *An Improved Approach for Connecting VSD and Electric Motors* ([998-2095-10-17-13AR0_EN](#)).

5. Refer to the tightening torque instructions on the nameplate

| Ativar 630 | |
|-------------|--------------|
| ATV630U40N4 | |
| 4kW - 5HP | |
| V1.0 630 | |
| | Input |
| U (V-L) | 380 - 480 VΔ |
| F (Hz) | 50 / 60 |
| I (A) | 7.8 max |
| | Output |
| U (V-L) | 380 - 480 VΔ |
| F (Hz) | 50 / 60 |
| I (A) | 7.8 max |
| IP21 | |

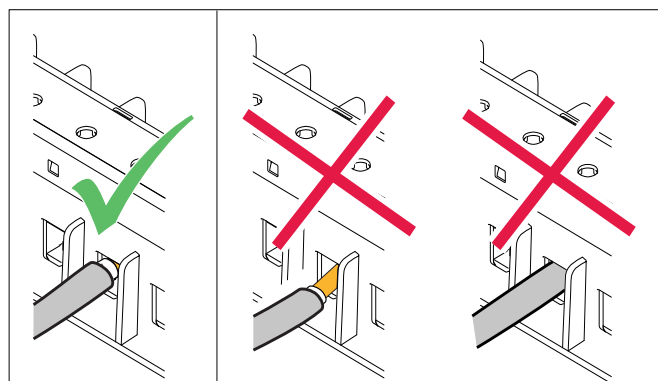
xx.x lb.in xx.x N.m



xx.x lb.in xx.x N.m

Stripping lengths and Cabling

Refer to the instructions given in the installation manual ([EAV64301](#)).



DANGER

HAZARD OF ELECTRIC SHOCK, EXPLOSION, OR ARC FLASH

Wire cross sections and tightening torques must comply with the specifications provided in the installation manual.

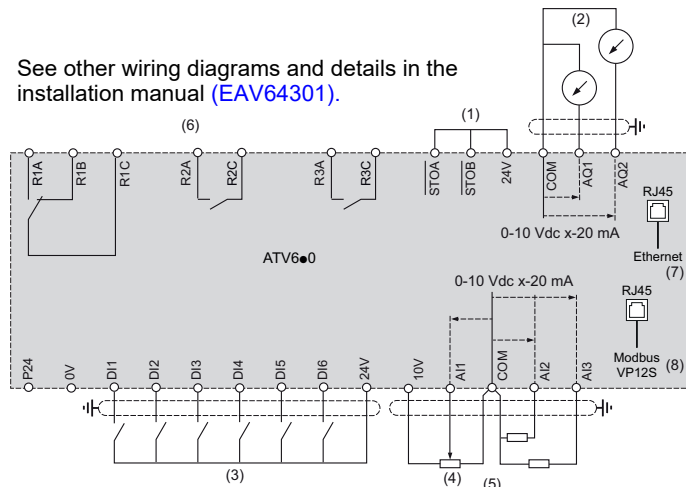
Failure to follow these instructions will result in death or serious injury.

7 Connect The Drive: Control

Wiring Example

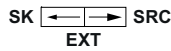
- For reference frequency, connect **A11**, **10V** and **COM** with a potentiometer 1...10 kΩ (ex. SZ1RV1002)
- Connect the command **DI1** to **24V**
DI1 = forward (control command 2-wire - factory setting)

See other wiring diagrams and details in the installation manual ([EAV64301](#)).



- (1) STO Safe Torque Off, (2) Analog Outputs, (3) Digital Inputs, (4) Reference potentiometer 1...10 kΩ (ex. SZ1RV1002), (5) Analog Inputs, (6) Relay Outputs, (7) Cable specification: min. Cat 5e, twisted-pair, 8 x 0.25 mm² (AWG 22), max. length 100 m (328 ft), (8) See Catalog [DIA2ED2140502EN](#) for cable references

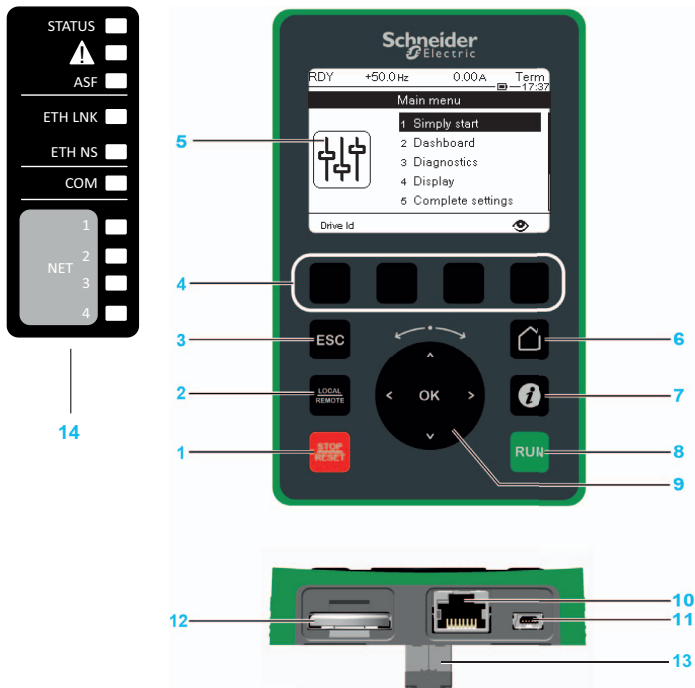
Verify that the switch is on default position = SRC mode (right position)



Sink (SK) - Sink External (EXT) - Source (SRC)

SOURCE (SRC) position is used for PLC outputs with PNP transistors. Refer to the instructions given in the installation manual ([EAV64301](#)).

8 LEDs and Graphic Display Terminal



14. For a detailed description of the LEDs, refer to the section *Description of the Product Front LEDs* of the Programming manual ([EAV64318](#)).

NOTICE

INCORRECT VOLTAGE

Only supply the digital inputs with 24 Vdc.

Failure to follow these instructions can result in equipment damage.

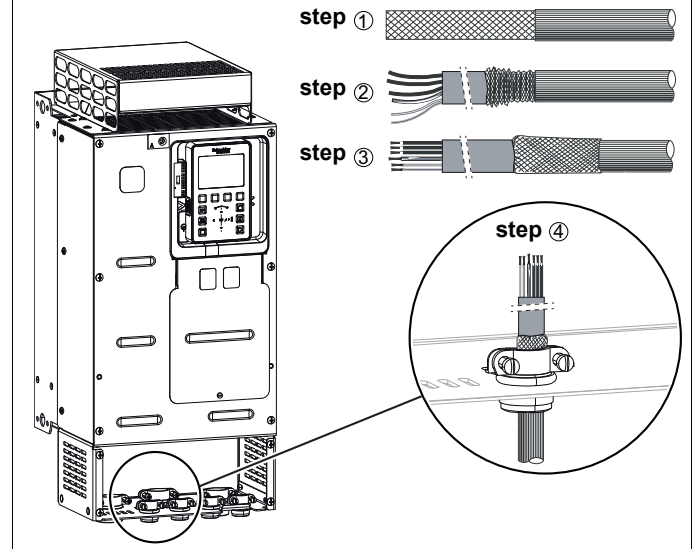
Tightening torque and screwdriver type

0.5 N.m
4.4. lb.in



| Relay Output Wire Cross Section | | Other Wire Cross Section | |
|---------------------------------|-----------------------|--------------------------|-----------------------|
| Minimum | Maximum | Minimum | Maximum |
| mm ² (AWG) | mm ² (AWG) | mm ² (AWG) | mm ² (AWG) |
| 0.75 (18) | 1.5 (16) | 0.5 (20) | 1.5 (16) |

Shielding connection to ground: DI example



- STOP / RESET: Stop command / apply a Fault Reset.
- LOCAL / REMOTE: used to switch between local and remote control of the drive.
- ESC: used to quit a menu/parameter or remove the currently displayed value in order to revert to the previous value retained in the memory.
- F1 to F4: function keys used to access drive id, QR code, quick view, and submenus.
- Graphic display.
- Home: used to access directly at the home page.
- Information: to get more information about parameters.
- RUN: executes the function assuming it has been configured.
- Touch wheel / OK: used to save the current value or access the selected menu/parameter. The touch wheel is used to scroll fast into the menus. Up/down arrows are used for precise selections, right/left arrows are used to select digits when setting a numerical value of a parameter.
- RJ45 Modbus serial port: used to connect the Graphic Display Terminal to the drive. This connection requires specific cables to be ordered separately, see the Catalog ([DIA2ED2140502EN](#)).
- Mini USB port: used to connect the Graphic Display Terminal to a computer.
- Battery (10 years service life. Type: CR2032).
- RJ45 male connector to plug on the drive or on the door mounting kit.

9 [Simply start]

- Verify that digital input is not active (**DI1** open, see step 7 wiring diagram).
- Apply power to the drive.
- If requested, set the date, time, and language.

10 Set Motor Parameters For Asynchronous Motor

NOTE: For other motor types, refer to the Programming manual (EAV64318).

See the motor nameplate to set the following

| Menu | Parameter | Factory Setting | | Customer Setting |
|--|--|--|---------------------|------------------|
| | | ATV●●●●●M3 ATV●●●●●N4●● ATV●●●●●Y6 | ATV●●●●●S6● | |
| [Simply start] | [Motor Standard] <i>b F r</i> : Standard motor frequency | [50 Hz IEC] 50 (Hz) | [60 Hz IEC] 60 (Hz) | |
| | [Nominal Motor Power] <i>n P r</i> : Nominal motor power on motor nameplate | drive rating (kW) | drive rating (HP) | |
| | [Nom Motor Voltage] <i>u n S</i> : Nominal motor voltage on motor nameplate | drive rating (Vac) | | |
| | [Nom Motor Current] <i>i n C r</i> : Nominal motor current on motor nameplate | drive rating (A) | | |
| | [Nominal Motor Freq] <i>F r S</i> : Nominal motor frequency on motor nameplate | 50 (Hz) | | |
| | [Nominal Motor Speed] <i>n S P</i> : Nominal motor speed on motor nameplate | drive rating (rpm) | | |
| | [2/3-Wire Control] <i>E C C</i> : Command control by 2 wire or 3 wire control | 2 C | | |
| | [Max Frequency] <i>f F r</i> : Maximum motor frequency | 60 (Hz) | 72 (Hz) | |
| [Motor Th current] <i>i t H</i> : Motor thermal current on motor nameplate | drive rating (A) | | | |

11 Perform A Motor [Autotuning] For Asynchronous Motor

NOTE: Perform autotuning with the motor cold. If you modify motor parameters after having performed autotuning, you must re-perform autotuning.

⚠ WARNING

UNEXPECTED MOVEMENT

Autotuning moves the motor in order to tune the control loops.

- Only start the system if there are no persons or obstructions in the zone of operation.

Failure to follow these instructions can result in death, serious injury, or equipment damage.

During [Autotuning], the motor makes small movements. Noise development and oscillations of the system are normal.

| Menu | Parameter |
|----------------|---|
| [Simply start] | [Autotuning] <i>t u n</i> : Set parameter to [Apply Autotuning] <i>y e s</i> . [Autotuning] <i>t u n</i> is done immediately. |

12 Set Basic Parameters

| Menu | Parameter | Factory Setting | | Customer Setting |
|----------------|--|--|-------------|------------------|
| | | ATV●●●●●M3 ATV●●●●●N4●● ATV●●●●●Y6 | ATV●●●●●S6● | |
| [Simply start] | [Acceleration] <i>a c c</i> : Acceleration time | 10.0 (s) | | |
| | [Deceleration] <i>d e c</i> : Deceleration time | 10.0 (s) | | |
| | [Low speed] <i>L S P</i> : Motor frequency at minimum reference | 0 (Hz) | | |
| | [High speed] <i>H S P</i> : Motor frequency at maximum reference | 50 (Hz) | 60 (Hz) | |

13 Start And Stop The Motor

- Switch on **DI1** (forward).
- Use the potentiometer on **AI1** to set the reference frequency, adjustable from [Low speed] *L S P* to [High speed] *H S P*.
- Switch off **DI1** (forward) to stop the motor.

Troubleshooting



Scan the QR code on the RED screen or refer to the Programming manual (EAV64318), to get the error code explanations.



Other Tools To Configure The Drive

- **SoMove** is a setup software for PC designed to configure Schneider Electric motor control devices. You can download the SoMove FDT (SoMove_FDT), the DTM in English (ATV6xx_DTM_Library_EN) and language pack, on www.se.com.
- **Embedded Webserver**: See the Embedded Ethernet manual (EAV64327) for more information.