

ZB5AZ022

Plastic flush mounting kit for Ø22 selector switch and ill.pushbutton



Main

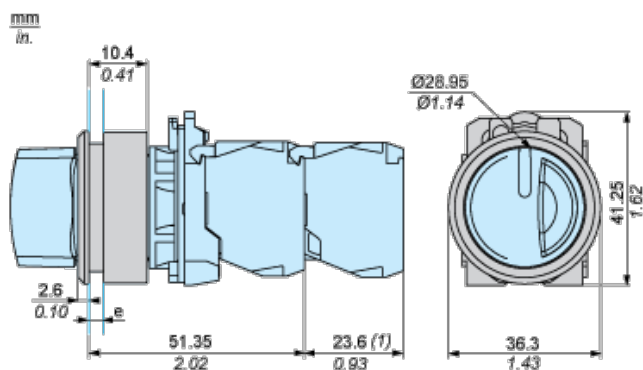
| | |
|---------------------------------------|--|
| Range of product | Harmony XB5 |
| Product or component type | Flush mounting kit |
| Accessory / separate part category | Mounting and fixing accessory |
| Product compatibility | ZB5AW ZB5AA.6 ZB5AH..3 ZB5AD ZB5AD.8 ZB5AD.9 ZB5AK ZB5AJ ZB5RZA0 ZB5RTA |
| Accessory / separate part destination | Selector switch with high bezel and high guard Illuminated push-button with high bezel and high guard |

Complementary

| | |
|-------------------------|--|
| Colour | Black |
| IP degree of protection | IP66 (front face) conforming to IEC 60529 IP69 (front face) conforming to IEC 60529 IP69K (front face) conforming to DIN 40050-9 |
| IK degree of protection | IK03 IEC 50102 |
| Mounting diameter | 30.5 mm |
| Quantity per set | Set of 1 |
| Product weight | 0.007 kg |

Environment

Dimensions with Flush Mounting Kit



e : Clamping thickness : 1 to 3.5 mm / 0.04 to 0.14 in.

(1) Additional row of contacts or double contact

Panel Cut-Out and Mounting

mm
in.

