



### Main

|                                    |   |
|------------------------------------|---|
| Range of product                   | Harmony XVR   |
| Product or component type          | Beacon  |
| Device short name                  | XVR3  |
| Beacon or indicator bank unit type | LED unit  |
| Sound signalling                   | Buzzer : 70...90 dB at 1 m                              |
| Mounting diameter                  | 100 mm  |
| Light source                       | Blue LED  |
| Device application                 | Forklift<br>Bulldozer<br>Automated guided vehicle (AGV) |

### Complementary

|                                |   |
|--------------------------------|---|
| Signalling type                | Flashing<br>Blinking<br>Rotating  |
| Assembly style                 | Ready assembled   |
| Material                       | PC (polycarbonate) (lenses)<br>PBT (polybutylene terephthalate) + PC (polycarbonate) (body)<br>EPDM (ethylene propylene diene monomer) (base) |
| [Us] rated supply voltage      | 100...230 V AC  |
| [Ue] rated operational voltage | 90...253 V AC   |
| Inrush current                 | 0.5 A   |
| Power consumption in W         | 3.2 W   |
| Marking                        | CE  |
| Installation direction         | Upright (indoor)<br>Sideways (indoor)<br>Inverted (indoor)<br>Upright (outdoor)   |
| Electrical insulation class    | Class II  |
| Current consumption            | 500 mA  |
| Length                         | 100 mm  |
| Width                          | 100 mm  |
| Height                         | 139 mm  |
| Product weight                 | 0.538 kg  |

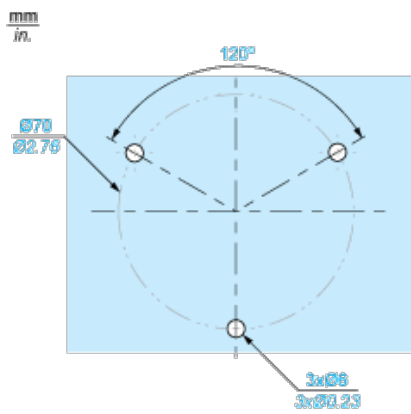
### Environment

|                                       |  |
|---------------------------------------|--|
| product certifications                | CCC  |
| ambient air temperature for operation | -10...50 °C  |
| ambient air temperature for storage   | -20...70 °C  |
| relative humidity                     | 35...85 % without condensation                             |
| vibration resistance                  | 4.6 gn (sideways)<br>4.6 gn (inverted)<br>4.6 gn (upright) |
| IP degree of protection               | IP23 (sideways)<br>IP23 (inverted)<br>IP23 (upright)       |

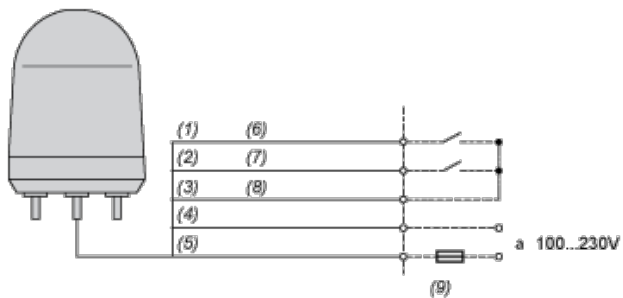
### Offer Sustainability

|                          |                       |
|--------------------------|-----------------------|
| Sustainable offer status | Green Premium product |
|--------------------------|-----------------------|





## Wiring Diagram



- (1) Green
- (2) Red
- (3) Yellow
- (4) Black
- (5) White
- (6) LED
- (7) Buzzer
- (8) Com
- (9) Fuse(Rated Current>2A)