



Main

Range of product	Harmony XVR
Product or component type	Beacon
Device short name	XVR3
Beacon or indicator bank unit type	LED unit
Mounting diameter	100 mm
Light source	Orange LED
Device application	Forklift Bulldozer Automated guided vehicle (AGV)

Complementary

Signalling type	Flashing Blinking Rotating
Assembly style	Ready assembled
Material	PC (polycarbonate) (lenses) PBT (polybutylene terephthalate) + PC (polycarbonate) (body) EPDM (ethylene propylene diene monomer) (base)
[Us] rated supply voltage	48 V DC
[Ue] rated operational voltage	35...60 V DC
Inrush current	1 A
Power consumption in W	3 W
Marking	CE
Installation direction	Upright (indoor) Sideways (indoor) Inverted (indoor) Upright (outdoor)
Electrical insulation class	Class II
Current consumption	1000 mA
Length	100 mm
Width	100 mm
Height	139 mm
Product weight	0.484 kg

Environment

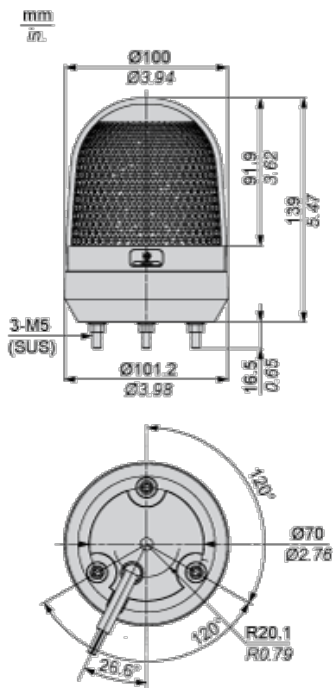
product certifications	CCC
ambient air temperature for operation	-20...50 °C
ambient air temperature for storage	-35...70 °C
relative humidity	35...85 % without condensation
vibration resistance	4.6 gn (sideways) 4.6 gn (inverted) 7.1 gn (upright)
IP degree of protection	IP65 (upright) IP23 (sideways) IP23 (inverted)

Offer Sustainability

Sustainable offer status	Green Premium product
RoHS (date code: YYWW)	Compliant - since 1346 - Schneider Electric declaration of conformity

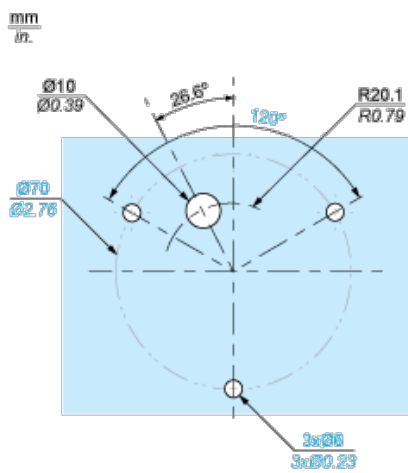
REACH	Reference not containing SVHC above the threshold
Product environmental profile	Available
Product end of life instructions	Available

Dimensions

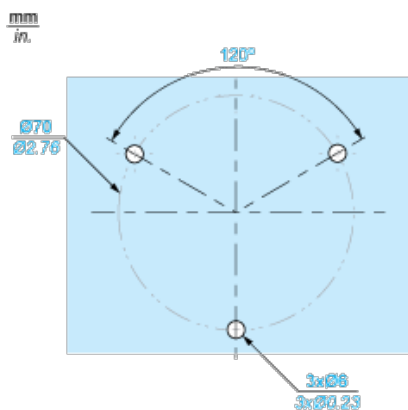


Panel Cut-out

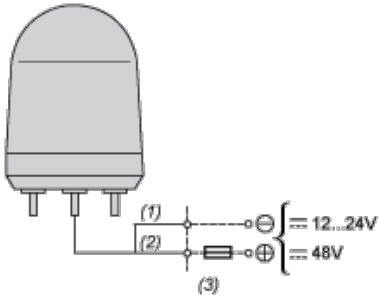
Straight wiring



Side wiring



Wiring Diagram



- (1) Black
- (2) White
- (3) Fuse(Rated Current>2A)