

### Main

|                                    |   |
|------------------------------------|---|
| Range of product                   | Harmony XVR   |
| Product or component type          | Beacon  |
| Device short name                  | XVR3  |
| Beacon or indicator bank unit type | LED unit  |
| Mounting diameter                  | 100 mm  |
| Light source                       | Green LED   |
| Device application                 | Forklift<br>Bulldozer<br>Automated guided vehicle (AGV) |

### Complementary

|                                |   |
|--------------------------------|---|
| Signalling type                | Flashing<br>Blinking<br>Rotating  |
| Assembly style                 | Ready assembled   |
| Material                       | PC (polycarbonate) (lenses)<br>PBT (polybutylene terephthalate) + PC (polycarbonate) (body)<br>EPDM (ethylene propylene diene monomer) (base) |
| [Us] rated supply voltage      | 48 V DC   |
| [Ue] rated operational voltage | 35...60 V DC  |
| Inrush current                 | 1 A   |
| Power consumption in W         | 3 W   |
| Marking                        | CE  |
| Installation direction         | Upright (indoor)<br>Sideways (indoor)<br>Inverted (indoor)<br>Upright (outdoor)   |
| Electrical insulation class    | Class II  |
| Current consumption            | 1000 mA   |
| Length                         | 100 mm  |
| Width                          | 100 mm  |
| Height                         | 139 mm  |
| Product weight                 | 0.484 kg  |

### Environment

|                                       |  |
|---------------------------------------|--|
| product certifications                | CCC  |
| ambient air temperature for operation | -20...50 °C  |
| ambient air temperature for storage   | -35...70 °C  |
| relative humidity                     | 35...85 % without condensation                             |
| vibration resistance                  | 4.6 gn (sideways)<br>4.6 gn (inverted)<br>7.1 gn (upright) |
| IP degree of protection               | IP65 (upright)<br>IP23 (sideways)<br>IP23 (inverted)       |

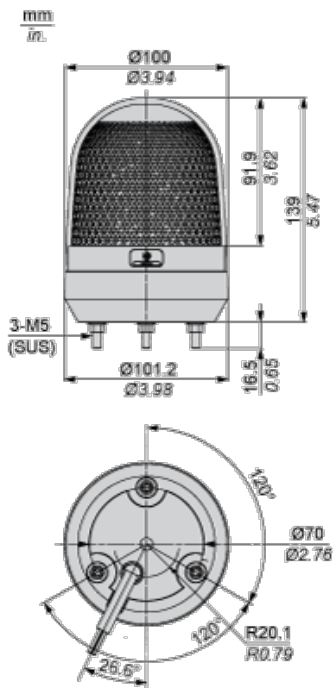
### Offer Sustainability

|                          |   |
|--------------------------|---|
| Sustainable offer status | Green Premium product   |
| RoHS (date code: YYWW)   | Compliant - since 1346 - Schneider Electric declaration of conformity |

The information provided in this documentation contains general descriptions and/or technical characteristics of the performance of the products contained herein. This documentation is not intended as a substitute for and is not to be used for determining suitability or reliability of these products for specific user applications. It is the duty of any such user or integrator to perform the appropriate and complete risk analysis, evaluation and testing of the products with respect to the relevant specific application or use thereof. Neither Schneider Electric Industries SAS nor any of its affiliates or subsidiaries shall be responsible or liable for misuse of the information contained herein.

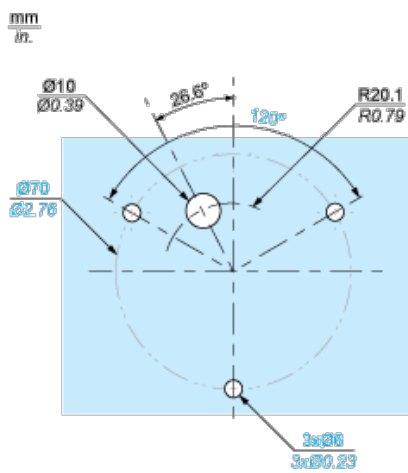
|                                  |   |
|----------------------------------|---|
| REACH                            | Reference not containing SVHC above the threshold |
| Product environmental profile    | Available   |
| Product end of life instructions | Available   |

## Dimensions

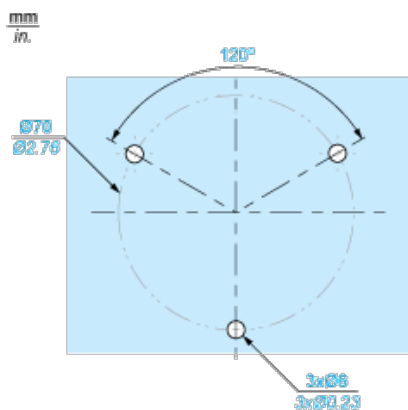


## Panel Cut-out

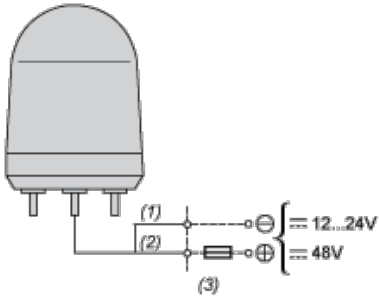
### Straight wiring



### Side wiring



## Wiring Diagram



- (1) Black
- (2) White
- (3) Fuse(Rated Current>2A)