

DATASHEET

755PSMA4

240V a.c. Mains Power Photoelectric Smoke Alarm with 9V d.c. Battery Backup, Gen 4

Application

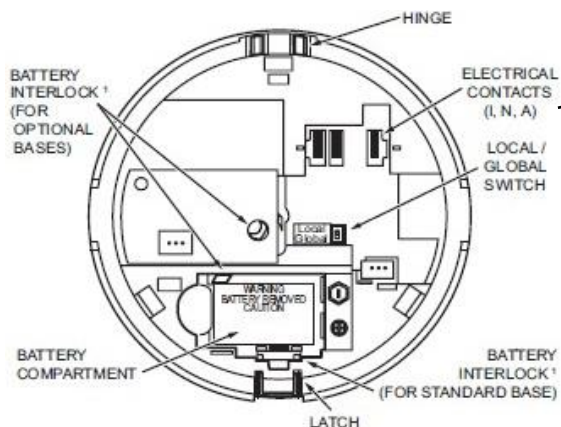
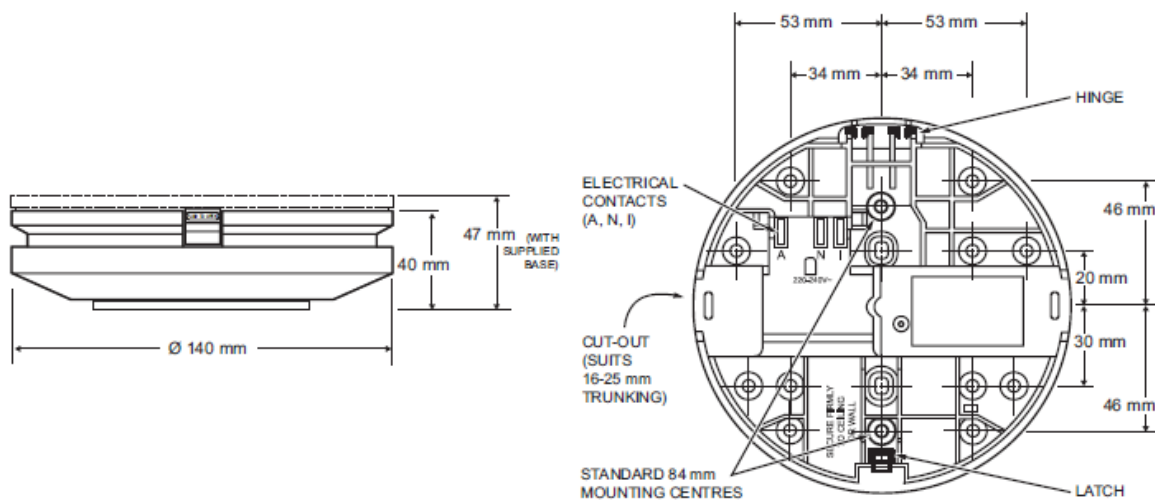
The 755PSMA4 smoke alarm is a photoelectric smoke alarm that can be used as a single mains powered, battery backed alarm or can be interconnected with other 755 series smoke alarms to give whole home protection. It is designed to be surface mounted on the ceiling.

When used with the 755RFB (wireless mounting base), the alarm can offer wireless or wired interlinking capabilities as well as remote test/hush wired functionality.

When used with the 755RB (relay mounting base), the alarm can be used to connect to 3rd party devices such as lights, sirens and home automation systems through a voltage free change-over contact.

Features

- Photoelectric technology for detection of smoldering fire types (most common fire types in homes)
- Wired interconnect feature (up to 40 alarms)
- Compatible with optional relay or wireless interconnect bases
- Quality optical chamber with insect screen protection
- Easy to use test/hush button
- Easy installation and maintenance with flip-down design
- Compatible with 755PSMA/2 and 755SMA mounting bases.
- Robust digital design for optimum performance and resilience
- Certified to AS3786:2014



NOTE - Local/Global Switch - defines the relay trigger function on the optional 755RB relay base only.

Life Is On

CLIPSAL
by Schneider Electric

Specifications

Main Power Source	220-240 V a.c., 50 Hz
Secondary Power Source:	9 V d.c. carbon zinc or alkaline battery (supplied with quality energiser battery)
Operating Current:	≤40 mA
Standby Power	< 3mW
Battery Life:	One year
Sensing Type:	Photoelectric. This alarm contains NO radioactive material
Insect Screen:	1.2mm diameter PC mesh mitigates insect ingress into sensing chamber.
Operating Temperature:	0 °C to 45 °C
Ambient Humidity:	Ambient Humidity: 5% to 95%
Interconnecting:	40 alarms over 150 metres maximum (20 alarms for wireless)
Terminal Provisions:	Active, Neutral, Loop and Interconnect terminals, each accommodates 2 × 1.5 mm ² , min cable size: 1mm ²
Horn Level:	85 dB at three metres minimum
Visual Indicators:	Green LED for mains power ON Red LED for warning and low battery indication
Approvals:	Activfire SAI Global RCM
Complies with:	AS3786:2014 and AS/NZS60065:2012

Ordering details

Catalogue No.	Description
755PSMA4	240V a.c. Mains Power Photoelectric Smoke Alarm with 9V d.c. Battery Backup, Gen 4
755RLPSMA4	240V a.c. Mains Power Photoelectric Smoke Alarm with Rechargeable Battery Backup, Gen 4
Accessories	
755RB	Smoke Alarm Mounting Base with Integrated Relay
755RFB	Smoke Alarm Mounting Base with Wireless Interconnect

Schneider Electric (Australia) Pty Ltd

Contact us: clipsal.com/feedback

National Customer Care Enquiries:

Tel 1300 2025 25 Fax 1300 2025 56

New Zealand National Customer Care Enquiries:

Tel 0800 652 999 Fax 0800 101 152

Life Is On

CLIPSAL
by Schneider Electric

Schneider Electric (Australia) Pty Ltd reserves the right to change specifications, modify designs and discontinue items without incurring obligation and whilst every effort is made to ensure that descriptions, specifications and other information in this catalogue are correct, no warranty is given in respect thereof and the company shall not be liable for any error therein.

© 2015 Schneider Electric. All Rights Reserved.

Trademarks are owned by Schneider Electric Industries SAS or its affiliated companies.