

Data Sheet

Ceiling Exhaust Fan - Ducted



CAT NO. EFD01RDWE, EFD01RDMS, EFD01SQWE



EFD01RDWE



EFD01RDMS



EFD01SQWE

Cat No.	EFD01RDWE	EFD01RDMS	EFD01SQWE
Description	Round ducted ceiling exhaust fan		Square ducted ceiling exhaust fan
Colour	White	Matt Silver	White
Supply voltage	230-240V a.c. 50 Hz		
Exhaust fan	Centrifugal		
Max airflow	330m ³ /h		
Fascia size	Ø372mm		350 x 350mm
Fascia protrusion	26mm		
Projection into ceiling	190mm		
Cut-out size	Ø298mm		
Weight excluding packaging	2.30kg		2.35kg
Power cord length	700mm		
Warranty	3 years		

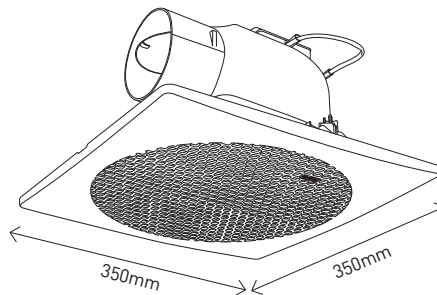
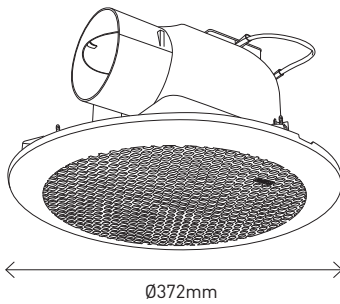
Ceiling Exhaust Fan - Ducted

CAT NO. EFD01RDWE, EFD01RDMS, EFD01SQWE



- Ideal for bathrooms, kitchens and laundries
- Whisks away steam and odours
- Helps prevent build up of mould, mildew and fogging mirrors
- Strong air extraction, up to 330m³/h
- Easy plug-in connection
- UV resistant plastic
- 3-year warranty

Single product			
Cat No.	Dimensions (WxHxD)	Weight	Barcode
EFD01RDWE	410 x 372 x 210mm	3.15kg	9321001455462
EFD01RDMS	410 x 372 x 210mm	3.15kg	9321001455967
EFD01SQWE	410 x 372 x 210mm	3.10kg	9321001455455



HPM Legrand - AUS
1300 369 777
www.hpm.com.au
ABN 31 000 102 661

HPM Legrand - NZ
0800 476 009
www.hpm.co.nz

Refer to your group buying office, HPM Legrand Sales Representative or HPM Legrand Sales Office for pricing.

Please note: specifications are subject to change without prior notice.