

Weatherproof switches IP66



1 gang switch



2 gang switch

Features

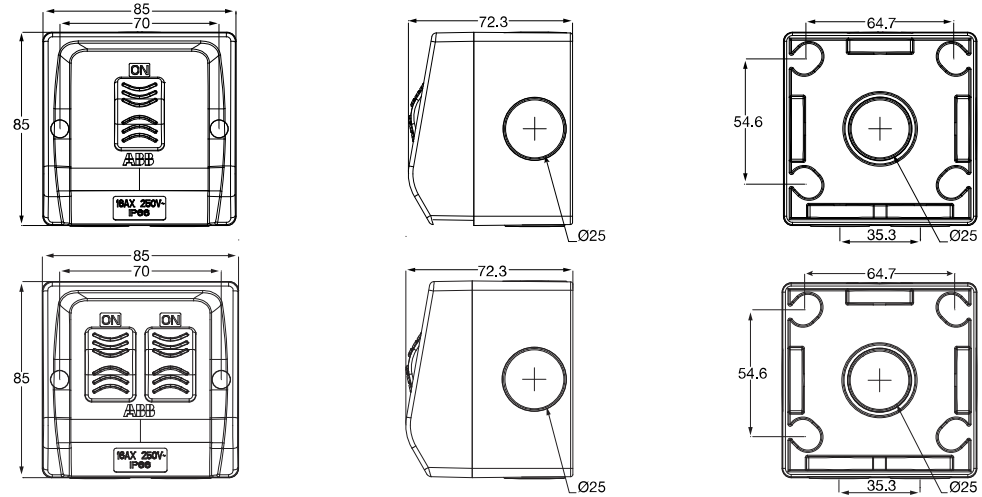
- UV stabilized Polycarbonate
- Easy to grip toggles even when operating with bulky gloves
- IP66 protection rating

Technical specification

Standard specifications	AS/NZS 3133:2013
	AS/NZS 3100:2009
Rated voltage	250 VAC
Rated current	16 AX
Degree of protection	IP66

Ordering details

Type	Order code
1 gang switch	WSW211
2 gang switch	WSW221



Weatherproof sockets IP53



1 gang switched socket outlet



2 gang switched socket outlet

Features

- UV stabilized Polycarbonate
- Easy grip toggles even when operating with bulky gloves
- IP53 protection rating

Technical specification

Standard specifications	AS/NZS 3112:2011
Rated voltage	250 VAC
Rated current	10 A
Degree of protection	IP53

Ordering details

Type	Order code
1 gang switched socket outlet	WSO110
2 gang switched socket outlet	WSO210

