

TWINSPOT PROFESSIONAL

EV-TWINSPOT-WP-PRO-B

Twinspot Professional IP65 Emergency Luminaire

FEATURES

- Emergency output of 2 x 208 lm
- Soft-start charger to reduce building load
- Selectable discharge rating for hazardous areas
- Fast emergency switch-over (<0.5s) for high-task areas
- Long life electronics
- 12 years design life at max. ambient
- High Quality Lithium battery (LiFePO4) and smart charger
- Standalone (SPU)
- Self test (AS2293/ IEC62034)
- DALI (IEC62386-202) DT1
- Ektor wired monitored system

ORDERING INFORMATION

Order code	01707
Description	Ektor Twinspot emergency IP65 luminaire - Black - PRO
Driver Type	DALI DT1 Emergency
Item Code	EV-TWINSPOT-WP-PRO-B

MECHANICAL

Adjustability	Adjustable
Body Material	Polycarbonate
Diffuser Material	Polycarbonate
Fitting Colour	Black
IK Rating	IK08
Installation Type	Surface mount
IP Rating	IP65

ELECTRICAL

Electrical Rating	Class I
Input Current	0.1 A
Input Frequency	50 Hz
Input voltage	230Vac

In Australia the Input voltage is defined as 230Vac -6%/+10%. This effectively means that the voltage range of these products are 216Vac - 253Vac or 240V +6%

Maximum Wattage	3 W
Standby Power	0.25 W

Standby power for non-maintained/switched maintained emergency devices is measured when the light is off and the charger is in standby mode. For



maintained emergency devices, standby power is measured when the light is on and the charger is in standby mode. Typically, charging occurs for the first 16 hours after the device is powered or after a battery discharge.

Working Temp Range	0 to 40 °C
---------------------------	------------

LAMP

Lamp/LED Current	600 mA
Lamp/LED voltage	9 V

COLOUR TEMPERATURE

LED Wattage	4.7 W
--------------------	-------

DRIVER

Dimmable	No
Driver Included	Yes
Driver Type	DALI DT1 Emergency
Wiring Type	Re-wireable terminal block (6 pin)

EMERGENCY (EM SUFFIX)

Replacement Battery Code	01303
Emergency Control	DALI Monitored (DT1)
DALI Monitored ~ Supports Emergency test and monitoring over DALI (IEC62386) with full compliance to IEC62386-202.	
Emergency Duration	90 mins
Emergency Lumen Output	416 lm
Emergency Mode	Non-Maintained
Emergency Output Power	5500 mW

COMPLIANCE

Product Design Life 12 years

The product design life relates to the total product life which includes LEDs, drivers and the enclosure. This is different to the LED lifetime which only refers to the economical lifetime of the LEDs at which time the lumen output has dropped below the L Value. The product design life is calculated at the maximum ambient or working temperature of the product and takes into account the Daily Use.

Standards

- AS/NZS 60598.1
- AS 60598.2.22
- AS/NZS 61347.1
- AS/NZS 61347.2.13
- AS CISPR 15
- AS/NZS 2293.3

WARRANTY

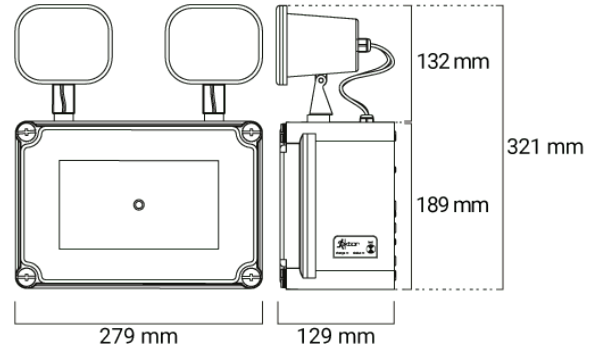
Commercial Use Warranty 8 RTB (Total 8 Years)

DIMENSIONS

Product Height	129 mm
Product Length	279 mm
Product Width	321 mm

LINE DRAWINGS

EV/TWINSLOT/WP/PRO



PHOTOMETRICS

EV/TWINSLOT/WP/PRO/B_1707_2hr

