

LED FIRE PRO



PROFESSIONAL



BLACK MODEL AVAILABLE

FEATURES

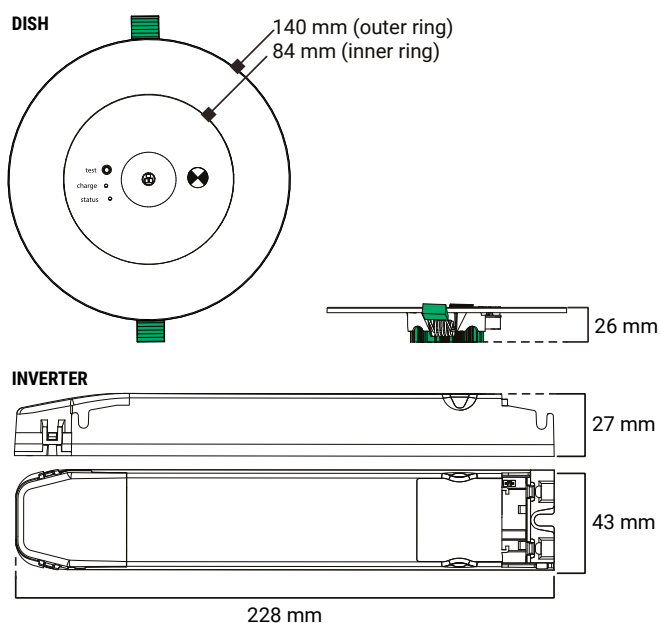
- Fully compliant (**AS/NZS 2293**)
- Average power consumption **<0.25W**
- Works as Single Point Units (**SPU**) out of the box
- Fast emergency switch-over (**<0.5s**) for high task areas
- High Quality Lithium batteries (**LiFePO₄**) and smart charger

D63 CLASSIFICATION
Light coverage for emergency light

 **SELF TEST**
Commission the product to perform its own tests

 **DALI CERTIFIED**
Connect to a DALI system for DALI testing

 **ECO FRIENDLY**
Using a High Quality Lithium battery (LiFePO₄)



PRODUCT RANGE

ORDER CODE	PRODUCT NUMBER	SKU	QTY
EV-LED FIRE-PRO Pro Ledfire Emergency Luminaire	9336462016947	01694	4
EV-LED FIRE-PRO-B Pro Ledfire Emergency Luminaire, Black	9336462016978	01697	4

GENERAL FEATURES

- Non-maintained operation
- Soft-start charger to reduce building load
- Lowest energy consumption (avg. <0.25W)
- Selectable discharge rating for hazardous areas
- Fast emergency switch-over (<0.5s) for high-task areas

BUILT TO LAST

- Long life electronics
- 10 Years Design Life – 100,000 hours at max. ambient
- High Quality Lithium battery (LiFePO₄)

SUITABLE INSTALLATION TYPES (OUT OF THE BOX)

- Standalone (SPU)
- Self test (AS2293/ IEC62034)
- DALI (IEC62386)
- Ektor wired monitored system

ACCESSORY RANGE

ORDER CODE	DESCRIPTION
EV-LED FIRE-PRO-RD	Ledfire Replacement dish
EV-LED FIRE-PRO-B-RD	Ledfire Replacement dish Black
EV-3000MAH-6.4V-LIFEPO4	3000mAh 6.4V 2 Cell LiFePO ₄ Battery
EV-CMS-2.4M-5PIN	CMS 5 Pin Plug Set, 2.4M
EV-WAGO-2.4M-F&P	WAGO Plug 5-P Blue 51110475, 2.4M
EV-WIELAND-2.4M-F&P	Wieland Plug GST1815S B1 ZR1 S PB02, 2.4M
EV-WIREDBYCLICK-2.4M-F&P	Wire By Click 5-Pin Lead L1025/5, 2.4M
EV-CMS-2.4M-6PIN	CMS 6 Pin Plug Set, 2.4M

OPERATIONAL INFORMATION

GENERAL			
Voltage	240V~ 50Hz		
Ambient temp.	0 to 40°C		
Class	2		
IP rating	IP20		
Wiring	Flex and Plug		
Mounting type	Recessed		
EMERGENCY			
Rated duration	90 / 120 min (1 / 3 / 4 / 8 hours, selectable)		
Rated lumens	380 lm (2 hr)		
Lamp power	4.3W		
Classification	D63		
BATTERY	CHARGE		
Type	LiFePO ₄	Type	Smart charge
Voltage	6.4 V	Time	16 Hours
Codes	01303	Operation	Adjustable

CONSTRUCTION

Inverter	PC V0, 850 glow wire
Dish	PC V2, 750 glow wire
Cut out	Ø 70 mm - inner ring Ø 75 - 130 mm - outer ring

COMPLIANCE

Standards	AS/NZS 60598.2.22 AS/NZS 2293.3 IEC 60598-2-22	IEC 62386-102 IEC 62386-202	IEC 62034 CISPR 15
-----------	--	--------------------------------	-----------------------

NOTE: For more information on the chemical resistance of our polycarbonate or our compliance documentation, please see our website.

TOTAL POWER CONSUMPTION (TPC)

MAX.	AVG.
3 W	< 0.25 W

NOTE: Average power consumption calculated with the assumption of four emergency events per year and that the battery charger is in standby at all other times (above typical usage).

EMERGENCY PERFORMANCE

HOUR	1	2	3	4	8	CB
Classification	D63	D63	D40	D32	D20	D40

SPACING TABLE (D63 - 0.2 LUX)

2005

MOUNTING HEIGHT (M)							
2.1	2.4	2.7	3	3.3	3.6	4	4.5
19.4	20.3	21.1	21.8	22.4	23.0	23.7	24.5
5	6	7	8	9	10	15	20
25.2	26.4	27.4	28.1	28.6	28.9	28.0	22.5

ektor.com.au
E: sales@evolt.com.au
P: 1300 4EVOLT (438 658)

evolt
the electrical evolution

Ektor is dedicated to continuous product improvement. Datasheet is subject to change without notice, E&OE. Images are for illustrative purposes only.