

# TIMBER FRAME LOFT MOUNT

## Installation Instructions

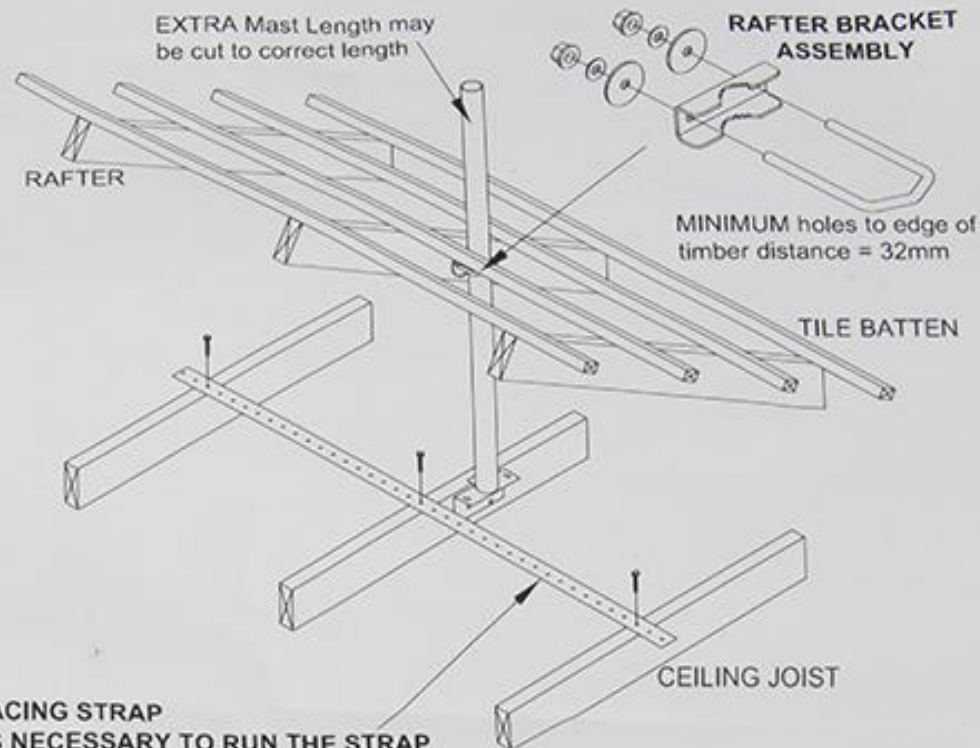
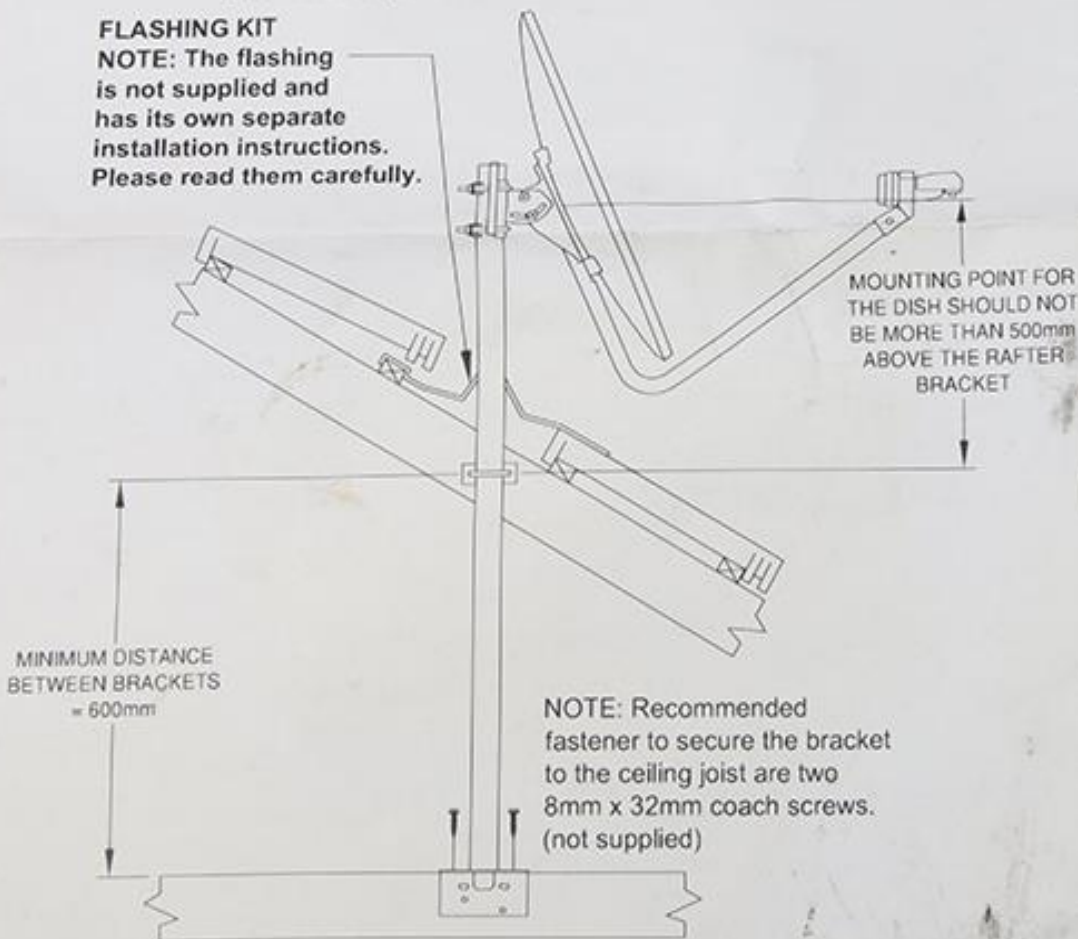
**Site Selection:** Carefully inspect the section of roof chosen for the satellite dish to verify that it is in good condition and structurally sound. The customer must be consulted to ensure that the mount location is satisfactory. Advise the customer of the roofing manufacturer's recommendations concerning maintenance of the roof to ensure a long service life; in particular the regular cleaning of salty deposits, industrial dirt, vegetable material and other debris.

**Safety:** Beware of the danger of live electrical cables behind the building cladding. The use of an earth leakage protection safety device when drilling is recommended.

**Wind Loads:** Loft Mount has been designed for 65 and 80cm satellite dishes. It is suitable for 65cm installations in wind classifications up to N4/C2, and 80cm installations in wind classifications up to N3/C1.

### FLASHING KIT

**NOTE:** The flashing is not supplied and has its own separate installation instructions. Please read them carefully.



**BRACING STRAP**  
IT IS NECESSARY TO RUN THE STRAP SUPPLIED ACROSS TWO ADJOINING CEILING JOISTS AND SECURELY FASTEN WITH THE SCREWS SUPPLIED

