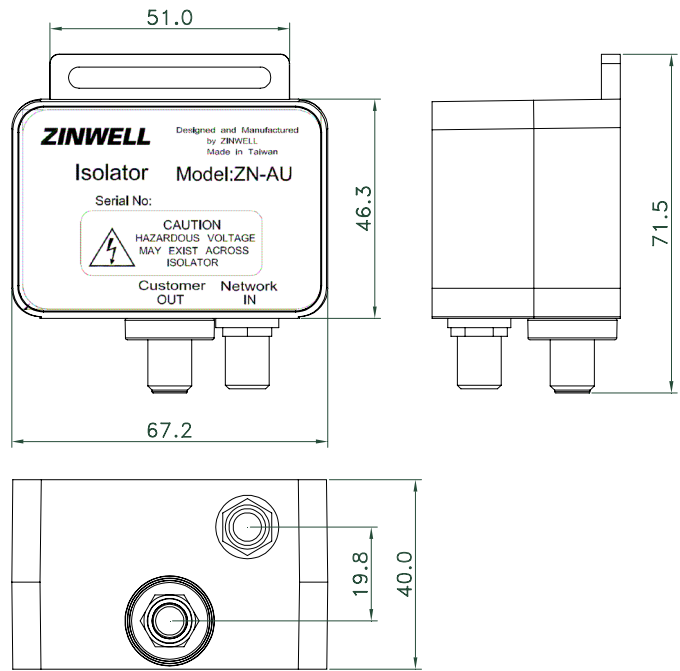


## 900MHz 1-Way Isolator

Customer  
ZINWELL-Australia

Model Name  
ZN-AU



### Mechanical Specification

1	Housing_DC3025	Material : Alum alloy Die-casting	Finishing : Chromate Coating
2	Connector	"F" Female	
3	Net Weights	157 g	

### Electrical Specification

Item	Description	Freq. Range (MHz)	Specifications		
1	Insertion Loss	IN - OUT	Operating Temp	+5 ~ +35 °C	-5 ~ +60 °C
			5 ~ 10	1.5 dB max.	2 dB min.
			10 ~ 900	1.5 dB max.	1.5 dB min.
2	Return Loss	IN / OUT	5 ~ 10	16 dB min.	11 dB min.
			10 ~ 65	18 dB min.	16 dB min.
			65 ~ 500	18 dB min.	18 dB min.
			500 ~ 900	16 dB min.	16 dB min.
3	Group delay	@ 5MHz	< 10 nS		
4	Leakage Current	@ 240V RMS 50 Hz	< 1 mA RMS		
5	Insulation Resistance	@ 500V DC	> 3MΩ		
6	AC Withstand		3 KV RMS 50 Hz		
7	Impulse Withstand		7 KV 10/ 700 us		
8	Capacitance Limit		< 7 nF		
9	Screening	(According to EN50083-2)	Class B		
10	Impedance		75 Ω		

Approved by Customer	Drawing	Checked	Approved
	何 15.3.31 若福	J 12	SL