

Linear Mini LED



Linear Mini



FEATURES

- /// 3 year In Home warranty
- /// Excellent airflow 480m³ / h
- /// Long life ball bearing motor
- /// Quiet operation
- /// Turbo fan blade
- /// Duct outlet (120mm diameter)
- /// Efficient 1000w halogen heat lamp included
- /// 3x 6w COB GU10 LED lamps included (MBGU306)
- /// 1x 3-gang switch included
- /// Draft stopper, side ducting, and grill included
- /// Remote control adaptable

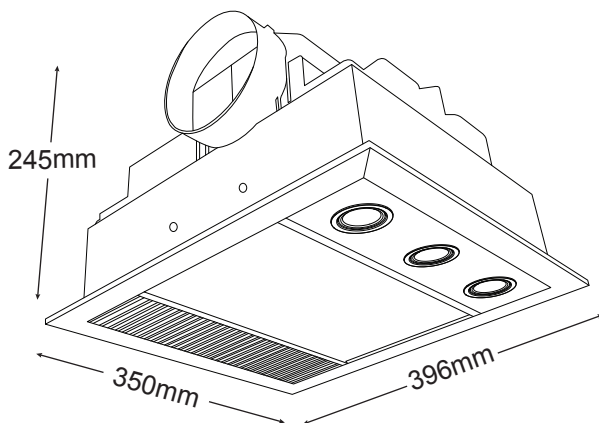


MBHM1000S



MBHM1000W

DIAGRAM



1 x 1000w Halogen Heat Lamp

3 x 6w COB GU10 LED Lamps

CUT OUT SIZE 350 x 305mm

GRILL SIZE 396 x 350mm

LUMEN 1080

Minimum ceiling depth of 245mm is required