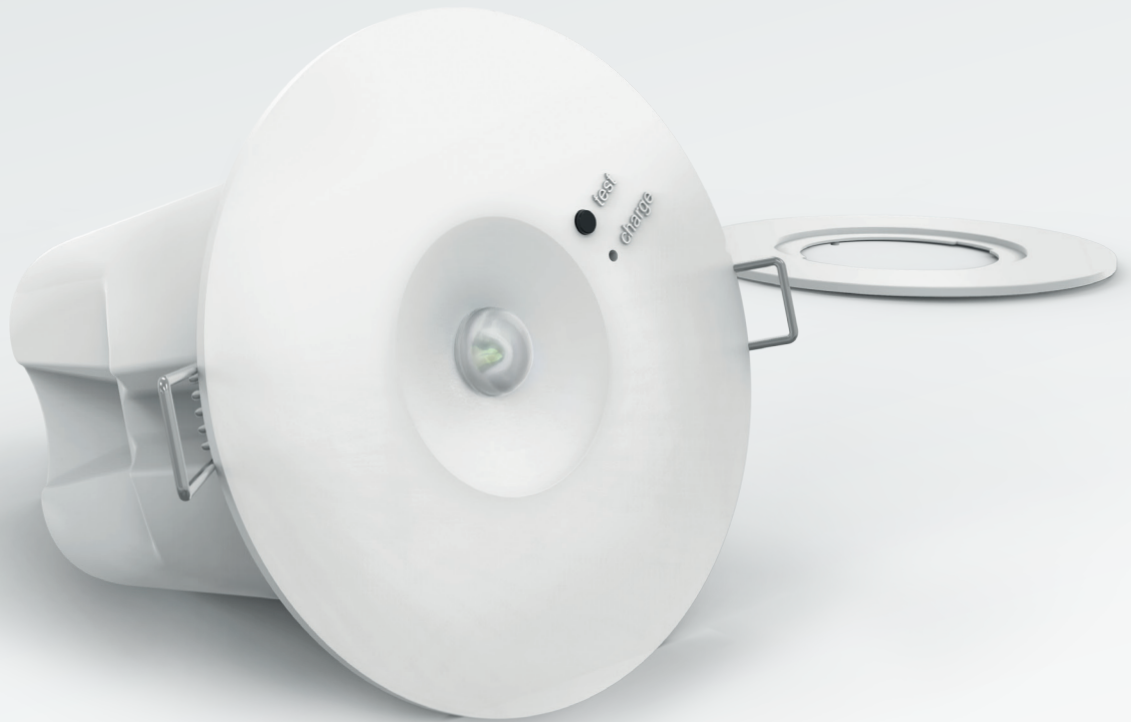




LED FIRE BASIC



FEATURES

- Long life electronics
- Low energy consumption
- Emergency output 140 lm
- Compliant emergency lighting
- High Quality Lithium batteries (LiFePO₄)
- Includes outer ring to suit hole sizes up to 130 mm



SELF-CONTAINED

Fully self-contained inbuilt battery and control gear



CORRIDOR LENS

Snap-on lens to suit escape route lighting



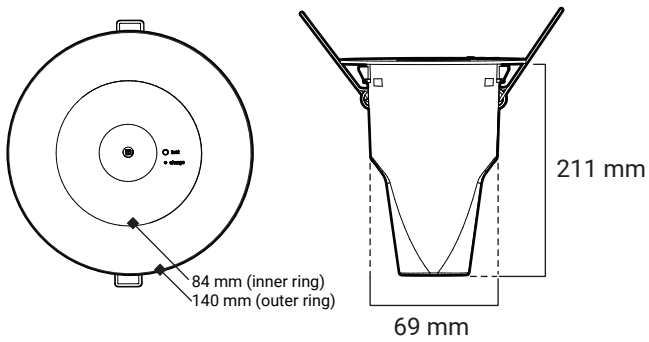
SINGLE POINT UNIT

Ektor products work as SPUs out of the box



WIDE AREA LENS

Snap-on lens to suit open plan areas



PRODUCT RANGE

ORDER CODE	QTY
EV-LED FIRE-BASIC Ledfire Basic Emergency Luminaire	4

FEATURES

- Long life electronics
- Low energy consumption
- Emergency output 140 lm
- Compliant emergency luminaire
- High Quality Lithium battery (LiFePO₄)
- High ambient temperature rating (40°C)
- Includes outer ring to suit hole sizes up to 130 mm
- 4 Years Design Life – 35,000 hours at max. ambient*
- Wide Area and Corridor mode snap-on lenses available

*Excludes battery

ACCESSORY RANGE

ORDER CODE	DESCRIPTION
ZC-BATT-3000MAH-1	zencontrol 3000mAH 3.2V 1 Cell LiFePO ₄ Battery

OPERATIONAL INFORMATION

GENERAL

Voltage	~230V
Frequency	50Hz
Ambient temp.	0 - 40°C
Class	2
Wiring	Soft wiring
Mounting type	Recessed
IP rating	IP20
LED wattage	1.5 W
Avg. circuit power	0.45 W
Max. circuit power	2 W

EMERGENCY

Rated duration	3 hours
Rated lumens	140 lm

COMPLIANCE

Standards	IEC 60598-2-22 CISPR 15 EMC-2004/108/EC LVD-2006/95/EC
-----------	---

BATTERY		CHARGE	
Type	LiFePO ₄	Type	Variable
Voltage	3.2 V	Time	16 Hours
Code	zc-batt-3000mah-1		

CONSTRUCTION

Body	PC
Dish	PC
Cut out	70 mm inner / 75 - 130 mm outer ring

NOTE: For more information on the chemical resistance of our polycarbonate, please see our website.