

## HNS070UC OWNER'S MANUAL



Scan our QR code with your phone to go directly to our website for technical information



### 1. FEATURES

- Suits Apple™, Samsung™ and all other smartphones, tablet brands or portable USB devices
- Fit up to six (6) USB Chargers in 1 wall plate
- High efficiency, only 50mW standby power
- Requires Neutral
- Suits popular wall plates style such as Clipsal, HPM, Legrand - bezels included



### 2. OPERATING CONDITIONS

- Operating Voltage: 230Va.c. (50mA) 50Hz
- Output: 5W, 5V=== 1A
- Operating Temperature: 0 to +50 °C
- Certified Standard: AS/NZS 60950-1, CISPR22, AS/NZS 4655 MEPS
- Maximum Load: 5W
- Maximum Current capacity: 1A

Note: Operation at temperature, voltage or load outside of the specifications may cause permanent damage to the unit.

### 3. LOAD COMPATIBILITY

- Suitable for Apple™ iPhones®, iPads®, iPods®
- Suitable for Samsung™ Galaxy Phones and Tablets
- Other applications include
  - Smartphones
  - Tablets
  - Action Cameras
  - eBook Readers
  - GPS Units
  - MP3/ MP4 Players
  - Digital Cameras
  - Any portable USB chargeable devices

**NOTE:** The HNS070UC is designed to charge portable devices with an internal battery it should not be used as a continuous use power supply for devices without a battery.

Note: This manual was correct at the time of manufacture. For the latest version of the manual and any technical or safety updates refer to the website:- [www.sclick.com.au](http://www.sclick.com.au) or scan the QR code with a mobile phone.

## 4. INSTALLATION INSTRUCTIONS

The HNS070UC is to be installed as part of a fixed wire electrical installation. By law such installations must be made by an electrical contractor or similarly qualified person.

- The two USB Charger connections are not polarity sensitive.
- A readily accessible disconnect device, such as a circuit breaker shall be incorporated external to the HNS070UC.

### 4.1 WIRING

- Disconnect power at the circuit breaker before any electrical work.
- Install the HNS070UC as per the wiring diagram in Figure 1.
- Attach the the bezel to the HNS070UC, as per Figure 2.
- Attach the unit to the back of the wall plate.
- Reconnect power at the circuit breaker and affix Solid State Device Warning Sticker at switchboard.

**NOTE:** The HNS070UC is designed for indoor use. It is not rated for outdoor installation. If the HNS070UC is loose in the wall plate, the wall plate should be replaced.

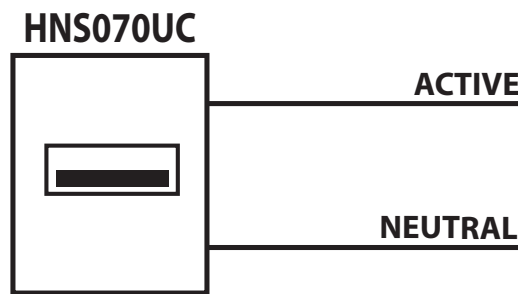


Figure 1: HNS070UC Wiring Diagram

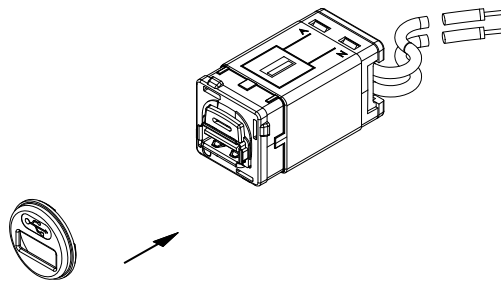


Figure 2: Attach preferred bezel to the HNS070UC

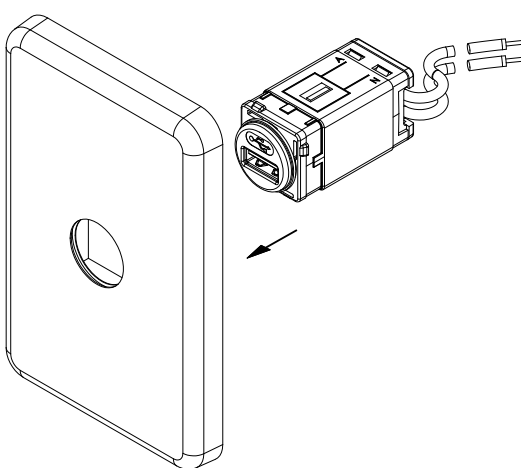


Figure 3: Attach HNS070UC to the wall plate

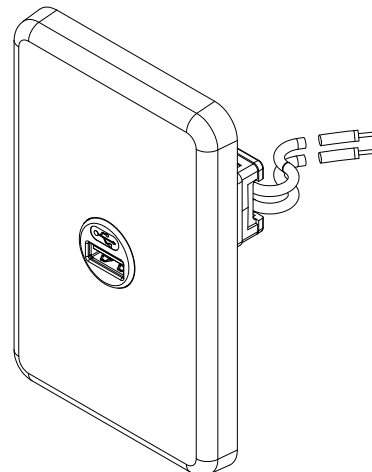


Figure 4: Final assembly

## **5. IMPORTANT SAFETY WARNINGS**

### **5.1 INSTALLATION**

- The HNS070UC is to be installed as part of a fixed wire electrical installation. By law such installations must be made by an electrical contractor or similarly qualified person. Avoid excessive force during installation.

### **5.2 LOW READING DURING INSULATION BREAKDOWN TEST**

- The HNS070UC is a solid state device. Therefore a low reading may be observed when conducting insulation breakdown testing on the circuit.

### **5.3 CLEANING**

- Clean only with a damp cloth. Do not use abrasives or chemicals.

## **6. TROUBLESHOOTING**

### **6.1 CONNECTED DEVICE DO NOT CHARGE**

- Check the USB charge cable is not damaged.
- Check the USB device charges from it's factory supplied charger.

### **6.2 CONNECTED DEVICE CHARGE SLOWLY**

- Check the USB charge cable is not damaged.
- Some no-name or cheap USB cables will limit the charge to the attached device; try using a different cable.
- The USB device may not accept full 5W charging.
- Make sure the attached USB device is in low power state while charging, some tablets can consume between 2W to 5W with the back light ON.

## **7. WARRANTY AND DISCLAIMER**

Legend Corporation Limited warrants the product against manufacturing and material defect from the date of invoice to the initial purchaser for a period of 12 months. During the warranty period Legend Corporation Limited will replace products that prove to be defective where the product has been correctly installed and maintained and operated within the specifications defined in the product data sheet and where the product is not subject to mechanical damage or chemical attack. The warranty is also conditional on the unit being installed by a licensed electrical contractor. No other warranty is expressed or implied.

Legend Corporation Limited shall not be liable for any direct, indirect, incidental or consequential damages.

**Note: This manual was correct at the time of manufacture. For the latest version of the manual and any technical or safety updates refer to the website:- [www.sclick.com.au](http://www.sclick.com.au) or scan the QR code with a mobile phone.**