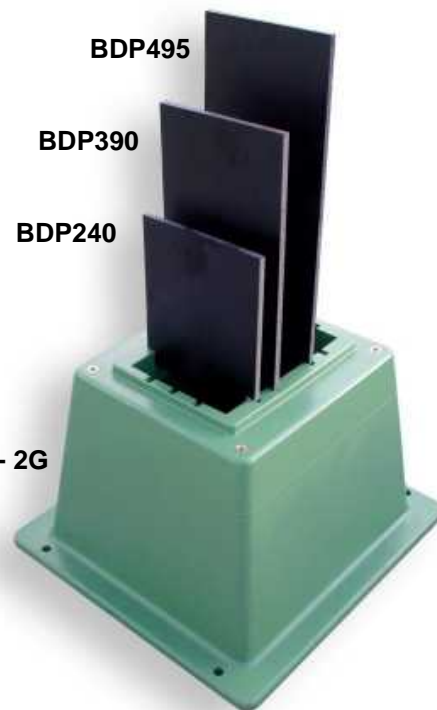
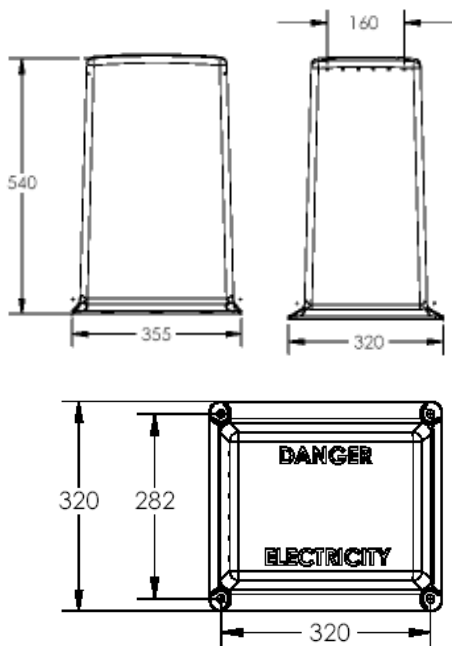




PPB2TVG



****NOTE: BEIGE COLOUR PILLAR AND BASE AVAILABLE ****

CATALOGUE NO.	DESCRIPTION	SIZE (mm)	COLOUR	WEIGHT (kg)
PPB2TVG	POLY PILLAR – VENTED	540H x 355W x 320D	GREEN	2.4
PPB2TVB	POLY PILLAR – VENTED	540H x 355W x 320D	BEIGE	2.4
PB – 2G	POLY BASE – SLOTTED	355H x 556W x 524D	GREEN	2.8
PB – 2B	POLY BASE – SLOTTED	355H x 556W x 524D	BEIGE	2.8
PB – 2G/1	POLY BASE WIDE OPENING	355H x 556W x 524D	GREEN	2.7
PPB2G	POLY PILLAR – NON VENTED	540H x 355W x 320D	GREEN	2.4
PDP190	PLASTIC DISTRIBUTION PANEL	190H x 205W x 10 THICK	BLACK	0.26
PDP280	PLASTIC DISTRIBUTION PANEL	280H x 205W x 10 THICK	BLACK	0.385
BDP390	TYPE X SWITCHPANEL	390H x 205W x 10 THICK	BLACK	1.1
BDP495	TYPE X SWITCHPANEL	495H x 205W x 10 THICK	BLACK	1.4
BDP390W	TYPE X SWITCHPANEL	390H x 283W x 10 THICK	BLACK	1.47
BDP495W	TYPE X SWITCHPANEL	495H x 283W x 10 THICK	BLACK	1.85
PSFB2	SECURITY BOLTS/WASHER	4 PER PILLAR	G304 S/STEEL	
PSDB30	'D' HEAD BOLT/WASHERS (4 PER PILLAR)	4 PER PILLAR	G304 S/STEEL	
SLP – 3	LOCKING PLATE TO SUIT PADLOCK	1 PER PILLAR	G304 S/STEEL	
SLB – 2	LOCKING BOLT FOR SLP-3	1 PER PILLAR	G304 S/STEEL	

The Locking Plate and Bolt are optional. Pillars and Bases are Fire Retardant to 750°C and UV stabilized. Panels are blank unless quoted to include accessories. NATA Test Reports available upon request.



ALLEN KEY OR 'D' BOLT SPANNER



PSFB2



PSDB30



SLB – 2



SLP-3