

GAMMA

VERTICAL DISCHARGE



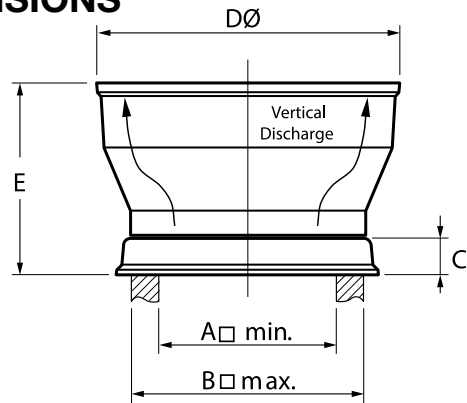
The Gamma Series of centrifugal roof units has been designed for use in commercial ducted exhaust applications. Models CE284V and larger are fitted with bird mesh to prevent the entry of birds and vermin into the ducting or building.

- Robust, lightweight construction.
- Cowls are U.V. stabilised.
- Compact, low profile design.
- Can be used in ducted systems.
- Can be mounted at angles up to 30°.
- Single phase, 240V only.

ACCESSORIES

- Run-on Timers & Speed Controllers.
- A range of upstands are available. For information on suitable upstands contact your local Fantech Trade branch.

DIMENSIONS



MODEL NO.	A □	B □	C	DØ	E	WEIGHT KG
CE192V						
CE224V	260	310	50	430	244	4
CE252V						
CE254V						
CE284V	310	410	75	500	334	8
CE314V						
CE354V	400	500	75	640	417	18
CE404V						

All dimensions in mm

SPECIFICATIONS

MODEL NO.	M ³ /H	L/SEC	NOM. SPEED R/S	AVG. dB(A) @ 3M (INLET)		CE..1 PH.*	
				LOW AIR FLOW	HIGH AIR FLOW	KW	AMPS
CE192V	443	123	42	45	47	0.07	0.30
CE224V	594	165	23	38	39	0.05	0.26
CE252V	972	270	42	56	58	0.19	0.83
CE254V	893	248	23	41	42	0.08	0.37
CE284V	1080	300	23	44	45	0.09	0.40
CE314V	1314	365	23	47	48	0.15	0.66
CE354V	2311	642	23	52	51	0.28	1.25
CE404V	3460	961	23	56	54	0.49	2.20

*Amperages shown are a guide only, refer to our Sales Department for accurate figures at time of order.