

Data Sheet

Como 4 Gang 2-Way Switch, 10A

CAT NO. **CM940/4WE, CM940/4NWE, CM940/4RDWE**



CM940/4WE



CM940/4NWE



CM940/4RDWE

| Cat No | CM940/4WE | CM940/4NWE | CM940/4RDWE |
|-----------------------|----------------------------|--------------------------------------|---|
| Description | Como 4 gang switch, 10A | Como 4 gang switch with red LED, 10A | Como 4 gang switch with red indicator line, 10A |
| Supply voltage | 230 - 240Va.c. | | |
| Current rating | 10AX | | |
| Colour | White (WE) | | |
| Plate size | 116.5 W x 116.5 H x 9 D mm | | |
| Compliance | AS/NZS 3133, AS 1428.1 | | |

Como 4 Gang 2-Way Switch, 10A

CAT NO. **CM940/4WE, CM940/4NWE, CM940/4RDWE**



CM940/4WE



CM940/4NWE



CM940/4RDWE

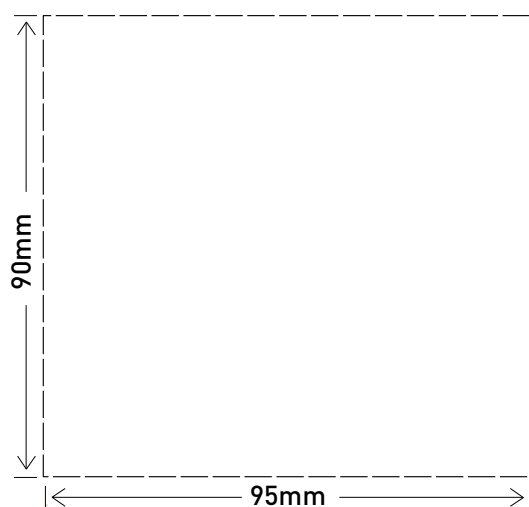
- More fixing options - 4 corners
- Red LED indicator (CM940/4NWE) (externally wired)
- Marked with red indicator line (CM940/4RDWE)

| Single product | | | |
|----------------|-------------------------|--------|---------------|
| Cat No | Dimensions | Weight | Barcode |
| CM940/4WE | 150 W x 230 H x 35 D mm | 0.18kg | 9321001438397 |
| CM940/4NWE | 150 W x 230 H x 35 D mm | 0.19kg | 9321001438403 |
| CM940/4RDWE | 150 W x 230 H x 35 D mm | 0.18kg | 9321001438885 |

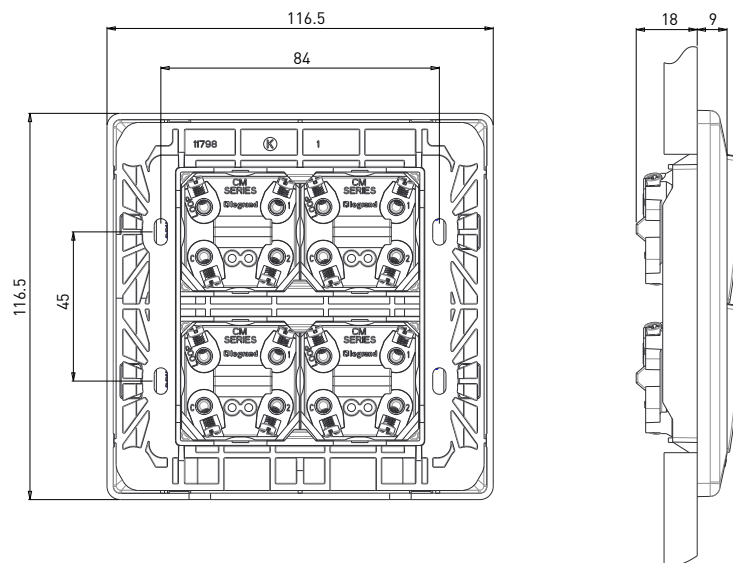
| Inner box (Qty 5) | | | |
|-------------------|--------------------------|--------|---------------|
| Cat No | Dimensions | Weight | Barcode |
| CM940/4WE | 163 W x 163 H x 131 D mm | 0.99kg | 9321001439370 |
| CM940/4NWE | 163 W x 163 H x 131 D mm | 1.06kg | 9321001439387 |
| CM940/4RDWE | 163 W x 163 H x 131 D mm | 0.99kg | 9321001439868 |

| Outer box (Qty 60) | | | |
|--------------------|--------------------------|---------|---------------|
| Cat No | Dimensions | Weight | Barcode |
| CM940/4WE | 330 W x 250 H x 250 D mm | 12.44kg | 9321001440352 |
| CM940/4NWE | 330 W x 250 H x 250 D mm | 13.28kg | 9321001440369 |
| CM940/4RDWE | 330 W x 250 H x 250 D mm | 12.44kg | 9321001440840 |

Cut out size



Dimensions



HPM Legrand - AUS
1300 369 777
www.legrand.com.au
ABN 31 000 102 661

HPM Legrand - NZ
0800 476 009
www.legrand.co.nz

Refer to your group buying office, HPM Legrand Sales Representative or HPM Legrand Sales Office for pricing.