

Data Sheet

Como 2 Gang 2-Way Vertical Switch, 10A

CAT NO. CM920/2WE, CM920/2NWE, CM920/2RDWE



CM920/2WE



CM920/2NWE



CM920/2RDWE

Cat No	CM920/2WE	CM920/2NWE	CM920/2RDWE
Description	Como 2 gang vertical switch, 10A	Como 2 gang vertical switch with red LED, 10A	Como 2 gang vertical switch with red indicator line, with 10A
Supply voltage	230 - 240Va.c.		
Current rating	10AX		
Mounting centre	84mm		
Colour	White (WE)		
Plate size	72.5 W x 116.5 H x 9 D mm		
Compliance	AS/NZS 3133, AS 1428.1		

Como 2 Gang 2-Way Vertical Switch, 10A

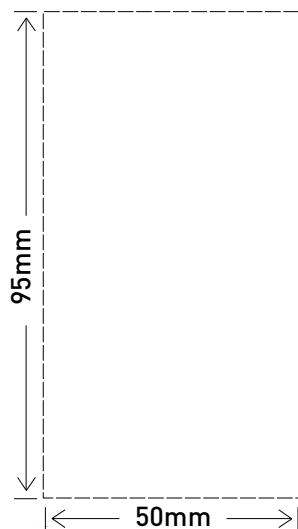
CAT NO. **CM920/2WE, CM920/2NWE, CM920/2RDWE**



CM920/2WE CM920/2NWE CM920/2RDWE

- More fixing options - 4 corners
- Red LED indicator (CM920/2HNWE) (externally wired)
- Marked with red indicator line (CM920/2RDWE)

Cut out size

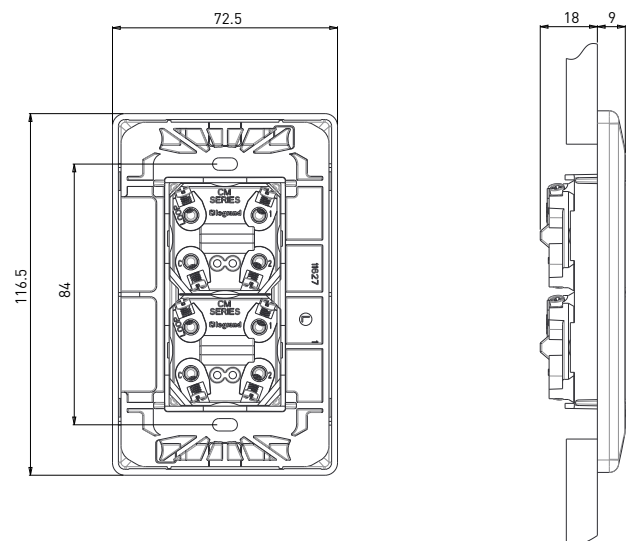


Single product			
Cat No	Dimensions	Weight	Barcode
CM920/2WE	110 W x 170 H x 35 D mm	0.10kg	9321001438236
CM920/2NWE	110 W x 170 H x 35 D mm	0.10kg	9321001438243
CM920/2RDWE	110 W x 170 H x 35 D mm	0.10kg	9321001438939

Inner box (Qty 10)			
Cat No	Dimensions	Weight	Barcode
CM920/2WE	163 W x 163 H x 131 D mm	1.05kg	9321001439219
CM920/2NWE	163 W x 163 H x 131 D mm	1.06kg	9321001439226
CM920/2RDWE	163 W x 163 H x 131 D mm	1.05kg	9321001439912

Outer box (Qty 120)			
Cat No	Dimensions	Weight	Barcode
CM920/2WE	330 W x 250 H x 250 D mm	13.22kg	9321001440192
CM920/2NWE	330 W x 250 H x 250 D mm	13.30kg	9321001440208
CM920/2RDWE	330 W x 250 H x 250 D mm	13.22kg	9321001440895

Dimensions



HPM Legrand - AUS
1300 369 777
www.legrand.com.au
ABN 31 000 102 661

HPM Legrand - NZ
0800 476 009
www.legrand.co.nz

Refer to your group buying office, HPM Legrand Sales Representative or HPM Legrand Sales Office for pricing.