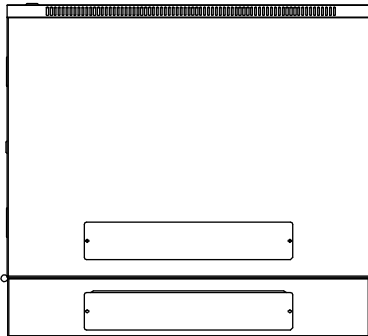
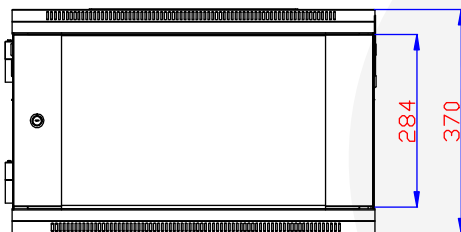


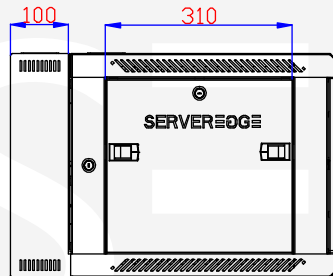
# SERVEREDGE



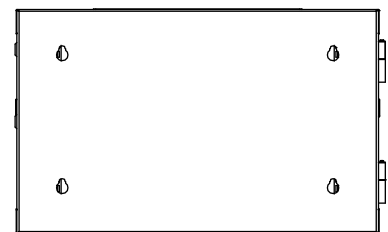
Bottom



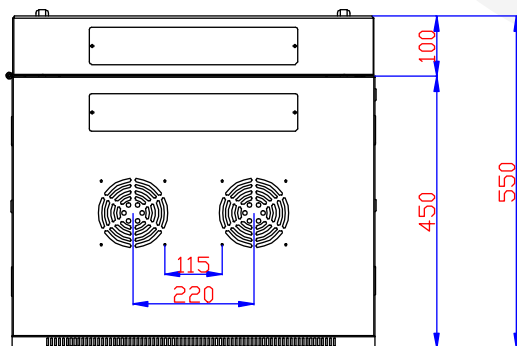
Front



Side



Rear



Top

## Serveredge 6RU 600MM WIDE & 550MM DEEP FULLY ASSEMBLED SWING FRAME HINGED WALL MOUNT SERVER CABINET

SERVEREDGE PART NUMBER  
**CBN-6RU-66WM**

### Package Includes

- \* 1 x CBN-6RU-66WM Wall Mount Rack
- \* 20 x M6 screws
- \* 20 x M6 cage nuts
- \* 20 x M6 washers
- \* 2 x Keys
- \* 1 x Owner's Manual

### Physical Specifications

Installed whole system maximum rack depth (mm) : 450.0  
 Rack Height : 6RU  
 Shipping Dimensions (WDH/mm) : 650 X 600 X 420  
 Shipping weight (kg) : 22  
 Unit Dimensions (WDH/mm) : 600 X 550 X 370  
 Unit weight (kg) : 19.5  
 Colour : Black  
 Weight Capacity - Stationary (kg) : 80  
 Grounding lug : Front and Back Door Frames