



# MASTER CityWhite CDO-TT



## MASTER CityWhite CDO-TT Plus 150W/828 E40

Ceramic metal halide lamp with clear tubular outer bulb shape, used in outdoor offering pleasant white light

### Warnings and Safety

- Use only in totally enclosed luminaire, even during testing (IEC61167, IEC 62035, IEC60598)
- The luminaire must be able to contain hot lamp parts if the lamp ruptures
- Lamps may use electromagnetic control gear or electronic gear suitable to drive CDO lamps (e.g. HID-PV Xt CDO)
- Control gear must include end-of-life protection (IEC61167, IEC 62035)
- Warm restart time can be up to 15 minutes; T15 ignitors therefore advised
- A lamp breaking is extremely unlikely to have any impact on your health. If a lamp breaks, ventilate the room for 30 minutes and remove the parts, preferably with gloves. Put them in a sealed plastic bag and take it to your local waste facilities for recycling. Do not use a vacuum cleaner.

### Product data

General information	
Cap-Base	E40 [ E40]
Operating Position	UNIVERSAL [ Any or Universal (U)]
Life to 5% Failures (Nom)	18000 h
Life To 10% Failures (Nom)	20000 h
Life to 20% Failures (Nom)	22500 h
Life to 50% Failures (Nom)	27000 h
LSF 2000 h Rated	99 %
LSF 4000 h Rated	99 %
LSF 6000 h Rated	99 %
LSF 8000 h Rated	99 %
LSF 12000 h Rated	99 %
LSF 16000 h Rated	97 %

LSF 20000 h Rated	90 %
Flux measurement reference	Sphere
Light technical	
Color Code	828 [ CCT of 2800K]
Luminous Flux (Nom)	16400 lm
Luminous Flux (Rated) (Nom)	16400 lm
Color Designation	Warm White (WW)
Chromaticity Coordinate X (Nom)	0.447
Chromaticity Coordinate Y (Nom)	0.4
Correlated Color Temperature (Nom)	2800 K
Luminous Efficacy (rated) (Nom)	110 lm/W
Color Rendering Index (Nom)	87

# MASTER CityWhite CDO-TT

LLMF 2000 h Rated	95 %
LLMF 4000 h Rated	92 %
LLMF 6000 h Rated	90 %
LLMF 8000 h Rated	88 %
LLMF 12000 h Rated	85 %
LLMF 16000 h Rated	82 %
LLMF 20000 h Rated	80 %
Ratio Scotopic/Photopic Lumens	1.30

## Operating and electrical

Power (Nom)	148.5 W
Lamp Current Run-Up (Max)	3.0 A
Lamp Current (EM) (Nom)	0.177 A
Ignition Peak Voltage (Max)	5000 V
Ignition Supply Voltage (Min)	198 V
Re-Ignition Time (Min) (Max)	900 s
Ignition Time (Max)	30 s
Voltage (Max)	106 V
Voltage (Min)	90 V
Voltage (Nom)	99 V

## Controls and dimming

Dimmable	Yes
Run-Up Time 90% (Max)	3 min

## Mechanical and housing

Bulb Finish	Clear
Bulb Shape	T46 [ T 46mm]

## Approval and application

Energy Efficiency Class	F
Mercury (Hg) Content (Max)	15.8 mg
Mercury (Hg) Content (Nom)	15.8 mg
Energy Consumption kWh/1000 h	149 kWh
EPREL Registration Number	473327

## UV

Pet (Niosh) (Min)	8 h/500lx
-------------------	-----------

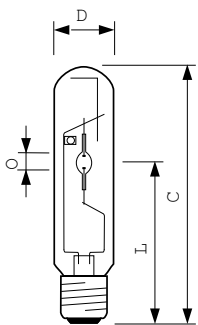
## Luminaire design requirements

Bulb Temperature (Max)	450 °C
Cap-Base Temperature (Max)	250 °C

## Product data

Full product code	871829112034600
Order product name	MASTER CityWhite CDO-TT Plus 150W/828 E40
EAN/UPC - Product	8718291120346
Order code	928082219231
Numerator - Quantity Per Pack	1
Numerator - Packs per outer box	12
Material Nr. (12NC)	928082219231
Net Weight (Piece)	0.135 kg
ILCOS Code	MT/UB-150/828-H-E40-48/211

## Dimensional drawing

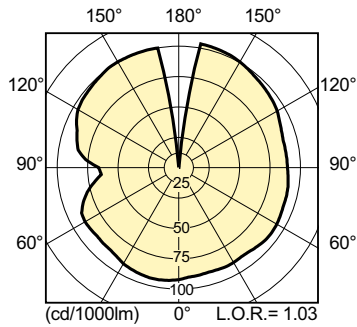


MASTER CityWhite CDO-TT Plus 150W/828 E40

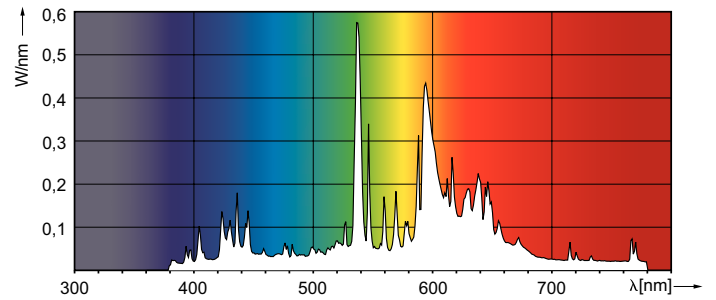
Product	D (max)	O	L	C (max)
MASTER CityWhite CDO-TT Plus 150W/828 E40	47 mm	10 mm	132 mm	211 mm

# MASTER CityWhite CDO-TT

## Photometric data

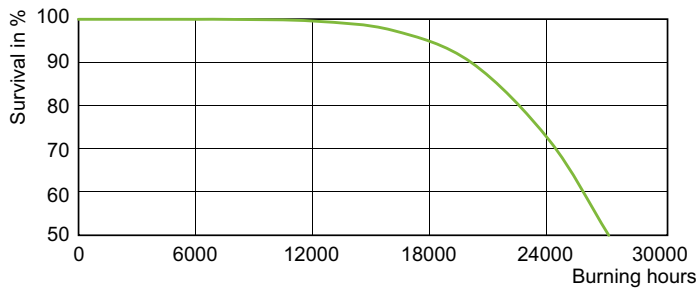


LDLD\_CDO-TT\_0003-Light distribution diagram

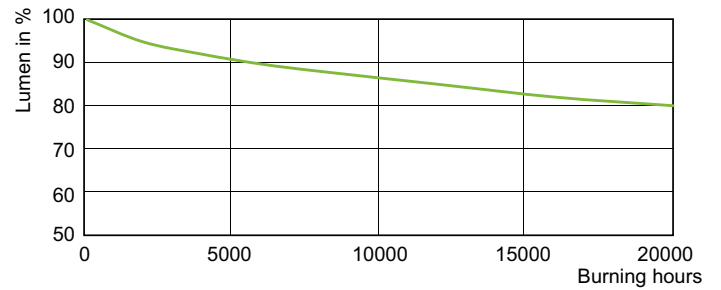


LDPO\_CDO-TT\_0002-Spectral power distribution Colour

## Lifetime



LDLE\_CDO-TT\_0002-Life expectancy diagram



LDLM\_CDO-TT\_0002-Lumen maintenance diagram

