

Multi-Hole Glands

DESCRIPTION: 25.0 MM MULTI-HOLE NYLON GLAND

Technical Features

Material: PA (Nylon) UL94 V-2

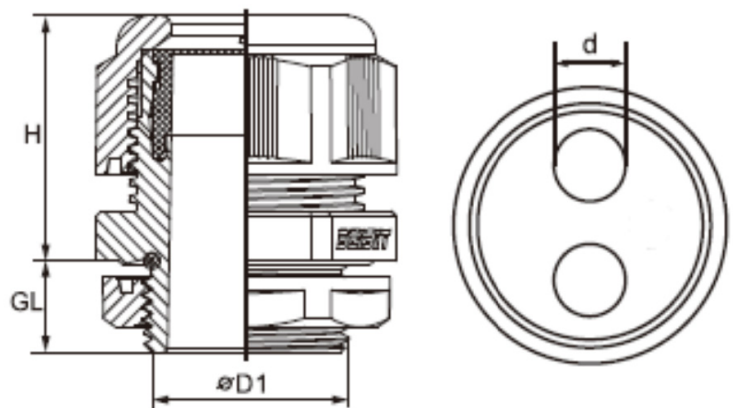
Seal: NBR

Working Temp: -40°C to + 100 °C

Ingress Protection: IP68

Colour: Black (RAL9005)

Packaging: Box Qty: 20, Includes L/Nuts



Dimensions

PART No.	Holes x D	Cable Size	H	GL	D	D1
CG25-2S	2 x 5.7mm	4.0mm ² - 6.0mm ²	31.0mm	11.0mm	5.7mm	25.0mm x 1.5mm
CG25-2L	2 x 8.0mm	10.0mm ²	31.0mm	11.0mm	8.0mm	25.0mm x 1.5mm
CG25-2E	1 x 4.8mm, 1 x 12.5mm	Single & 3 Phase	35.0mm	11.0mm	1 x 4.8mm, 1 x 12.5mm	25.0mm x 1.5mm
CG25-3	3 x 6.0mm	4.0mm ² - 6.0mm ²	31.0mm	11.0mm	6.0mm	25.0mm x 1.5mm
CG25-4	4 x 6.0mm	4.0mm ² - 6.0mm ²	31.0mm	11.0mm	6.0mm	25.0mm x 1.5mm
CG25-5	5 x 6.0mm	4.0mm ² - 6.0mm ²	31.0mm	11.0mm	6.0mm	25.0mm x 1.5mm