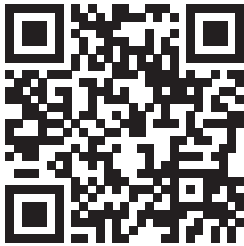


HNS616DT OWNER'S MANUAL



Scan our QR code with your phone to go directly to our website for technical information



PERFECT FOR DIMMABLE LED, NOW WITH MULTI WAY DIMMING

1. FEATURES

- Push Button Digital Dimmer™ and ON/OFF switch in one - perfect for dimmable LED
- Multi-way Dimming and ON/OFF using S-Click HNS026RB Remote Button
- Wider range - Deep Dimming to Zero on most lamps
- Double tap when ON - lights dim down to OFF over 30 minutes
- Double tap when OFF - turn lights ON at previous level and ramps to full brightness over 30 minutes
- Improved patented ripple tone rejection
- Rugged - Over Current, Over Voltage and Over Temperature protection
- Illuminated LED - configurable
- Restarts OFF after power loss
- Retains settings after power loss
- Trailing Edge dimming with linear response
- Programmable minimum brightness
- Suits Clipsal Saturn™ and Saturn Zen™ style wall plates
- NOT SUITABLE FOR FANS AND MOTORS

2. OPERATING CONDITIONS

- Operating Voltage: 230-240Va.c. 50Hz
- Operating Temperature: 0 to +50 °C
- Certified Standard: AS/NZS 60669.2.1, CISPR15
- Maximum Load: 350W
- Minimum Load: 1W
- Maximum Current capacity: 1.5A

Note: Operation at temperature, voltage or load outside of the specifications may cause permanent damage to the unit.

3. LOAD COMPATIBILITY

LOAD TYPE	LOAD SYMBOL	MAXIMUM LOAD
Dimmable LED Lamps ⁽¹⁾		250W
Incandescent / 240V Halogen / Dichroic Lamps		350W
Low Voltage Halogen / Dichroic Lighting with Iron-Core Transformers ⁽²⁾		250W
Low Voltage Halogen / Dichroic Lighting with Electronic Transformers ⁽²⁾		350W
Dimmable Compact Fluorescent Lamps ⁽¹⁾		150W
Motors / Fans		Not Compatible
Non-Dimmable Fluorescent / Compact Fluorescent Lamps		Not Compatible

⁽¹⁾ Refer to lamp manufacturer's guidelines.

⁽²⁾ Compatible with Atco & Clipsal transformers when loaded to at least 75% of their rated output.

Saturn™ and Saturn Zen™ are registered trademarks of Schneider Electric (Australia) Pty. Ltd.

Note: This manual was correct at the time of manufacture. For the latest version of the manual and any technical or safety updates refer to the website www.sclick.com.au or scan the QR code with a mobile phone.

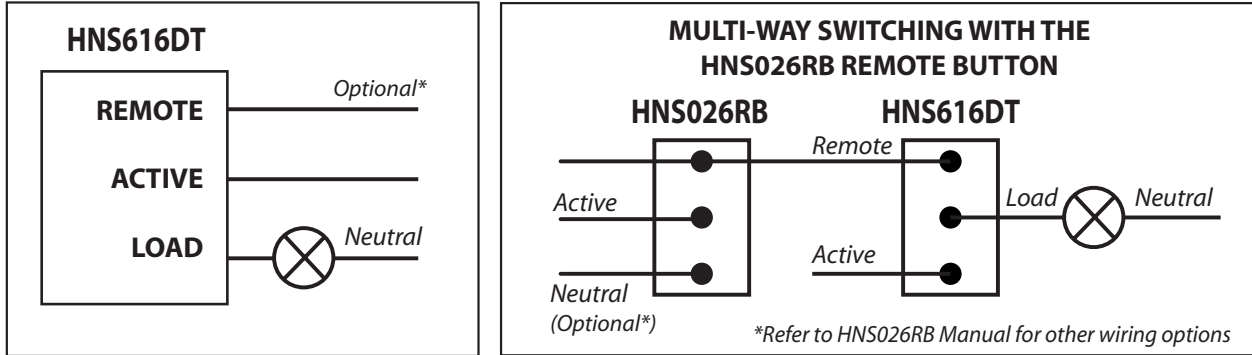
4. INSTALLATION INSTRUCTIONS

WARNING: The HNS616DT is to be installed as part of a fixed wire electrical installation. By law such installations must be made by an electrical contractor or similarly qualified person.

- No more than one dimmer can be connected to the same lamp.
- For Multi-way dimming and ON/OFF use the HNS026RB Remote Button.

4.1 WIRING

- Disconnect power at the circuit breaker before any electrical work.
- Install the HNS616DT as per the wiring diagram in figure below.



- Remove the old switch from the back of the Clipsal Saturn™ or Saturn Zen™ wall plate. The silver ring (Clipsal Saturn™ only) and button remain in place.
- Attach the HNS616DT to the back of the wall plate.
- Affix Instruction Sticker behind wall plate.
- Reconnect power at the circuit breaker and affix Solid State Device Warning Sticker at switchboard.

NOTE: The HNS616DT is designed for indoor use. It is not rated for outdoor installation. If the dimmer is loose in the wall plate, the wall plate should be replaced.

4.2 DERATING

- In high ambient temperatures, the maximum load rating is reduced according to the table below.
- If multiple dimmers are in a wall plate, the maximum load rating is reduced according to the table below.

AMBIENT TEMPERATURE	MAXIMUM LOAD
25°C	100%
50°C	75%

NUMBER OF DIMMERS	MAXIMUM LOAD PER DIMMER
1	100%
2	75%
3	55%
4	40%
5	35%
6	30%

5. OPERATING INSTRUCTIONS

5.1 ON / OFF SWITCH

- A quick tap of the button will turn the lights ON or OFF. Lamps will turn ON at last used brightness level.

5.2 DIMMING

- Press and hold the button to increase the lamps brightness. Release the button to stop.
- On the first press and hold the dimmer will increase the brightness of the lamps. On the next press and hold, the dimmer will decrease the brightness of the lamps. On each subsequent press and hold, the dimmer will alternately increase or decrease lamp brightness.
- It takes 4 seconds to adjust the lamps from minimum to maximum or maximum to minimum brightness.
- After a period of inactivity greater than 10 seconds the dimmer will default to increasing the brightness on the next press and hold of the button.

5.3 DOUBLE TAP - TIMER DIMMER

- Double tap when ON; the lamps will dim to minimum setting over 30 minutes and then turn OFF.
- Double tap when OFF; the lamps will turn ON at the previous brightness level and the brightness will increase to maximum over 30 minutes.
- During timer operation, the LED indicator will blink every 5 seconds.
- To cancel the timer operation at the current brightness, press and hold the button for 2 seconds.

5.4 SETTING THE MINIMUM BRIGHTNESS

Some lamps do not work well at low brightness settings and will fail to start or flicker. Adjusting the minimum brightness to a higher setting will ensure the lamps start and help eliminate flickering.

- Press and hold the button for 10 seconds until the LED indicator flashes indicating programming mode. The light brightness will decrease to the factory minimum brightness setting.
- If the lights are not operating correctly, tap the button to increase the brightness by a small amount.
- Continue until the lights are stable and not flickering.
- After 10 seconds without a button press, the brightness setting will be stored as the minimum brightness.
- Turn the dimmer OFF then ON to ensure the lamp starts and doesn't flicker on this setting.
- To set the brightness to the factory minimum brightness, enter programming mode and tap the button once, then wait 10 seconds to exit programming mode.

6. OPERATION MODES

MODE	DESCRIPTION	FACTORY SETTINGS
1. Kick Start	Start stubborn lamps	OFF
2. Attenuate Maximum Brightness	Reduces maximum brightness for lamps that flicker at maximum	OFF
3. LED Indicator	LED indicator always ON	ON

6.1 KICK START

- Certain lamps can be difficult or slow to start. Try adjusting the minimum brightness to a higher setting. If the minimum brightness is now too high, try resetting the minimum brightness and enabling the Kick Start mode.
- The lamps will quickly turn on before reverting to the previous dimming level. The default setting is OFF.

6.2 ATTENUATE MAXIMUM BRIGHTNESS

- If the lamps flicker on maximum brightness, this mode will reduce the flickering. The default setting is OFF.

6.3 LED INDICATOR

- The LED indicator can be set to switch OFF when the lamp is OFF. This can be useful for bedrooms where the LED indicator can be annoying. The default setting is ON.
- Setting the LED Indicator mode to OFF can also help with low wattage LED lamps that glow even when the dimmer is switched OFF reducing the glowing effect.

6.4 CHANGING OPERATION MODES

- Hold the button down for 10 seconds until the LED indicator starts flashing. Release the button.
- Hold the button down for 2 seconds until the LED indicator turns OFF.
- Release the button - the LED indicator will start flashing again.
- Press the button 1, 2 or 3 times to toggle the desired Operation Mode - see table above.
- When the LED indicator stops flashing the operation mode has been toggled.

NOTE: Only one mode can be toggled at a time.

For example, to change the LED Indicator Setting

- Hold the button down for 10 seconds until the LED indicator starts flashing. Release the button.
- Hold the button down for 2 seconds until the LED indicator turns OFF.
- Release the button - the LED indicator will start flashing again.
- Press the button 3 times.
- When the LED indicator stops flashing the setting is now toggled.

To Reset HNS616DT to factory settings

- i. Hold the button down for 10 seconds until the LED indicator starts flashing.
- ii. Release the button.
- iii. Hold the button down for 10 seconds again until the LED indicator turns ON.
- iv. Release the button.
- v. The dimmer will turn OFF - the dimmer is now reset to factory settings.

7. IMPORTANT SAFETY WARNINGS

7.1 LOAD REPLACEMENT

- It should be assumed that even when OFF, mains voltage will still be present at the lamp fitting. Mains power should be disconnected at the circuit breaker before replacing any lamps.

7.2 LOW READING DURING INSULATION BREAKDOWN TEST

- The HNS616DT is a solid state device. Therefore a low reading may be observed when conducting insulation breakdown testing on the circuit.

7.3 CLEANING

- Clean only with a damp cloth. Do not use abrasives or chemicals.

8. TROUBLESHOOTING

8.1 DIMMER AND LIGHTS DO NOT TURN ON

- Ensure that the circuit has power by checking the circuit breaker.
- Ensure the lamp(s) is not damaged or broken.

8.2 LIGHTS DON'T TURN ON OR LIGHTS TURN OFF BY THEMSELVES

- If the LED indicator flashes 5 times at turn ON, a fault has occurred.
- Over temperature, Over voltage or Overload protection operated.
- Ensure any iron core ballast has sufficient load.
- Ensure the dimmer is not overloaded or operating in high ambient temperature.
- Check the lamp(s) is suitable for dimming.

8.3 LIGHTS FAIL TO TURN OFF COMPLETELY

- Some LED lamps may glow or flicker when the dimmer is OFF. Toggle the LED indicator mode to OFF.

8.4 LIGHTS FLICKER OR CHANGE IN BRIGHTNESS FOR SHORT PERIODS

- This is due to fluctuations in the power supply and is normal. If too severe, try another type of lamp.

8.5 LIGHTS STAY ON AT FULL BRIGHTNESS OR FLICKER CONTINUOUSLY

- The lamp(s) may not be suitable for dimming. Refer to the lamp manufacturer information.

8.6 LIGHTS TURN OFF WHEN A CEILING/ EXHAUST FAN IS TURNED ON OR OFF

- The dimmer is turning the lamps OFF to prevent damage from electrical transients.
- Fit a HNSSUPCAP to suppress transients.

9. WARRANTY AND DISCLAIMER

Legend Corporation Limited warrants the product against manufacturing and material defect from the date of invoice to the initial purchaser for a period of 12 months. During the warranty period Legend Corporation Limited will replace products that prove to be defective where the product has been correctly installed and maintained and operated within the specifications defined in the product data sheet and where the product is not subject to mechanical damage or chemical attack. The warranty is also conditional on the unit being installed by a licensed electrical contractor. No other warranty is expressed or implied.

Legend Corporation Limited shall not be liable for any direct, indirect, incidental or consequential damages.

Note: This manual was correct at the time of manufacture. For the latest version of the manual and any technical or safety updates refer to the website:- www.sclick.com.au or scan the QR code with a mobile phone.