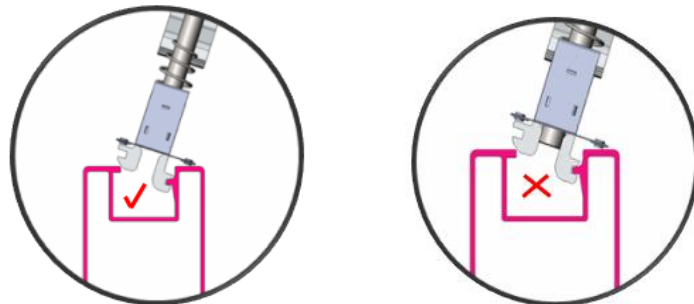
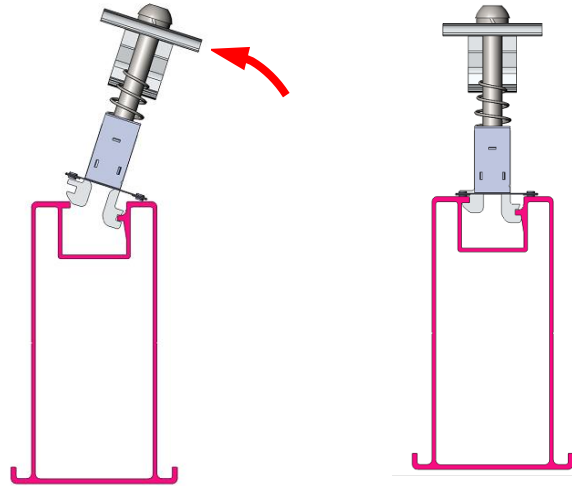


4. Installation Instruction

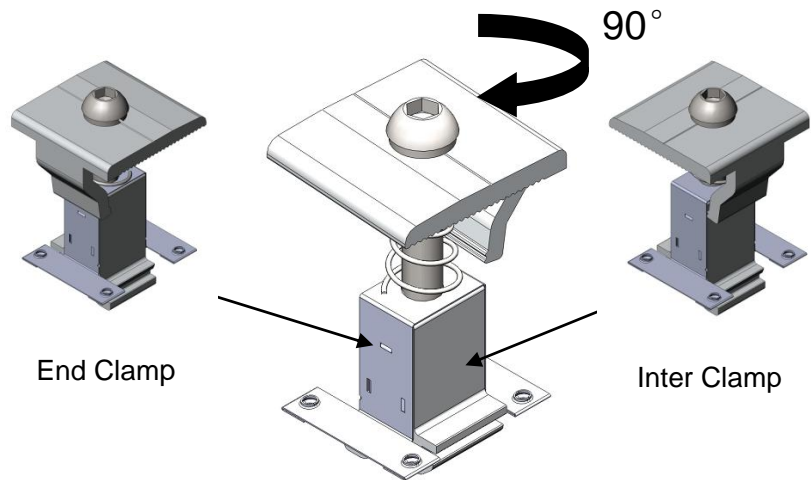
4.1 Universal Clamp Installation

4.1.1 Inclining the Universal Clamp to make the channel on its lower part against the lower channel of T rail, and press down the Universal Clamp towards other side to make the channel on its upper part against the upper channel of T Rail as shown in right figure.

Note: before installing, make sure there will be enough clearance between screw and module of Universal Clamp as shown in right figure.



4.1.2 Twisting the head of Universal Clamp changes functionality from end to inter clamp as shown in right figure.



4.2 PV Module Installation

4.2.1 When using as End Clamp, slide the Universal Clamp to the position to be fastened, and then slightly slide the framed PV Module on grounding clip of Universal Clamp (ignore this step if C-U/30/46 is applied). Make sure the frame of PV Module is fully in contact with the Universal Clamp as shown in right figure. Visually check the Universal Clamp and PV module are properly

