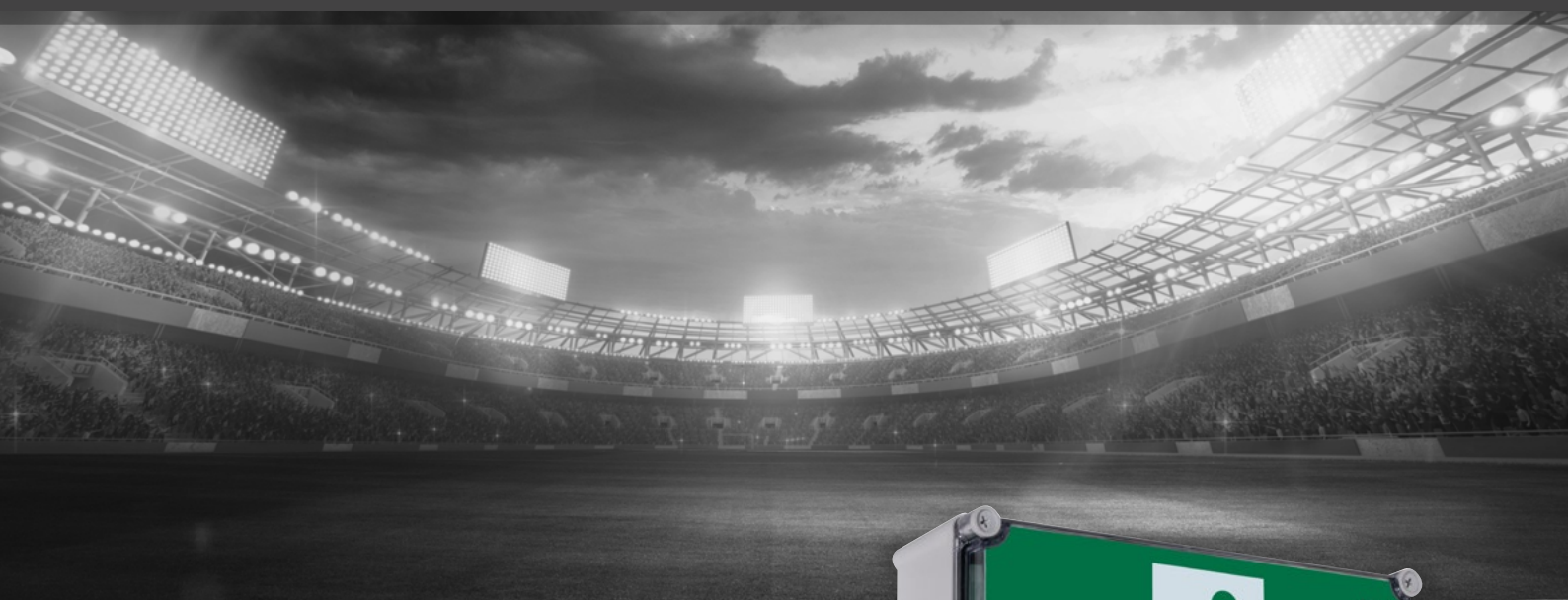


WEATHERPROOF WALL MOUNT EXITS



Weatherproof with a Variety of Viewing Distances

The Weatherproof Wall Mount exit is ideal for applications that require an IP66/67 rated exit that is available in 24m, 32m and 40m viewing distances.

Fitted with 100K hour LEDs and built with a robust polycarbonate base and diffuser it is perfect for applications in warehouses, factories and stadiums.

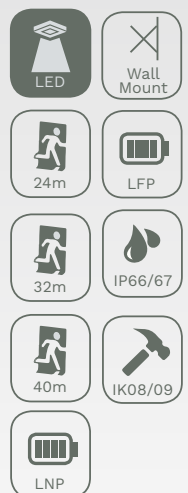


Applications

- | | |
|--|--|
|  Schools |  Public Amenities |
|  Factories |  Stadiums |
|  Car Parks |  Warehouses |

Features and Benefits

- AS/NZS 2293.3 compliant
- Wall mount
- Lithium Iron Phosphate or Nanophosphate® battery
- Clevertest Plus System compatible
- Various viewing distances (24m, 32m, & 40m)



WEATHERPROOF WALL MOUNT EXITS

| ORDERING INFORMATION | | LP | | | L10 | | |
|-----------------------------------|--|-----------------------|-----------------------|------------------------|-----------------------|-----------------------|----------------------|
| PART NO. | Viewing Distance | 24M | 32M | 40M | 24M | 32M | 40M |
| | Standard | CWELED-WM-R | CJWELED-32-WM-R | CJWELED-40-WM-R | LWELED-WM-R | LJWELED-32-WM-R | LJWELED-40-WM-R |
| | Clevertest Plus System Compatible | Yes | | | | | |
| | DALI | CWELED-WM-DALI-R | CJWELED-DALI-32-WM-R | CJWELED-DALI-40-WM-R | LWELED-DALI-WM-R | LJWELED-DALI-32WM-R | LJWELED-DALI-40-WM-R |
| | Zoneworks® XT Hive | CWELED-HV-WM-R | CJWELED-32-HV-WM-R | CJWELED-40-HV-WM-R | LWELED-HV-WM-R | LJWELED-32-HV-WM-R | LJWELED-40-HV-WM-R |
| Carton Quantity | 1 | | | | | | |
| Weight - single (carton) | 2.8kg | 3.4kg | 5.4kg | 2.8kg | 3.4kg | 5.4kg | |
| Dimensions (L x W x H) | 380mm x 130mm x 190mm | 380mm x 130mm x 280mm | 560mm x 130mm x 280mm | 380mm x 130mm x 190mm | 380mm x 130mm x 280mm | 560mm x 130mm x 280mm | |
| Directional Options | Diffuser Options for 24m & 40m Only - add, R Right, L Left eg CWELED-WM-RR for Running Man, Arrow Right. | | | | | | |
| POWER, LAMPS AND BATTERY | | 24M | 32M | 40M | 24M | 32M | 40M |
| Power Consumption (Standby / Max) | | 2.7W / 5.1W | 3.7W / 4.9W | 3.0W / 5.0W | 2.5W / 4.8W | 3.7W / 4.9W | 2.8W / 5.3W |
| Lamp(s) | 100,000hrs LEDs | | | | | | |
| Battery | Lithium Iron Phosphate | | | Lithium Nanophosphate® | | | |
| Voltage (V) / Capacity (mAh) | | 3.2V / 1500mAh | 3.2V / 3200mAh | 3.3V / 2500mAh | 3.3V / 2500mAh | 3.3V / 2500mAh | |
| Charging Method | Intelligent Current Limited Constant Voltage | | | | | | |

| TECHNICAL SPECIFICATIONS | |
|--------------------------------|----------------------------|
| Operating Mode | Maintained |
| Voltage (V) Frequency (Hz) | 240V AC / 50Hz |
| Construction - Body / Diffuser | PC / PC |
| Mounting Type | Wall mount Single Sided |
| Operating Temperature | 1°C to 40°C |
| Ingress Protection Rating (IP) | IP66/67 |
| Impact Rating (IK) | IK08 (Side) & IK09 (Front) |

| SPARE PARTS | 24M | 32M | 40M | 24M | 32M | 40M |
|-------------------------|---------|---------|---------|---------|---------|---------|
| Battery | 1550130 | 1550010 | 1550010 | 1530030 | 1530010 | 1530010 |
| Lamp Bar | 8002120 | 8002120 | 8002122 | 8002430 | 8002120 | 8002122 |
| DALI Node | 8003060 | 8003060 | 8003060 | 8003060 | 8003060 | 8003060 |
| Zoneworks® XT Hive Node | 8003190 | 8003190 | 8003190 | 8003190 | 8003190 | 8003190 |

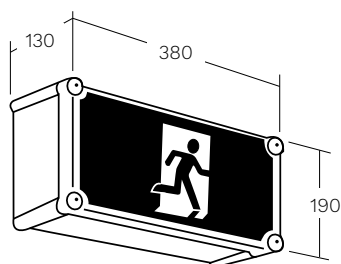
| CLASSIFICATION | 24M | 32M | 40M | 24M | 32M | 40M |
|----------------|-------|-------|-------|-------|-------|-------|
| Co | E1.25 | A1.25 | E1.6 | E1.25 | A1.25 | E1.6 |
| C90 | E1 | E1.25 | E1.25 | E1 | E1.25 | E1.25 |

| SPACING TABLE AND MOUNTING HEIGHTS – AS/NZS 2293.1:2018 (MINIMUM LIGHT LEVEL OF 0.2 LUX) | | | | | | | | | |
|--|------|------|------|------|------|------|------|------|------|
| Classification | 2.1m | 2.4m | 2.7m | 3.0m | 3.3m | 3.6m | 4.0m | 4.5m | 5.0m |
| A1.25 | 2.5 | 2.4 | 0.0 | 0.0 | 0.0 | N/A | N/A | N/A | N/A |
| E1 | 3.7 | 0.0 | 0.0 | 0.0 | N/A | N/A | N/A | N/A | N/A |
| E1.25 | 4.1 | 4.1 | 0.0 | 0.0 | 0.0 | 0.0 | N/A | N/A | N/A |
| E1.6 | 4.6 | 4.7 | 4.6 | 0.0 | 0.0 | 0.0 | 0.0 | N/A | N/A |

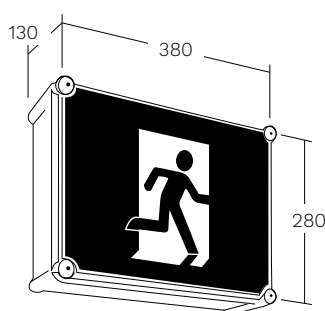
For 1 lux and AS/NZS 2293.1:2005 spacing tables please visit: <https://clevertronics.com.au/spacing-tables/>

Based on minimum light level of 0.2 lux. Maximum allowed mounting height is 2.7m but for exceptions see AS/NZS 2293.1. Spacing classifications do not apply for theatre versions.

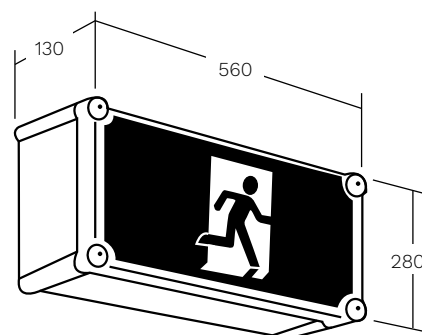
*Warranty information located at: <https://clevertronics.com.au/warranty-statement/>



24m Exit Sign Dimensions (mm)



32m Exit Sign Dimensions (mm)



40m Exit Sign Dimensions (mm)

clevertronics.co.nz
clevertronics.com.au

195 Chesterville Road, Moorabbin VIC 3189
P +61 3 9559 2700 F +61 3 9559 2799 E info@clevertronics.com.au

Clevertronics is committed to continuously improving its products. All features and specifications are subject to change without prior notice. CT-BRO-ANZ-WEATHERPROOF-WM-EX-001

