



MASTER CityWhite CDO-ET

MASTER CityWhite CDO-ET Plus 70W/828 E27

Ceramic metal halide lamp, with opalized ovoid outer bulb shape, used in outdoor offering pleasant white light

Warnings and Safety

- Use only in totally enclosed luminaire, even during testing (IEC61167, IEC 62035, IEC60598)
- The luminaire must be able to contain hot lamp parts if the lamp ruptures
- Lamps may use electronic or electromagnetic control gear
- Control gear must include end-of-life protection (IEC61167, IEC 62035)
- Warm restart time can be up to 15 minutes; T15 ignitors therefore advised
- A lamp breaking is extremely unlikely to have any impact on your health. If a lamp breaks, ventilate the room for 30 minutes and remove the parts, preferably with gloves. Put them in a sealed plastic bag and take it to your local waste facilities for recycling. Do not use a vacuum cleaner.

Product data

General information		Light technical	
Cap-Base	E27 [E27]	LSF 20000 h Rated	71 %
Operating Position	UNIVERSAL [Any or Universal (U)]	Flux measurement reference	Sphere
Life to 5% Failures (Nom)	13000 h	Color Code	828 [CCT of 2800K]
Life To 10% Failures (Nom)	15000 h	Luminous Flux (Nom)	7030 lm
Life to 20% Failures (Nom)	17000 h	Luminous Flux (Rated) (Nom)	7030 lm
Life to 50% Failures (Nom)	27000 h	Color Designation	Warm White (WW)
LSF 2000 h Rated	99 %	Chromaticity Coordinate X (Nom)	0.447
LSF 4000 h Rated	99 %	Chromaticity Coordinate Y (Nom)	0.4
LSF 6000 h Rated	98 %	Correlated Color Temperature (Nom)	2800 K
LSF 8000 h Rated	96 %	Luminous Efficacy (rated) (Nom)	99 lm/W
LSF 12000 h Rated	90 %	Color Rendering Index (Min)	81
LSF 16000 h Rated	81 %		

MASTER CityWhite CDO-ET

Color Rendering Index (Nom)	84
LLMF 2000 h Rated	97 %
LLMF 4000 h Rated	93 %
LLMF 6000 h Rated	89.5 %
LLMF 8000 h Rated	86 %
LLMF 12000 h Rated	80.5 %
LLMF 16000 h Rated	76.5 %
LLMF 20000 h Rated	73.5 %
Ratio Scotopic/Photopic Lumens	1.30

Operating and electrical

Power (Nom)	71.0 W
Lamp Current Run-Up (Max)	1.96 A
Lamp Current (EM) (Nom)	0.99 A
Ignition Supply Voltage (Max)	198 V
Ignition Peak Voltage (Max)	2500 V
Ignition Supply Voltage (Min)	198 V
Re-Ignition Time (Min) (Max)	720 s
Ignition Time (Max)	30 s
Voltage (Max)	96 V
Voltage (Min)	80 V
Voltage (Nom)	83 V

Controls and dimming

Dimmable	Yes
Run-Up Time 90% (Max)	3 min

Mechanical and housing

Bulb Finish	Coated glass
-------------	--------------

Bulb Shape	B70 [B 70mm]
------------	---------------

Approval and application

Energy Efficiency Class	F
Mercury (Hg) Content (Max)	7.8 mg
Mercury (Hg) Content (Nom)	7.8 mg
Energy Consumption kWh/1000 h	71 kWh
EPREL Registration Number	473398

UV

Pet (Niosh) (Min)	8 h/500lx
-------------------	-----------

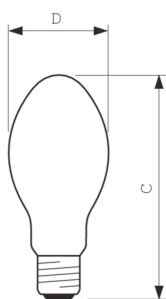
Luminaire design requirements

Bulb Temperature (Max)	350 °C
Cap-Base Temperature (Max)	200 °C

Product data

Full product code	871829115875200
Order product name	MASTER CityWhite CDO-ET Plus 70W/828 E27
EAN/UPC - Product	8718291158752
Order code	928154708835
Numerator - Quantity Per Pack	1
Numerator - Packs per outer box	24
Material Nr. (12NC)	928154708835
Net Weight (Piece)	57.000 g
ILCOS Code	ME70/28/1B-H-E27

Dimensional drawing

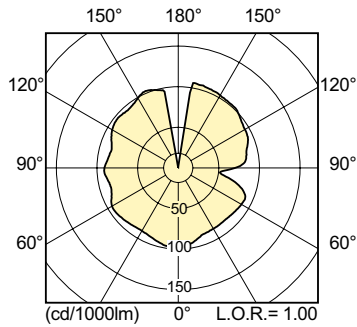


MASTER CityWhite CDO-ET Plus 70W/828 E27

Product	D (max)	C (max)
MASTER CityWhite CDO-ET Plus 70W/828 E27	71 mm	156 mm

MASTER CityWhite CDO-ET

Photometric data

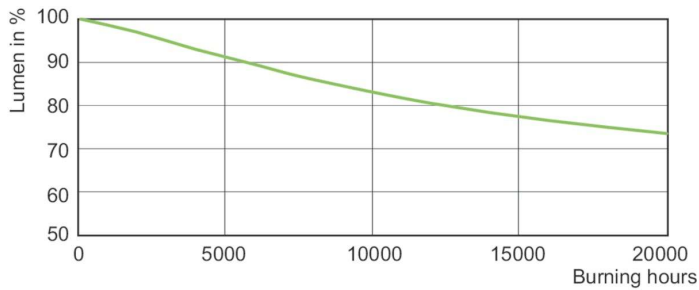


LLDL_CDO-ET_0001-Light distribution diagram

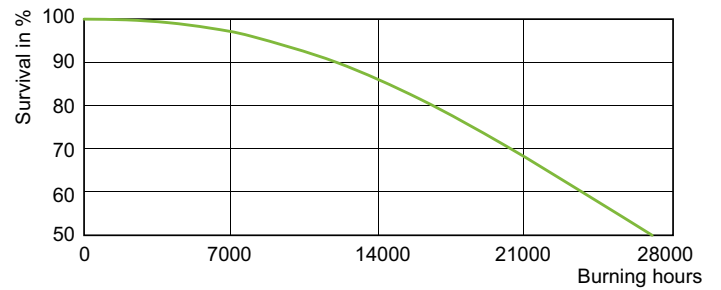


LDPO_CDO-ET_0002-Spectral power distribution Colour

Lifetime



MASTER CityWhite CDO-ET Plus CDO-TT Plus 70W/828 E27



LDLE_CDO-ET_0001-Life expectancy diagram

