



### Main

Range of product	Modicon TM3
Product or component type	Remote receiver module
Range compatibility	Modicon M221 Modicon M241 Modicon M251
[Us] rated supply voltage	24 V DC for external supply (tolerance: - 15...20 %)

### Complementary

Number of I/O expansion module	7
Power supply output current	560 mA at 5 V for expansion bus 560 mA at 24 V for expansion bus
Current consumption	40 mA at 24 V DC via bus connector
Power dissipation in W	<= 1 W
Cable distance between devices	0.5...5 mm extension cable with 2 RJ45 conductor between receiver and transmitter
Local signalling	1 LED green for power supply 1 LED green for link status
Electrical connection	RJ45 connector for connecting the bus transmitter Removable screw terminal block with 3 terminal(s) for connecting the 24 V DC power supply
Marking	CE
Resistance to electrostatic discharge	8 kV in air - EN/IEC 61000-4-2 6 kV on contact - EN/IEC 61000-4-2
Resistance to electromagnetic fields	10 V/m (80 MHz...1 GHz) - EN/IEC 61000-4-3 3 V/m (1.4 GHz...2 GHz) - EN/IEC 61000-4-3 1 V/m (2...2.7 GHz) - EN/IEC 61000-4-3
Resistance to conducted disturbances	10 Vrms (0.15...80 MHz) - EN/IEC 61000-4-6 3 Vrms (spot frequency (2, 3, 4, 6.2, 8.2, 12.6, 16.5, 18.8, 22, 25 MHz)) - Marine specification (LR, ABS, DNV, GL)
Electromagnetic emission	Radiated emissions - EN/IEC 55011 class A 10 m, 30...230 MHz : 40 dBµV/m QP Radiated emissions - EN/IEC 55011 class A 10 m, 230...1000 MHz : 47 dBµV/m QP
Mounting support	Top hat type TH35-15 rail conforming to IEC 60715 Top hat type TH35-7.5 rail conforming to IEC 60715 Plate or panel with fixing kit
Height	90 mm
Depth	73.3 mm
Width	23.65 mm
Product weight	0.075 kg

### Environment

standards	UL 508 CSA C22.2 No 142 CSA C22.2 No 213 (Class I Division 2 Groups A/B/C/D) IEC 61131-2 UL 1604 (Class I Division 2 Groups A/B/C)
product certifications	CSA HazLoc C-Tick GOST Merchant Navy
ambient air temperature for operation	-10...55 °C for horizontal installation -10...50 °C for vertical installation

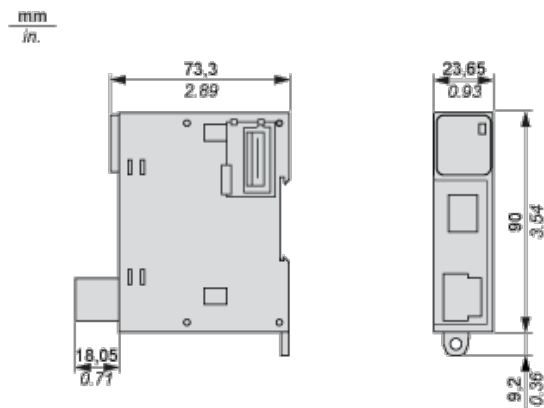
The information provided in this documentation contains general descriptions and/or technical characteristics of the products contained herein. This documentation is not intended as a substitute for and is not to be used for determining suitability or reliability of these products for specific user applications. It is the duty of any such user or integrator to perform the appropriate and complete risk analysis, evaluation and testing of the products with respect to the relevant specific application or use thereof. Neither Schneider Electric Industries SAS nor any of its affiliates or subsidiaries shall be responsible or liable for misuse of the information contained herein.

ambient air temperature for storage	-40...70 °C
relative humidity	5...95 % without condensation
IP degree of protection	IP20 with protective cover in place
pollution degree	2
operating altitude	0...2000 m
storage altitude	0...3000 m
vibration resistance	3.5 mm (vibration frequency: 5...8.4 Hz) on DIN rail 3 gn (vibration frequency: 8.4...150 Hz) on DIN rail 3.5 mm (vibration frequency: 5...8.4 Hz) on panel 3 gn (vibration frequency: 8.4...150 Hz) on panel
shock resistance	15 gn (test wave duration:11 ms)

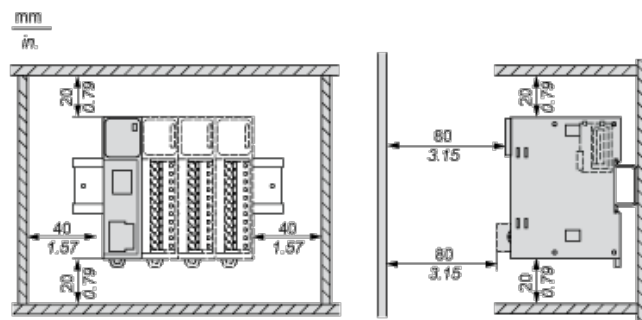
## Offer Sustainability

Sustainable offer status	Green Premium product
RoHS (date code: YYWW)	Compliant - since 1408 - Schneider Electric declaration of conformity
REACH	Reference not containing SVHC above the threshold
Product environmental profile	Available
Product end of life instructions	Available

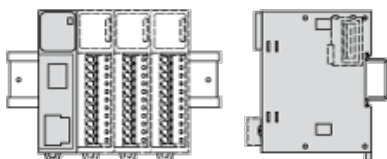
## Dimensions



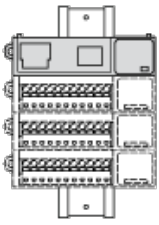
## Spacing Requirements



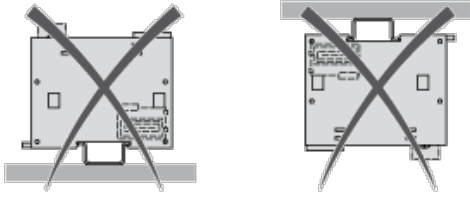
## Mounting on a Rail



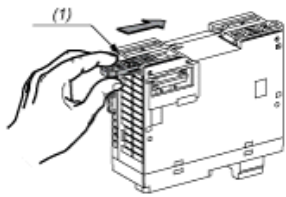
## Vertical Mounting



### Incorrect Mounting



### Mounting on a Panel Surface



- (1) Install a mounting strip

### Mounting Hole Layout

