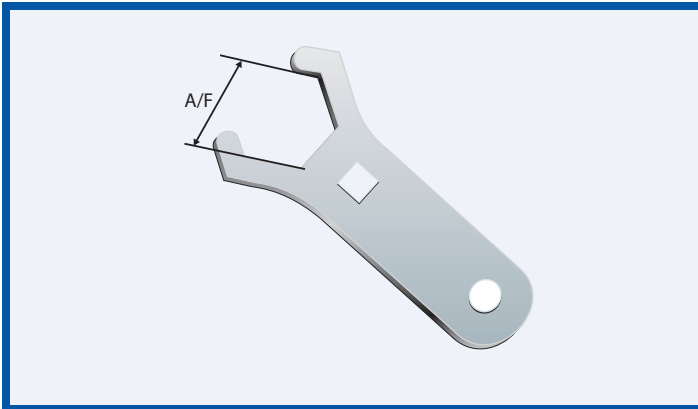


TOOLS

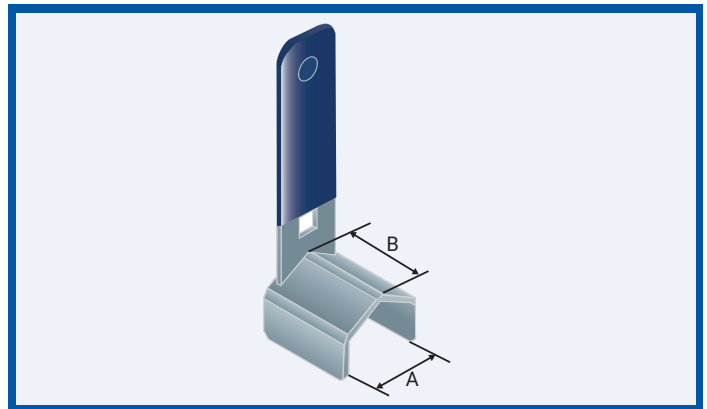
POSI SPANNER



Gland Size	A/F	SPANNER PRODUCT CODE	
		Posi Flex™	Posi Grip™ VX (VORTEX)
00	28	401205	401205
0	30	401206	401206
1	34	401207	401207
2	42	401208	401208
3	52	401209	401209
4	62	401210	401210
5	74	401211	401211
6	95	401212	401212
7	110	401213	401213
8	118	401214	401214
9	130	401215	401215

A/F dimensions are in mm.
Refer to data sheet for installation torque value.

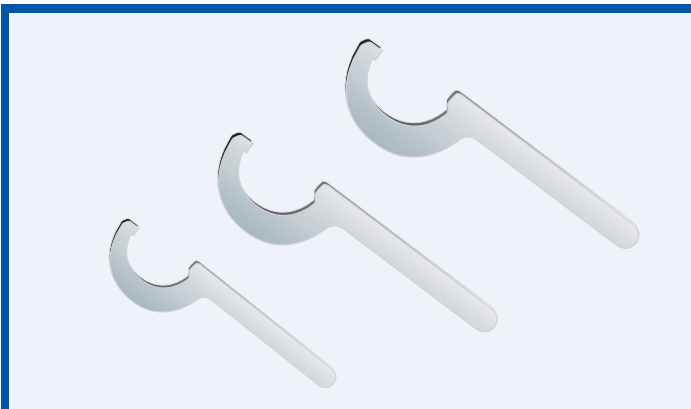
LOCKNUT SPANNER



Spanner Product Code	Suit Gland Size	Across Flats 'A'	Depth of Reach 'B'
40162025PA60	0 / 1	25.0	60.0
40162032PA60	2	32.0	60.0
40162040PA60	3	40.0	60.0
40162052PA60	4	52.0	60.0
40162065PA65	5	65.0	65.0
40162080PA70	6	80.0	70.0
40162096PA75	7 / 8	96.0	75.0
40162111PA80	9	111.0	80.0
40162125PA85	10	125.0	85.0
40162135PA85	11	135.0	85.0

Dimensions are in mm.

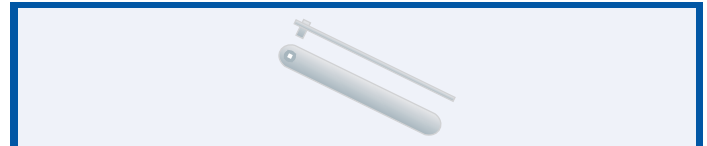
C SPANNER



Gland Size	A2	BW	CW	D1W	E1W
10	401610-C	401610-C	401610-C	401610-C	401610-C
11	401611-C	401611-C	401611-C	401611-C	401611-C
12	401612-C	401612-C	401612-C	401612-C	401612-C
13	401613-C	401613-C	401613-C	401613-C	401613-C

Refer to data sheet for installation torque value.

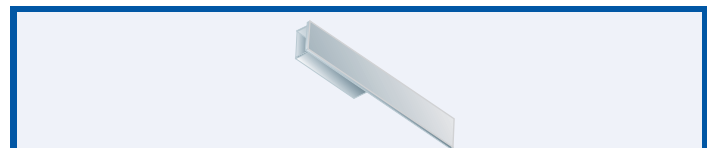
SQUARE POWER BAR



Product Code
401600-000

WIRE BENDING TOOL

FOR STEEL WIRE ARMOUR CABLE



Product Code
401701

SELECTION CHART

HEX SPANNER



Gland Size	Hex	A2	BW	CW	D1W	E1W	IPLUS	E1EX	E1EX-U	EX-CGUARD	A2F	A2EX	ARMORTEX	FLP/FLPTR	POSI GRIP
0 0	22	-	401600-022	-	-	-	-	-	-	-	-	-	-	-	-
00 / 0	24	401600-024	-	401600-024	401600-024	401600-024	401600-024	401600-024	-	401600-024	401600-024	401600-024	-	-	-
0 0	25	-	-	-	-	-	-	-	401600-025	-	-	-	-	-	-
00 / 0	25	-	-	-	-	-	-	-	-	-	-	-	401600-025	401600-025	401600-30
0	27	-	-	-	-	-	-	-	401601-027	-	-	-	-	-	-
1	27	401601-027	401601-027	401601-027	401601-027	401601-027	401601-027	401601-027	-	401601-027	401601-027	401601-027	-	-	401602-34
1	30	-	-	-	-	-	-	-	-	-	-	-	401601-030	401601-030	-
2	30	-	-	-	-	-	-	-	401601-030	-	-	-	-	-	401603-42
2	32	-	-	-	-	-	-	-	-	-	-	-	-	-	-
2	35	401602-035	401602-035	401602-035	401602-035	401602-035	401602-035	401602-035	-	401602-035	401602-035	401602-035	-	-	-
2	38	-	-	-	-	-	-	-	401602-038	-	-	-	-	-	-
2	40	-	-	-	-	-	-	-	-	-	-	-	401602-040	401602-040	-
3	40	-	-	-	-	-	-	-	-	-	-	-	-	-	-
3	42	401603-042	401603-042	401603-042	401603-042	401603-042	401603-042	401603-042	-	401603-042	401603-042	401603-042	-	-	-
3	45	-	-	-	-	-	-	-	401603-045	-	-	-	401603-045	401603-045	-
3	47	-	-	-	-	-	-	-	-	-	-	-	-	-	-
4	52	401604-052	401604-052	401604-052	401604-052	401604-052	401604-052	401604-052	-	401604-052	401604-052	401604-052	-	-	-
4	55	-	-	-	-	-	-	-	401604-055	-	-	-	401604-055	401604-055	-
4	60	-	-	-	-	-	-	-	-	-	-	-	-	-	-
5	65	401605-065	401605-065	401605-065	401605-065	401605-065	401605-065	401605-065	401605-065	401605-065	401605-065	401605-065	-	-	401605-74
5	70	-	-	-	-	-	-	-	-	-	-	-	401605-070	401605-070	-
5	75	-	-	-	-	-	-	-	-	-	-	-	-	-	-
6	80	401606-080	401606-080	401606-080	401606-080	401606-080	401606-080	401606-080	-	401606-080	401606-080	401606-080	-	-	401607-96
6	85	-	-	-	-	-	-	-	-	-	-	-	-	-	-
6	85	-	-	-	-	-	-	-	401606-085	-	-	-	401606-085	401606-085	-
7	-	-	-	-	-	-	-	-	-	-	-	-	-	-	401607-111
8	-	-	-	-	-	-	-	-	-	-	-	-	-	-	401608-117
7 / 8	96	401607-096	401607-096	401607-096	401607-096	401607-096	401607-096	401607-096	401607-096	401607-096	401607-096	401607-096	401607-096	401606-085	-
9	111	401609-112	401609-112	401609-112	401609-112	401609-112	401609-112	401609-112	401609-112	401609-112	401609-112	401609-112	-	-	401609-130
10	125	401610-126	401610-126	401610-126	401610-126	401610-126	401610-126	401610-126	401610-126	-	401610-126	401610-126	-	-	401612-140
10	-	401610-C	401610-C	401610-C	401610-C	401610-C	-	-	-	-	-	-	-	-	-
11	135	-	-	-	-	-	-	401611-136	-	-	401611-136	401611-136	-	-	401613-150
11	-	401611-C	401611-C	401611-C	401611-C	401611-C	-	-	-	-	-	-	-	-	-
12	140	-	-	-	-	-	-	401612-140	-	-	401612-140	401612-140	-	-	-
12	-	401612-C	401612-C	401612-C	401612-C	401612-C	-	-	-	-	-	-	-	-	-
13	146	-	-	-	-	-	-	401613-148	-	-	401613-148	401613-148	-	-	-
13	-	401613-C	401613-C	401613-C	401613-C	401613-C	-	-	-	-	-	-	-	-	-

Hex dimensions are in mm. Refer to data sheet for installation torque value.