



Stand Mounted: PSET634-03SP

Wall Mounted: PWET634-03SP

PEDESTAL & WALL MOUNTED

COOLING FANS



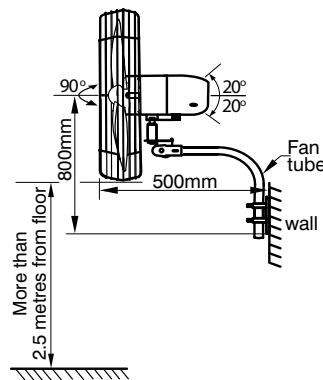
The Fantech Trade range of robust Pedestal Fans are available in stand or wall mounted configurations. They are designed to increase comfort and lift productivity by providing relief to people working in hot locations.

- Robust, durable construction.
- Height of the stand mounted unit is adjustable from 1400mm to 1660mm.
- 90° oscillating head with 20° up and down tilt.
- Wall mounted unit comes with easy to fit wall mounting kit.
- Finished in a durable grey coloured paint.
- 3 operating speeds to suit specific cooling needs.
- Fans are supplied in kit form ready for easy assembly.
- Finger guards comply with Australian standards.

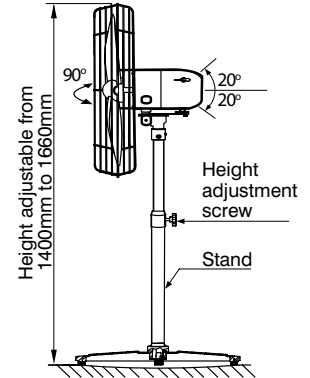
ACCESSORIES

- FMK3 - 3 nozzle misting kit
- FMK5 - 5 nozzle misting kit
- FMK7 - 7 nozzle misting kit

DIMENSIONS



Wall Mount: PWET634-03SP
13.5kg



Stand Mount: PSET634-03SP
20.5 kg

SPECIFICATIONS

SPEED SETTING	AIR FLOW M ³ /H	FAN SPEED REV/SEC	AVG. dB(A) @ 5M	SINGLE-PHASE	
				WATTS	AMPS
HIGH	12240	23	69	230	0.90
MID	11160	21	60	175	0.80
LOW	10080	20	56	135	0.70