

Catalogue No: 2080-LC20-20QWB

M820 8DI 4AI CONFIG 7DO RELAY 1AO ENET RS232/485 24V DC

Automation Systems > Micro Programmable Controllers and Smart Relays > Micro PLCs > Allen-Bradley® Micro820®, Micro830®, Micro850® and Micro870® Controllers > Micro820® Controllers



Micro820 Controller, 12 Digital Input - 24V DC/AC, 7 Digital Output Relay, 4 Configurable Analog Input (voltage) 1 Analog Output 24V DC Power Supply

- EtherNet/IP for RTU applications, HMI connectivity, or programming via Connected Components Workbench software
- Embedded support for 4 thermistor temperature inputs
- Models with 24VDC Outputs offer 5kHz PWM output for controlling solenoids and valves
- Built-in Real Time Clock (RTC) with no battery required
- MicroSD™ card slot for program transfer, data logging and recipe management
- Models available with removable terminal blocks for easier wiring and installation (Cat. No ends with “R”)
- Expand controller capabilities with support for up to two Micro800® plug-in modules
- Remote 3.5inch LCD display (2080-REMLCD) available as easy and convenient text-only HMI for Micro820 Controllers

Representative Photo Only
(actual product may vary based on configuration selections)

SPECIFICATIONS

Product Series	Micro820 (Bul. 2080-LC20)
Component Type PLC & I/O	Controller with onboard I/O
Unom, Supply Voltage, DC, Nom	24 V DC
Memory, Program	10 kB memory
Memory, Data	20 kB memory
Memory Card Option	SD Card
Quantity, Total Input	12 qty
Quantity, Total Configurable I/O	4 qty
Type, Configurable I/O	DI / AI type
Type, Configurable Digital Input	12/24V DC Sink type
Type, Configurable Analogue Input	0-10V DC type
Quantity, Digital Input	8 qty
Type, Digital Input	24V DC Snk/Src type
Quantity, Total Output	8 qty
Quantity, Relay Output	7 qty
Type, Relay Output	NO 125V DC / 250V AC type
Quantity, Analogue Output	1 qty
Type, Analogue Output	0-10V DC type
Number of Digital Inputs	8 qty
Digital Input Type	24V DC Sinking/Sourcing type
Number of Digital Outputs	7 qty
Digital Output Type	Relay type
Number of Analogue Inputs	4 qty
Analogue Input Type(s)	Voltage: Single-Ended
Analogue Input Range(s)	0 ... 10V DC
Number of Analogue Outputs	1 qty
Analogue Output Type(s)	Voltage: Single-Ended
Analogue Output Range(s)	0 ... 10V DC

Catalogue No: **2080-LC20-20QWB**

M820 8DI 4AI CONFIG 7DO RELAY 1AO ENET RS232/485 24V DC

Automation Systems > Micro Programmable Controllers and Smart Relays > Micro PLCs > Allen-Bradley® Micro820®, Micro830®, Micro850® and Micro870® Controllers > Micro820® Controllers



Number of Specialty Channels	1 qty
Signal Type, Specialty	Pulse-Width Modulated Output (PWM)
Communications Ports (On Board)	RS232 RS485 USB (programming only)
Communications Protocols	EtherNet/IP EtherNet/OCPP Modbus-TCP/IP
Real Time Clock	Integrated
Display Type	Integrated LCD
Base Unit Plug-In Slots	2 Plug-in slots
Number of Plug-in Slots	2 qty
Software, Configuration	Connected Components Workbench
Operating Temperature, Max	65 °C max
Operating Temperature, Min	-20 °C min
Storage Temperature, Max	-40 °C max
Storage Temperature, Min	85 °C min
Relative Humidity, Max	95 %RH
Humidity Type	Non-condensing
IP Rating	IP20
Shock Acceleration (Max.)	30 g
Vibration Acceleration (Max.)	2 m/s ²
Vibration Frequency, Operational (Max.)	500 Hz
Vibration Rating	IEC 60068-2-6

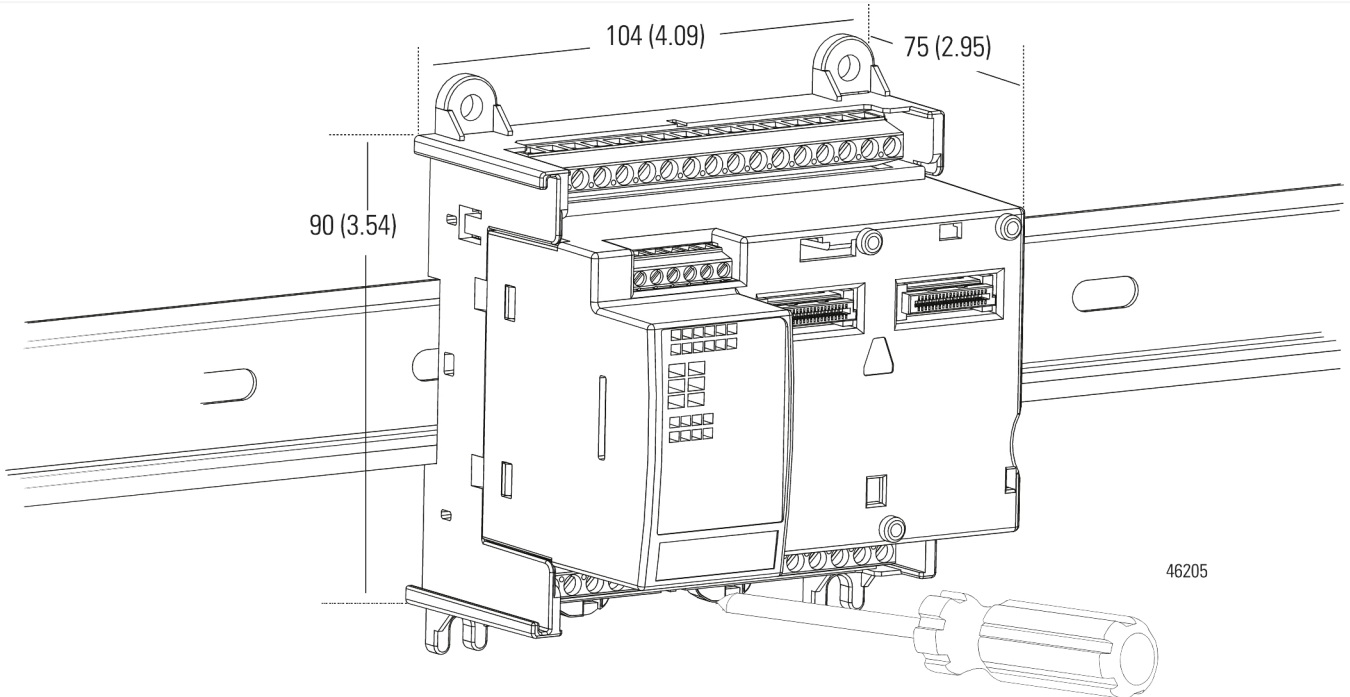
REFERENCES

IECEX Certificate	-
Supplier Declaration of Conformity:	-
Installation Guide:	-
User Manual:	-
Manufacturer Datasheet:	2080LC2020QWB_ManufacturerDatasheet
Manufacturer Catalogue & Product Selection:	-

Catalogue No: 2080-LC20-20QWB

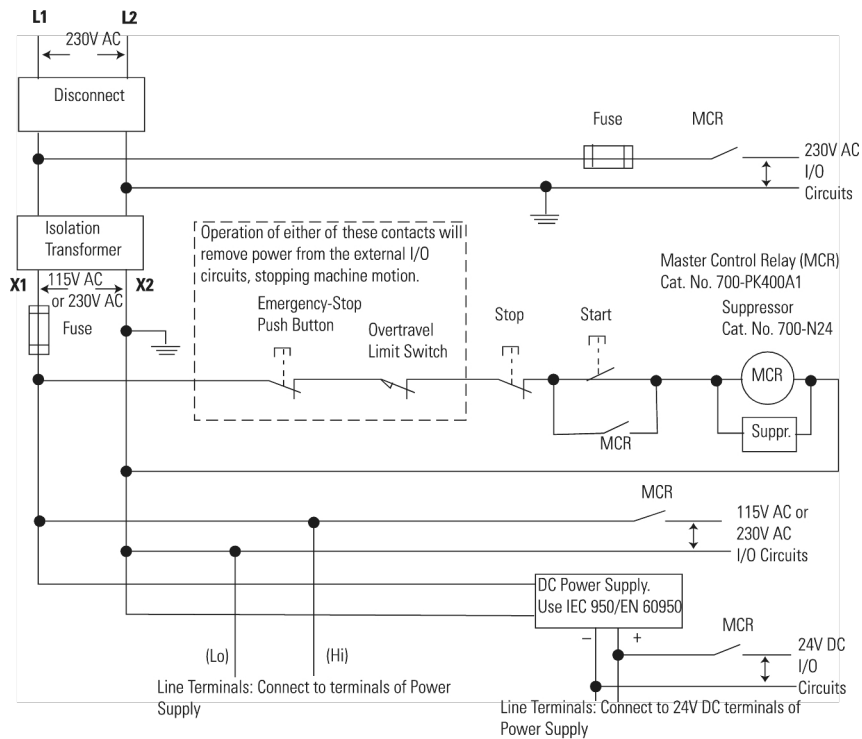
M820 8DI 4AI CONFIG 7DO RELAY 1AO ENET RS232/485 24V DC

Automation Systems > Micro Programmable Controllers and Smart Relays > Micro PLCs > Allen-Bradley® Micro820®, Micro830®, Micro850® and Micro870® Controllers > Micro820® Controllers



Measurements in millimeters (inches)

Dimension Diagram



Connection / Wiring Diagram