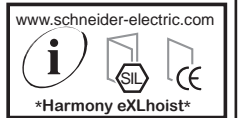


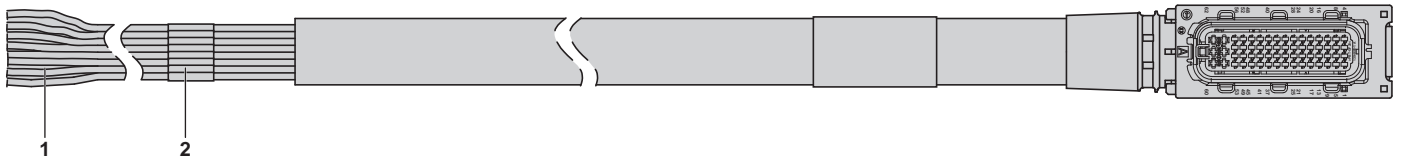
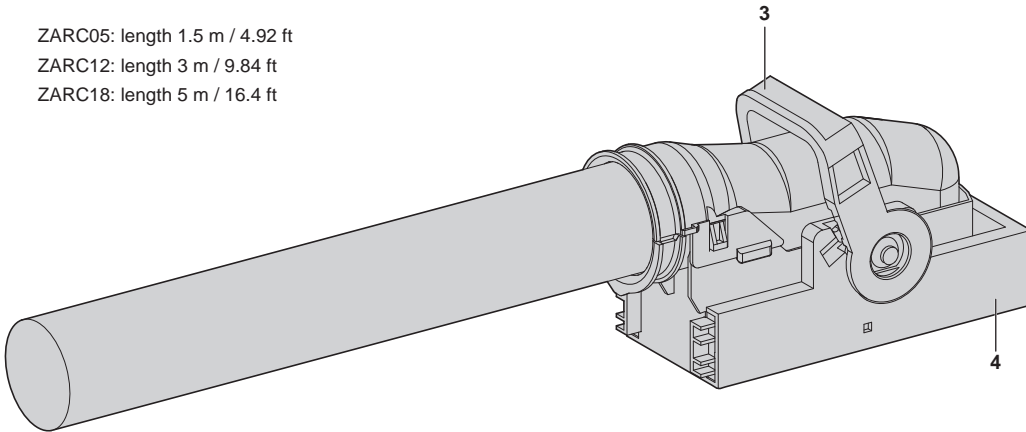


A

Female Connector Plug with Cable for ZARB12H/ZARB18H



ZARC05: length 1.5 m / 4.92 ft
 ZARC12: length 3 m / 9.84 ft
 ZARC18: length 5 m / 16.4 ft



- 1. Free wires
- 2. Labels indicating pinout information
- 3. Locking lever
- 4. Connector

⚠ DANGER

HAZARD OF ELECTRIC SHOCK, EXPLOSION OR ARC FLASH

- Disconnect all power from all equipment including connected devices, prior to removing any covers or doors, or installing or removing any accessories, hardware, cables, or wires except under the specific conditions specified in the appropriate hardware guide for this equipment.
 - Always use a properly rated voltage sensing device to confirm the power is off where and when indicated.
 - Replace and secure all covers, accessories, hardware, cables, and wires and confirm that a proper ground connection exists before applying power to the unit.
 - Use only the specified voltage when operating this equipment and any associated products.
- Failure to follow these instructions will result in death or serious injury.**

⚠ WARNING

UNINTENDED EQUIPMENT OPERATION

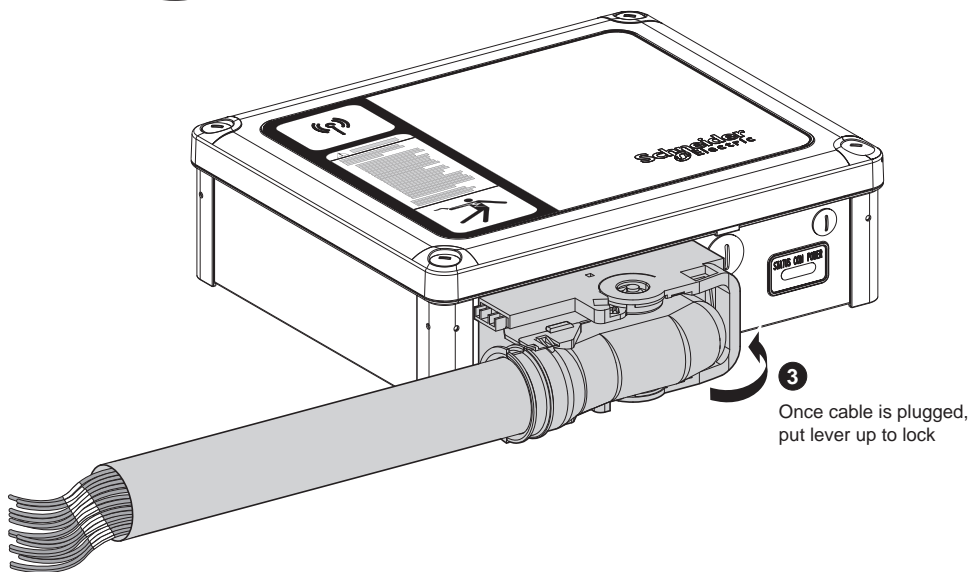
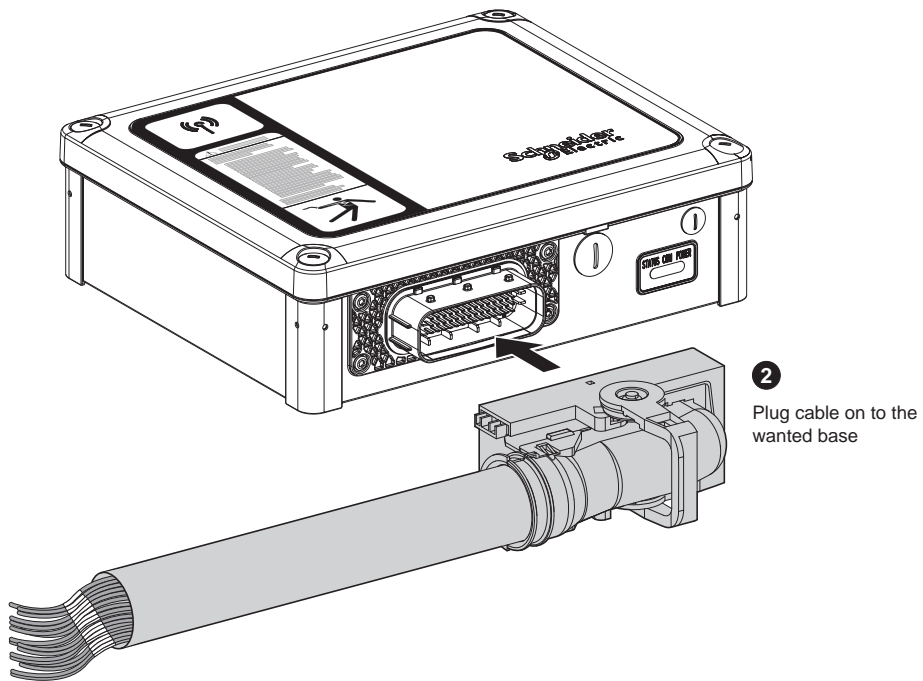
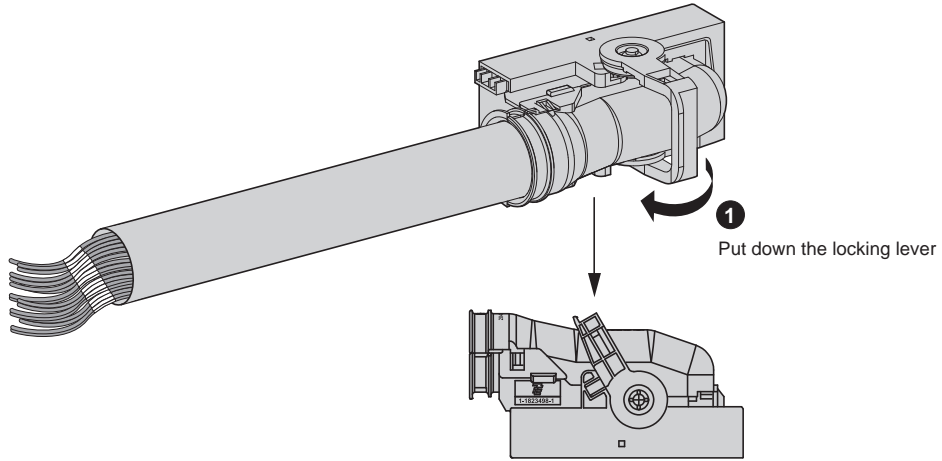
- Use appropriate safety interlocks where personnel and/or equipment hazards exist.
- Install and operate this equipment in an enclosure appropriately rated for its intended environment.
- Do not disassemble, repair, or modify this equipment.
- Do not connect any wiring to unused connections, or to connections designated as Not Connected (N.C.).

Failure to follow these instructions can result in death, serious injury, or equipment damage.

Electrical equipment should be installed, operated, serviced, and maintained only by qualified personnel.
 No responsibility is assumed by Schneider Electric for any consequences arising out of the use of this material.

B

Connection to a Base ZARB12H/ZARB18H



4 Refer to user manual for the pin assignments