

Main

Range of product	Harmony XAR
Accessory / separate part type	Holder
Accessory / separate part category	Support accessory

Complementary

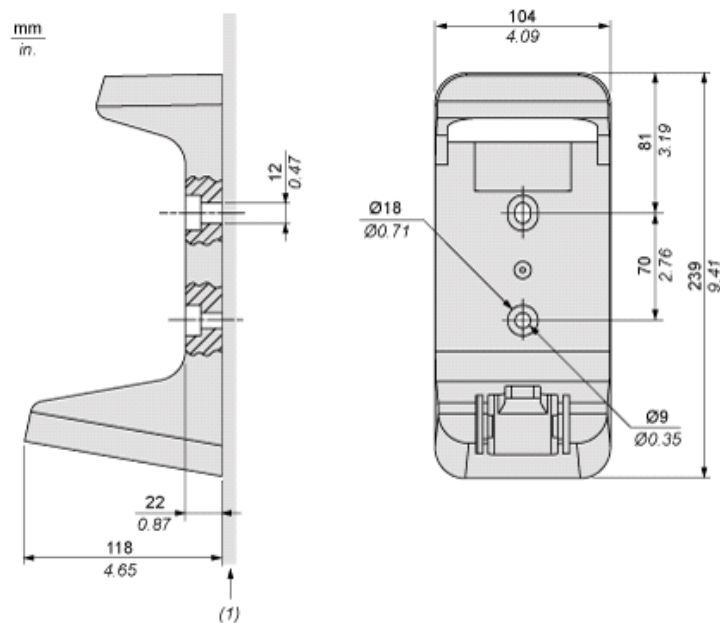
Material	Polypropylene
Width	104 mm
Height	239 mm
Depth	115 mm
Product compatibility	ZART remote control
Product weight	0.25 kg

Environment

Offer Sustainability

Sustainable offer status	Not Green Premium product
RoHS (date code: YYWW)	Compliant - since 1415 - Schneider Electric declaration of conformity
REACH	Reference not containing SVHC above the threshold

Dimensions



(1) Installation on flat surface

The information provided in this documentation contains general descriptions and/or technical characteristics of the performance of the products contained herein. This documentation is not intended as a substitute for and is not to be used for determining suitability or reliability of these products for specific user applications. It is the duty of any such user or integrator to perform the appropriate and complete risk analysis, evaluation and testing of the products with respect to the relevant specific application or use thereof. Neither Schneider Electric Industries SAS nor any of its affiliates or subsidiaries shall be responsible or liable for misuse of the information contained herein.