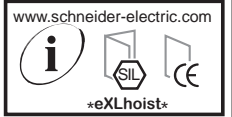
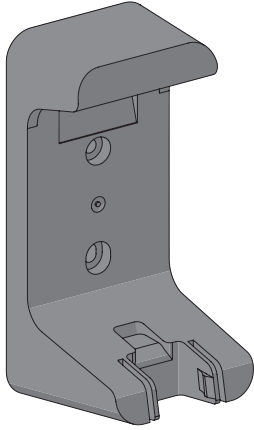




A

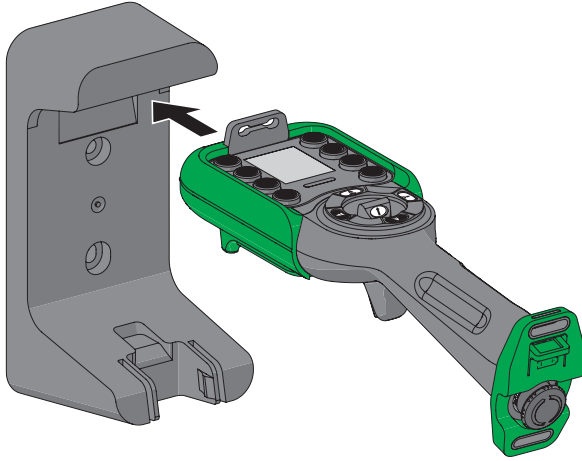
Remote Holder



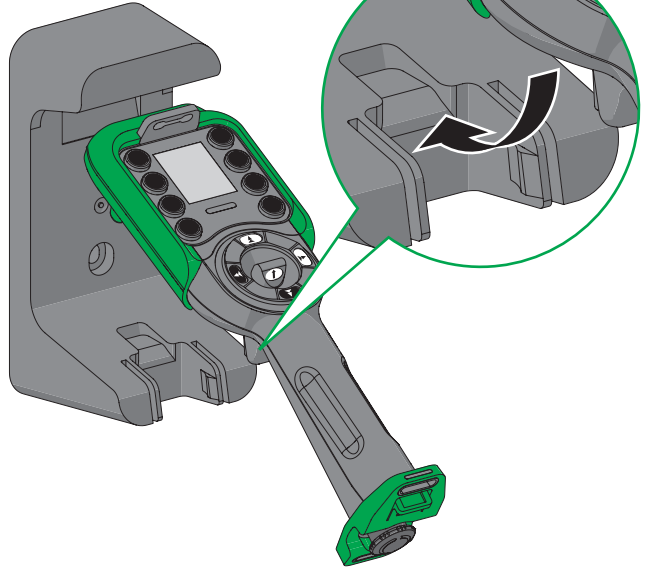
B

Mounting Steps

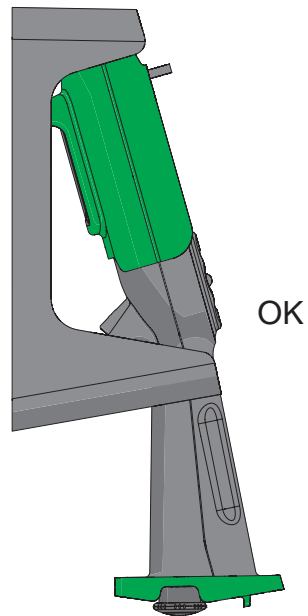
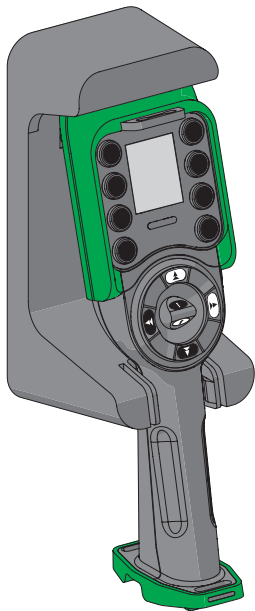
1



2



3

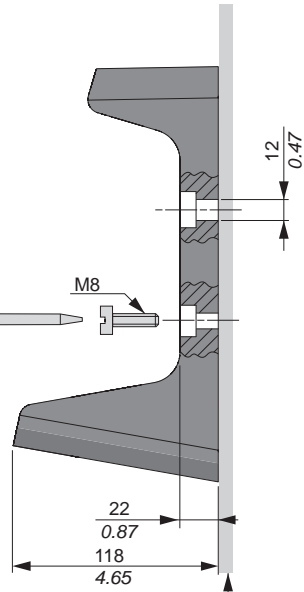
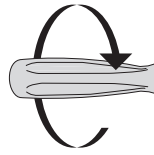




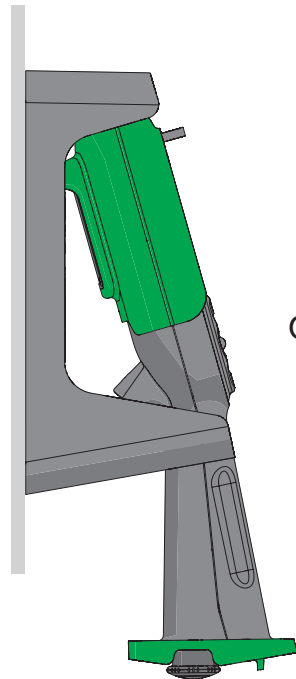
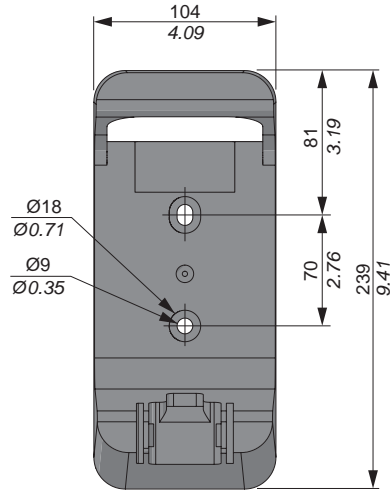
Dimensions

mm
in.

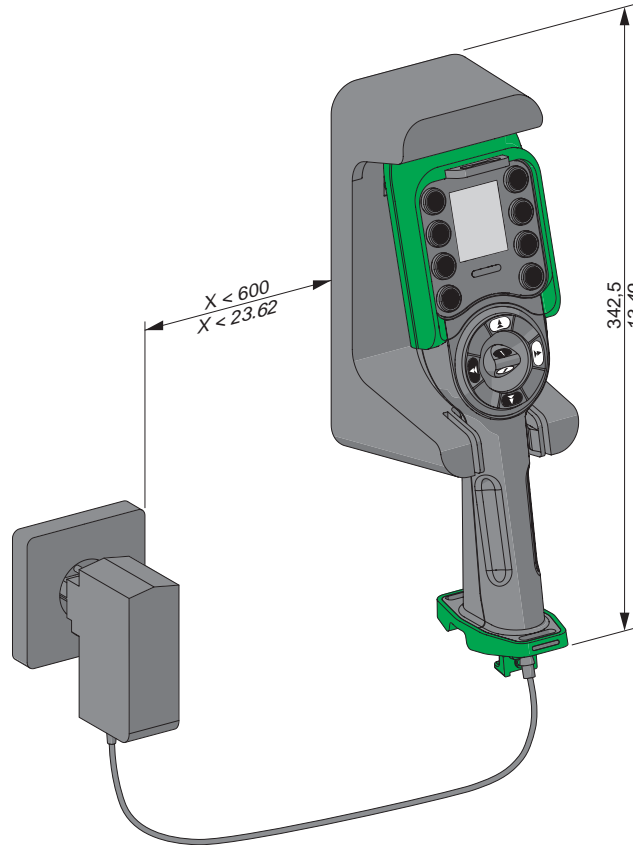
5 Nm max.
44.25 lb-in max.



Installation on flat surface

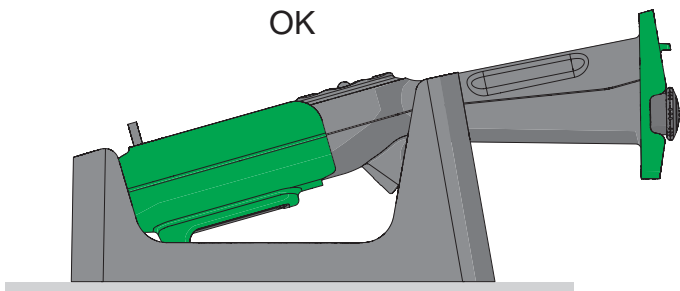


OK



$X < 600$
 $X < 23.62$

342.5
13.49



OK