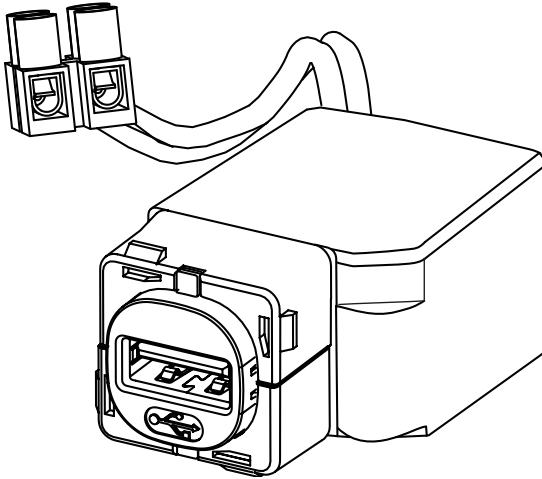


USB Charging Module 30USBCM



Installation Instructions



230V



Contents

1.0 Product Range	3
2.0 Safety	4
3.0 Installation	5
3.1 Wiring Diagrams	6
4.0 Specifications	7
5.0 Standards Complied	8
6.0 Warranty and Support	9

This Installation Instruction document applies to the following product:

30USBCM USB Charging Module

The 30USBCM is a USB charger designed for Clipsal's 30 Mech apparatus range. This charger is designed to be a universal battery charger suitable for a wide variety of products that are compatible with USB charging including phones, smart phones, tablets, cameras, GPS devices and many other products.

© 2014 Schneider Electric. All rights reserved.

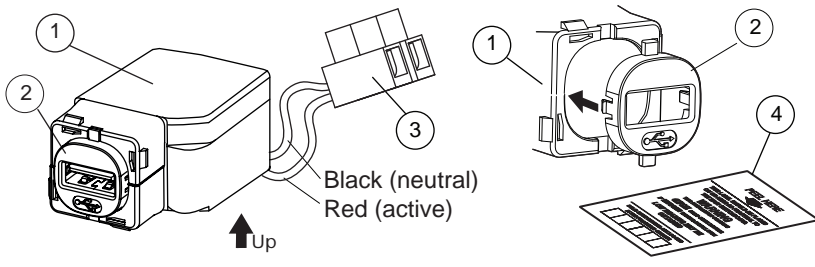
Clipsal and C2000 Series are trademarks of Schneider Electric Industries SA or its affiliated companies. Other trademarks are the property of their respective owners.

The information in this manual is provided in good faith. Schneider Electric has endeavoured to ensure the relevance and accuracy of the information. The company assumes no responsibility for any loss incurred as a result of its use. Schneider Electric does not warrant that the information is fit for any particular purpose, nor does it endorse its use in applications that are critical to the health or life of any human being. Schneider Electric reserves the right to update the information at any time without notice.

1.0 Product Range

The 30USBCM Charging Module is sold as a standalone item. The USB Charging Module (USB Charger) can be installed in a wide range of wall switch plates and switched outlets that are compatible with 30mech products. You can also purchase a C2015USBxx series switched horizontal socket with one or two charging modules pre-installed in the grid.

Catalog Number	USB Charging Module
30USBCM	USB Charging Module with 2-wire screw type connector. Suits 30 mech grid apertures. Output 1.2A at 5V nominal, Input 230V 50Hz, 6W. Includes white front cap, installed.
	Coloured Front Caps for USB Charging Module
USBC-CAPS-3A	Arctic Silver
USBC-CAPS-3S	Chrome Shadow
USBC-CAPS-BK	Black
USBC-CAPS-BR	Brown
USBC-CAPS-CM	Cream
USBC-CAPS-DB	Dark Blue
USBC-CAPS-DS	Desert Sand
USBC-CAPS-GR	Green
USBC-CAPS-RD	Red
USBC-CAPS-SG	Soft Grey



- ① USB Charging Module (30USBCM)
- ② Coloured cap; a white cap is installed at the factory
- ③ Terminal block
- ④ Label: Megger Test Switchboard Label (must be placed at the switch board)

Figure 1. 30USBCM USB Charging Module

2.0 Safety

The safety information in this section is critical to the safe installation and proper operation of the 30USBCM. Please read and follow these safety notices:

WARNINGS Electrical Shock Hazard

The 30USBCM USB Charging Module operates on a supply voltage of 230Va.c. Use due caution when installing or changing out the product. These basic safety rules must be followed to prevent serious personal injury:

- The USB charging module must be installed by a licenced electrical installer.
- The supply circuit must be turned off, locked and tagged before wiring the 30USBCM.
- The USB module must be connected to a supply circuit protected by an appropriate isolating device. The module must never be used outside of an approved wall box. Wall boxes should be earthed.
- After wiring, the terminal block must be wrapped with insulating tape.
- Do not attempt to disassemble the module. There are no user serviceable parts inside.
- The 30USBCM is for indoor use only.

The 30USBCM is a convenient source of power to charge batteries in USB devices. With proper care, the module should last for an extended period. There are no internal adjustments or calibrations required. The module has low standby power requirements (see Specifications).

Caution Improper Use Can Cause Product Failure

- The 30USB Charging Module is designed for charging batteries in rechargeable USB devices only. Any other application can damage the module or the attached equipment.
- Never insert anything except a USB cable plug in the module aperture. In the event of a short-circuit condition, the fuse inside the module will blow and the module will be rendered inoperative.
- The module must not be connected to any load in excess of the rated value of 6 Watts. A high quality USB cable must be used for best results. Avoid using any USB cable longer than 40cm.
- The module is not meant to provide power to operate electronic devices. Do not plug USB flash drives or disk drives into the USB Charging Module.

Do not Megger Test the a circuit that has one or more 30USBCM modules installed. The module contains electronics that will make Megger readings difficult to interpret. The Megger Test Warning Label (supplied with the charging module) must be placed near the isolating device that controls the supply circuit.

The USB Charging Module must be installed in a 30mech switch grid, C2000 Series socket outlet, or equivalent. If you are unsure about compatibility with a particular switch plate, contact your local Schneider Electric sales office.

3.0 Installation

Refer to the *30USBCM USB Charging Module Quick Start Guide* that is provided with the product. Obey all safety instructions in this instruction and in the quick start guide. Use the diagrams and instructions on the following pages during installation.

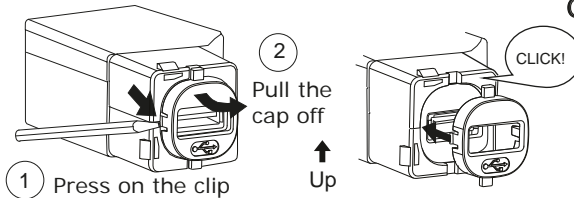
Suitable Location and Housing

Select a suitable location for the charging module. When charging a USB device, the device must not hang by the USB cable from the charging module. Install the charging module where it is convenient to place the attached equipment.

Use a standard wall box, such as the 157 series. The charging module must be installed in a suitable 30 mech grid such as the C2000 Series switch plates. You must never attempt to operate the charging module outside of a properly fitted switch or socket outlet.

Installing the USB Charger in a 30mech Switch Aperture

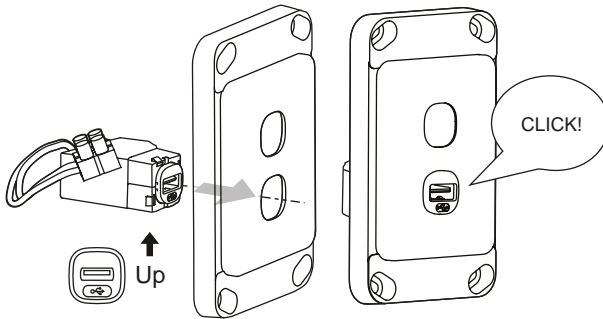
The USB Charging Module is a click-fit 30mech device that requires no tools during installation in a compatible switch or socket outlet grid. A white front cap is installed and can be replaced with a coloured cap if desired.



Cap Removal and Replacement

To remove an installed cap, press on the clip and pull the cap off.

To install a cap, align the clips with the opening in the charger and press the cap until it clicks in place.



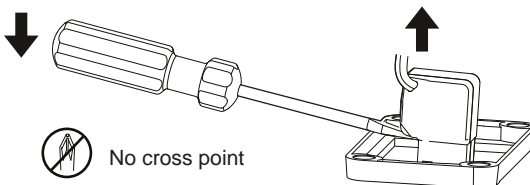
Grid Plate Installation

Install the module with the USB logo at the bottom of the aperture.

Push the USB module into the 30 series grid plate until a click is heard.

Note: Your grid plate configuration may differ from the illustration.

Slow !



Removing a USB Module

Pry the USB module out slowly and carefully.

Use only a flat-blade (standard) screwdriver, 4mm wide minimum.

Figure 2. Typical installation of the 30USBCM in a 30mech switch grid.

3.1 Wiring Diagrams

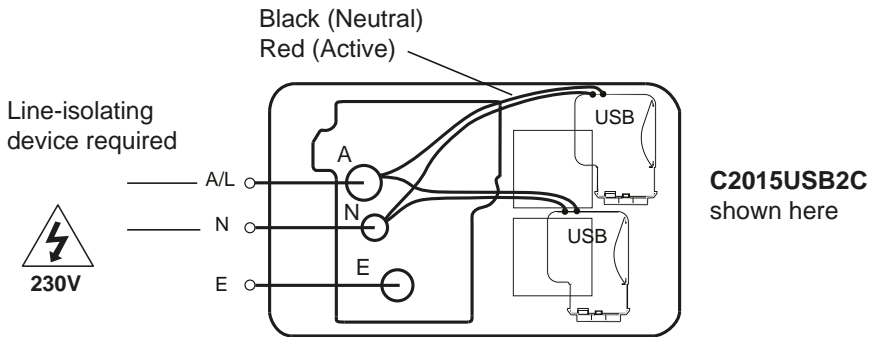
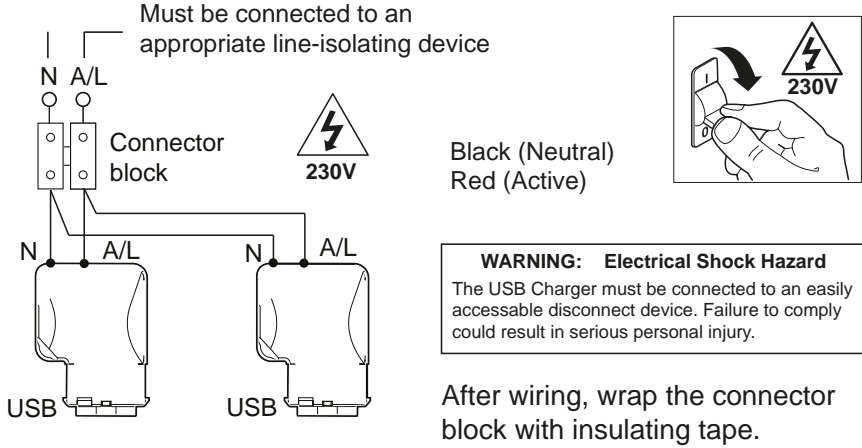
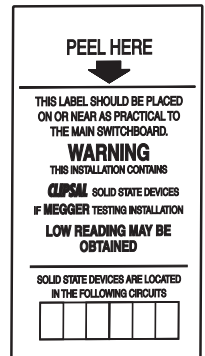


Figure 3. Wiring details and diagram

Megger Test Label

As stated on the label, the electronic components inside the USB Charging Module can give a very low reading on a Megger. It is recommended that you check the wiring before connecting the USB module.

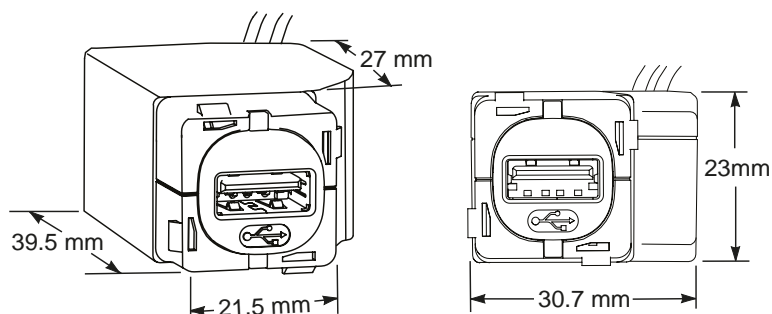
Write in the circuit information and then affix the supplied Megger Test switchboard label near the device that isolates the supply circuit.



4.0 Specifications

The USB Charger must never be operated outside of an approved grid plate and wall box.

Specification	Value/Description
Supply voltage	230Va.c., nominal
Supply frequency	50Hz
Output voltage	4.75-5.25Vd.c.
Output current	1.2A max. at 5.0Vd.c.
Standby power	Less than 0.07W
Application	USB battery charger for portable USB devices
Mounting	Must be installed in an approved 30mech aperture grid or an adapter specifically designed for 30mech devices.
Location	Indoor use only. Can be placed with other USB chargers, switches and dimmers in a 30mech grid plate.
Input connections	2-Wire polarised input, includes screw-terminal connector. RED-active/line; BLK-neutral; lead length ~110mm
Output connector	Standard USB socket
Grid compatibility	30mech aperture: 2000 Series: single GPO with 1 or 2 USB outlets C2000 Series (Classic): single GPO with 1or 2 USB outlets 600 Series: To be fitted to a 600 Series product using an adapter. 800/8000 Series: To be fitted to an 800 Series product using an adapter. EPIC Ulti (not sold as an assembled product): Must be fitted into a 30 Series aperture.
Dimensions	23mm H x 30.7mm W x 39.5mm D
Weight	30g



5.0 Standards Complied

DECLARATIONS OF CONFORMITY

Warning: Any modifications to the USB Charging Module not expressly approved by Clipsal or Schneider Electric could void the users authority to operate this equipment.

The 30USBCM USB Charging Module complies with the following:

European Committee for Standardisation



Regulation	Standard	Title
Safety	IEC 60950-1	Information technology equipment -- Safety -- General requirements.
EMC	CISPR 22	Information technology equipment -- Radio disturbance characteristics -- Limits and methods of measurement.
Immunity	CISPR 24	Information technology equipment -- Immunity characteristics -- Limits and methods of measurement.
Disposal	WEEE-2002/96EC	Electrical and electronic equipment waste
	EU 94/62 EC	EU packaging waste directive

Australian and New Zealand Standards



Regulation	Standard	Title
Safety	IEC 60950-1	Information technology equipment -- Safety -- General requirements.
	AS/NZS 3100	Approval and test specification -- General requirements for electrical equipment.
EMC	CISPR 22	Information technology equipment -- Radio disturbance characteristics -- Limits and methods of measurement.
	AS/NZS 4665	Performance of external power supplies - Test methods and energy performance mark.

6.0 Warranty and Support

Warranty Statement

Schneider Electric (Australia) Pty Ltd, (Clipsal by Schneider Electric), warrants this product to be free from defects in materials and workmanship for a period of twenty (20) months from the date of installation or twenty-four (24) months from the date of purchase of this product, whichever is the earliest. The benefits conferred herein are in addition to any other rights and remedies you may have at law in respect to this product. Australian and New Zealand customers please see the notes below.

Australian Consumer Law specifies that our goods come with guarantees that cannot be excluded. You are entitled to a replacement or refund for a major failure and compensation for any other reasonably foreseeable loss or damage. You are also entitled to have the goods repaired or replaced if the goods fail to be of acceptable quality and the failure does not amount to a major failure.

New Zealand. This guarantee is in addition to and does not affect your rights under applicable law, except where that law expressly provides otherwise. The Consumer Guarantee Act 1993(NZ) will not apply if this product is purchased for the purpose of business.

This warranty is expressly subject to the Schneider Electric product being installed, wired, tested, operated and used in accordance with our instructions and specifications. Any alterations or modifications made to the product without our permission will void the warranty.

Schneider Electric will at its option repair, replace or refund any defective product. The cost of replacement or repair of a defective product is limited to the price of the product only. Schneider Electric will not be responsible for the cost of retrieving, removing, reinstalling, transporting (including return of the defective product to us) or re-testing a product.

How to make a claim: You shall provide Schneider Electric with adequate particulars of the defect within 28 days of the fault occurring. Contact your local Schneider Electric, PDL or Clipsal products' supplier and provide the details of the date of purchase, description of load or connections and the circumstances of the failure. Returned products must be securely packed and labeled for proper processing.

Technical and Sales Support

For assistance with technical problems, contact your nearest Schneider Electric sales representative.

Australia

Schneider Electric (Australia) Pty Ltd
Customer Care Australia: 1300 202 525, Fax 1300 202 556
Technical Support 1300 722 247 (Support Hotline for Australia)
Technical Support email: cis.support@clipsal.com.au
www.schneider-electric.com.au

New Zealand

Schneider Electric (NZ) Ltd
38 Business Parade South, Highbrook, East Tamaki, Manukau 2013
P.O. Box 259370 Botany, Manukau 2163
Telephone +64 9-829 0490, Fax +64 9-829 0491
After hours service hotline: 0800 735 4357 (New Zealand only)
Customer Care: 0800 652 999
Email: sales@nz.schneider-electric.com
www.schneider-electric.com

Schneider Electric (Australia) Pty Ltd

clipsal.com

33-37 Port Wakefield Road
Gepps Cross, SA 5094

Contact us: clipsal.com/feedback

© 2014 Schneider Electric. All Rights Reserved.

Schneider Electric (Australia) Pty Ltd reserves the right to change specifications, modify designs and discontinue items without incurring obligation. Every effort is made to ensure that descriptions, specifications and other information in this document are correct. However, no warranty is given in respect thereof and the company shall not be liable for any error therein.

Trademarks are owned by Schneider Electric Industries SA or its affiliated companies.