

LED Highbay

Features

- ▶ Energy savings up to 42% (230W for replacing MH400W)
- ▶ Full range of lumen packages from 12,000 lm up to 24,000 lm
- ▶ Light weight for easier handling & installation
- ▶ Simple plug-and-play motion sensor for additional energy savings

Application

- ▶ Factory
- ▶ Gymnasium
- ▶ Warehouse

Product details

Suitable for diverse applications

- Available with 50° and 85° beam angles to suit different ceiling height and applications types (175 W / 240 W)



Quick & easy installation

- Light weight



- Carabiner mounting



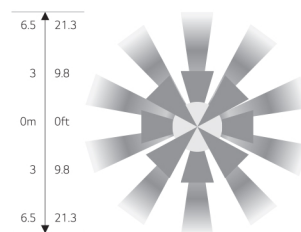
Motion sensor

- Wireless zone control (Optional)

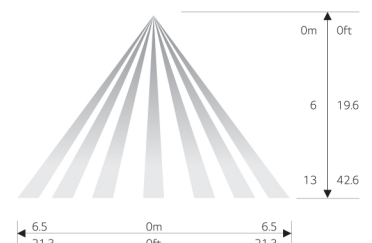


- Wide sensor detection area

Top view

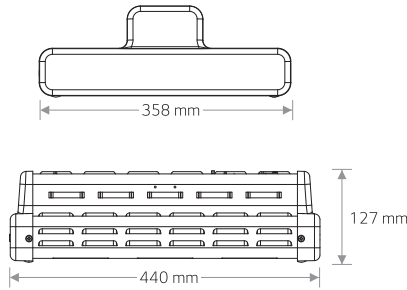


Side view



Dimension

120 W

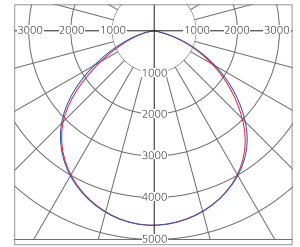
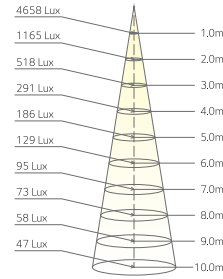


Photometrics

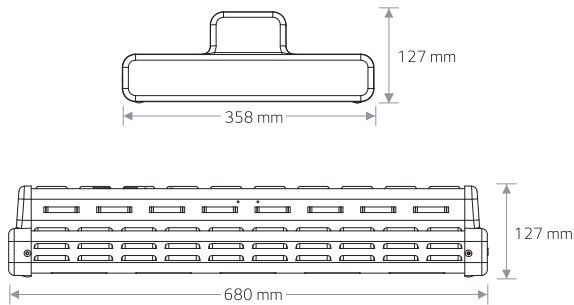
Cone Lux Diagram

Luminance intensity distribution

120 D



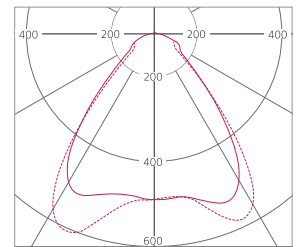
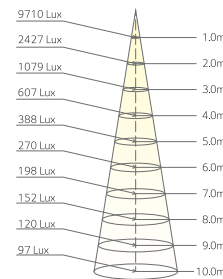
175 W



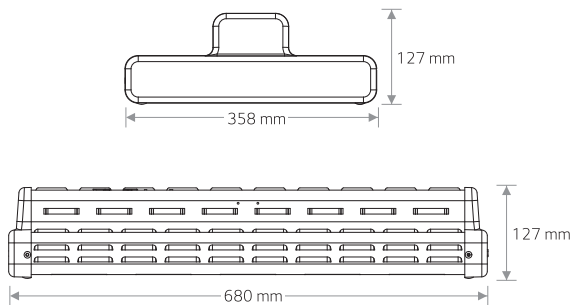
Cone Lux Diagram

Luminance intensity distribution

85 D



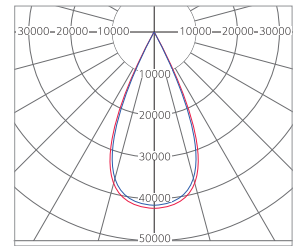
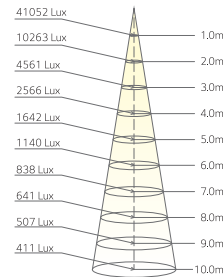
230 W



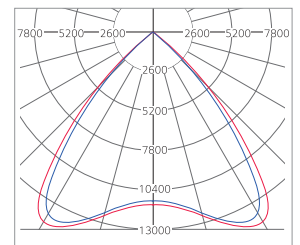
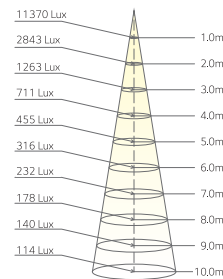
Cone Lux Diagram

Luminance intensity distribution

50 D



85 D



Specifications & ordering information

LED Highbay

Model code	Power consumption	Luminous flux	Efficacy	CCT	CRI	Beam angle	IP	IK	Input voltage	Dimensions	Weight	Operating temperature	Glow wire test	Lifetime (L80B10)	Dimmability
H1240PA2N0A	120 W	12,000 lm	100 lm/W	4000 K	≥80	120°	20	08	100-240 Vac	440 X 358 X 127 mm	4 kg	-30 - 50 °C	850 °C	50,000 hrs	Step dim (Motion sensor)
H1740P85N0A	175 W	19,000 lm	109 lm/W	4000 K	≥80	85°	20	08	220-240 Vac	680 X 358 X 127 mm	9.5 kg	-30 - 50 °C	850 °C	50,000 hrs	Step dim (Motion sensor)
H2440P50N0A	230 W	24,000 lm	104 lm/W	4000 K	≥80	50°	20	08	220-240 Vac	680 X 358 X 127 mm	9.5 kg	-30 - 50 °C	850 °C	50,000 hrs	Step dim (Motion sensor)
H2440P85N0A	230 W	24,000 lm	104 lm/W	4000 K	≥80	85°	20	08	220-240 Vac	680 X 358 X 127 mm	9.5 kg	-30 - 50 °C	850 °C	50,000 hrs	Step dim (Motion sensor)

Motion sensor

Model code	Coverage	Detect range	Dimming adjustment	Timer adjustment	Input voltage	Operating temperature
9SD751TVDA	360°	max. 13 m	0%, 30%, 100%	0.5 ~ 20 min.	2.7-3.3 Vdc	-20-50 °C

For continual product development, LG reserves the right to change specifications or designs without notice.
Copyright © 2015 LG Electronics. All rights reserved.