

HNS460SW OWNER'S MANUAL



Scan our QR code with your phone to go directly to our website for technical information



1. FEATURES

- Soft touch push button ON/ OFF switch.
- Blue LED indicates device status.
- Returns to OFF after loss of power.
- Compatible with a wide range of load types including wire wound transformers & fan motors.
- Compatible with HPM and Clipsal Style wall plates.
- Multi-way Switching compatible with the S-Click HNS020RB Remote Button.

2. OPERATING CONDITIONS

- Operating Voltage: 230 – 240V a.c. 50Hz
- Operating Temperature: 0 to +50 °C
- Compliance Standard: CISPR15, AS/NZS 3100, AS/NZS 60669.2.1
- Maximum Load: 1200W / 500VA
- Maximum Current capacity: 5A
- Terminals: Screw Terminals suit 0.5mm² to 1.5mm² stranded (bootlace terminal recommended)

Note: Operation at temperature, voltage or load outside of the specifications may cause permanent damage to the unit.

3. LOAD COMPATIBILITY

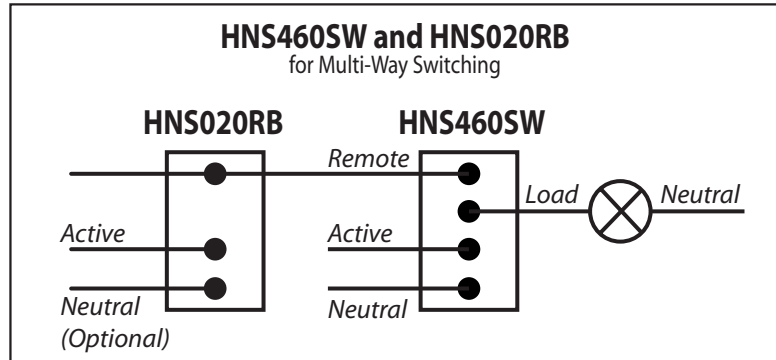
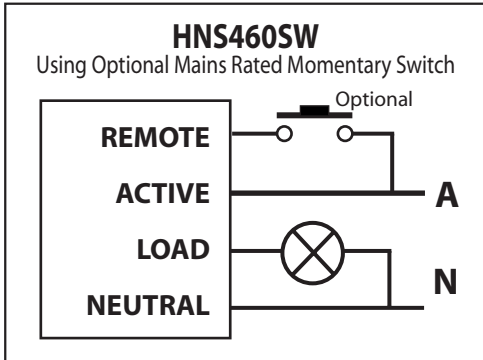
LOAD TYPE	COMPATIBILITY
Incandescent / 240V Halogen	1200W
Fluorescent Tube with Electronic Ballast	500VA
Fluorescent Tube with Iron Core Ballast	500VA
Compact Fluorescent	500VA
Electronic Transformer	500VA
LED	500VA
Wirewound Transformer	500VA
Fan Motors	500VA
Heating Elements	1200W

Note: This manual was correct at the time of manufacture. For the latest version of the manual and any technical or safety updates refer to the website:- www.sclick.com.au or scan the QR code with a mobile phone.

4. WIRING INSTRUCTIONS

WARNING: The HNS430SW is to be installed as part of a fixed wire electrical installation. By law such installations must be made by an electrical contractor or similarly qualified person.

NOTE: A readily available disconnect device, such as a type C 16A circuit breaker shall be incorporated external to the product.



4.1 REMOTE SWITCH

- The HNS460SW is multi-way switching compatible with the S-Click HNS020RB Remote Button. Alternatively, a mains rated momentary action switch can be used wired across the Active and Remote..
- Total length of remote wiring should not exceed 50 metres.
- Holding a remote button longer than 2 seconds will turn the power OFF.

5. IMPORTANT SAFETY WARNINGS

5.1 LOAD REPLACEMENT

- It should be assumed that even when OFF, mains voltage will still be present at the load fitting. Mains power should therefore be disconnected at the circuit breaker before replacing faulty loads.

5.2 INSTALLATION

- The HNS460SW is to be installed as part of a fixed wire electrical installation. By law, such installations must be made by an electrical contractor or similarly qualified person. Avoid excessive force on remote input wire or terminal block during installation.

5.3 LOW READING DURING INSULATION BREAKDOWN TEST

- The HNS460SW is a solid state device. Therefore a low reading may be observed when conducting insulation breakdown testing on the circuit.

5.4 CLEANING

- Clean only with a damp cloth. Do not use abrasives or chemicals.

6. TROUBLESHOOTING

6.1 LOAD FAILS TO TURN ON WHEN THE BUTTON IS PRESSED

- Ensure that the circuit has power by checking the circuit breaker.
- Ensure the load is not damaged or broken.

6.2 LOAD FAILS TO TURN OFF WHEN THE BUTTON IS PRESSED

- If the LED is OFF and if applicable, check that the remote push button is not stuck ON. If not the HNS460SW may be damaged and should be replaced.

9. WARRANTY AND DISCLAIMER

Legend Corporation Limited warrants the product against manufacturing and material defect from the date of invoice to the initial purchaser for a period of 12 months. During the warranty period Legend Corporation Limited will replace products that prove to be defective where the product has been correctly installed and maintained and operated within the specifications defined in the product data sheet and where the product is not subject to mechanical damage or chemical attack. The warranty is also conditional on the unit being installed by a licensed electrical contractor. No other warranty is expressed or implied.

Legend Corporation Limited shall not be liable for any direct, indirect, incidental or consequential damages.

Note: This manual was correct at the time of manufacture. For the latest version of the manual and any technical or safety updates refer to the website:- www.sclick.com.au or scan the QR code with a mobile phone.

CP14731 Rev 3, 7th June 2018

Ordering Information: Part No. HNS460SW

In support of our policy of continuous product improvement we reserve the right to change materials and specifications without notice. Drawings, where used, are not to scale. All dimensions are in millimetres and sizes given are approximate. Where possible, technical MSDS data sheets are made available on the website. All products should be installed and used in accordance with manufacturer's instructions provided. Warning: products may be the subject of registered designs and patents. Refer to website for terms and conditions on warranty.