

HNS430SW OWNER'S MANUAL



Scan our QR code with your phone to go directly to our website for technical information



2-WIRE NOT SUITABLE FOR FANS, MOTORS OR IRON CORE BALLASTS

1. FEATURES

- Soft touch push button ON/ OFF switch.
- Blue LED indicates device status.
- Returns to OFF after loss of power.
- Compatible with HPM and Clipsal Style wall plates.

2. OPERATING CONDITIONS

- Operating Voltage: 230 – 240V a.c. 50Hz
- Operating Temperature: 0 to +50 °C
- Compliance Standard: CISPR15, AS/NZS 3100, AS/NZS 60669.2.1
- Maximum Load: 400VA
- Minimum Load: 10VA
- Maximum Current capacity: 1.7A
- Terminals: Screw Terminals suit 0.5mm² to 1.5mm² stranded (bootlace terminal recommended)

Note: Operation at temperature, voltage or load outside of the specifications may cause permanent damage to the unit.

3. LOAD COMPATIBILITY

LOAD TYPE	COMPATIBILITY
LED Lamps ⁽¹⁾	400VA
Incandescent / 240V Halogen / Dichroic Lamps	400VA
Low Voltage Halogen / Dichroic Lighting with Iron-Core Transformers	Not Compatible
Low Voltage Halogen / Dichroic Lighting with Electronic Transformers ⁽¹⁾	400VA
Dimmable Compact Fluorescent Lamps ⁽¹⁾	400VA
Motors / Fans / Contactors / Relays / Transformers	Not Compatible
Fluorescent Tube with Electronic Ballast ⁽¹⁾ or Iron Core Ballast	Not Compatible

⁽¹⁾ Refer to lamp manufacturer's guidelines. Lamps must be compatible with electronic switches

Note: This manual was correct at the time of manufacture. For the latest version of the manual and any technical or safety updates refer to the website:- www.sclick.com.au or scan the QR code with a mobile phone.

4. WIRING INSTRUCTIONS

WARNING: The HNS430SW is to be installed as part of a fixed wire electrical installation. By law such installations must be made by an electrical contractor or similarly qualified person.

NOTE: A readily available disconnect device, such as a type C 16A circuit breaker shall be incorporated external to the product.

4.1 WIRING

- Disconnect power at the circuit breaker before any electrical work.
- Install the HNS430SW as per the wiring diagram in figure below.

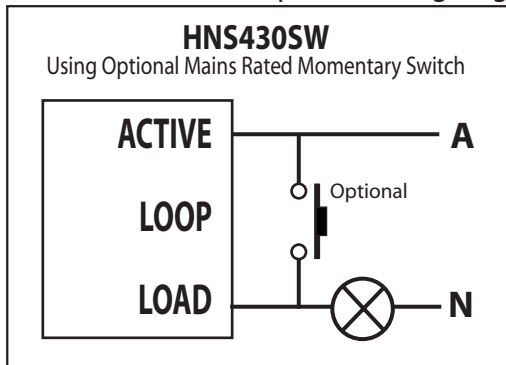


Figure 1

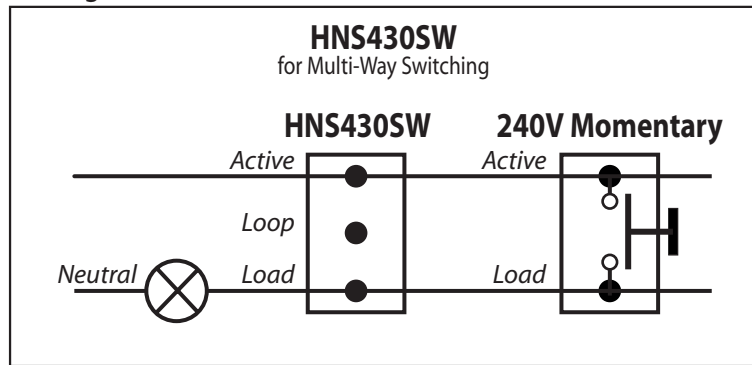


Figure 2

- Clip the button on to the HNS430SW. Ensure that the button is oriented so that the LED light pipe is aligned with the hole in the button, before attaching it to the wall plate.
- Affix Instruction Sticker behind wall plate.
- Reconnect power at the circuit breaker and affix Solid State Device Warning Sticker at switchboard.

Note: The HNS430SW is designed for indoor use. It is not rated for outdoor installation. If the unit is loose in the plate, the wall plate should be replaced. The wire strip length is 6.5mm.

4.2 MULTI-WAY SWITCHING

- The HNS430SW is multi-way switching capable by using mains rated momentary action switches wired across the Active and Load connections. Suitable switches include the HPM EM870K or Clipsal 681M20P.
- Total length of remote wiring should not exceed 50 metres.
- Holding a remote button for over 0.5 seconds will cause the lights to turn off.
- The lights will flash momentarily when turned off with a remote button.

4.3 DERATING

- In high ambient temperatures, the maximum load rating is reduced according to the table below.

AMBIENT TEMPERATURE	MAXIMUM LOAD
25°C	100%
30°C	90%
35°C	80%
40°C	70%
45°C	60%
50°C	50%

5. TROUBLESHOOTING

5.1 LOAD FAILS TO TURN ON WHEN THE BUTTON IS PRESSED

- Ensure that the circuit has power by checking the circuit breaker.
- Ensure the load is not damaged or broken.

5.2 LOAD FAILS TO TURN OFF WHEN THE BUTTON IS PRESSED

- If the LED is OFF and if applicable, check that the remote push button is not stuck ON. If not the HNS430SW may be damaged and should be replaced.

6. IMPORTANT SAFETY WARNINGS

6.1 LOAD REPLACEMENT

- It should be assumed that even when OFF, mains voltage will still be present at the load fitting. Mains power should therefore be disconnected at the circuit breaker before replacing loads.

6.2 INSTALLATION

- The HNS430SW is to be installed as part of a fixed wire electrical installation. By law, such installations must be made by an electrical contractor or similarly qualified person. Avoid excessive force on remote input wire or terminal block during installation.

6.3 LOW READING DURING INSULATION BREAKDOWN TEST

- The HNS430SW is a solid state device. Therefore a low reading may be observed when conducting insulation breakdown testing on the circuit.

6.4 CLEANING

- Clean only with a damp cloth. Do not use abrasives or chemicals.

7. WARRANTY AND DISCLAIMER

Legend Corporation Limited warrants the product against manufacturing and material defect from the date of invoice to the initial purchaser for a period of 12 months. During the warranty period Legend Corporation Limited will replace products that prove to be defective where the product has been correctly installed and maintained and operated within the specifications defined in the product data sheet and where the product is not subject to mechanical damage or chemical attack. The warranty is also conditional on the unit being installed by a licensed electrical contractor. No other warranty is expressed or implied.

Legend Corporation Limited shall not be liable for any direct, indirect, incidental or consequential damages.

Note: This manual was correct at the time of manufacture. For the latest version of the manual and any technical or safety updates refer to the website:- www.sclick.com.au or scan the QR code with a mobile phone.

CP14731 Rev 3, 7TH June 2018

Ordering Information: Part No. HNS430SW

In support of our policy of continuous product improvement we reserve the right to change materials and specifications without notice. Drawings, where used, are not to scale. All dimensions are in millimetres and sizes given are approximate. Where possible, technical MSDS data sheets are made available on the website. All products should be installed and used in accordance with manufacturer's instructions provided. Warning: products may be the subject of registered designs and patents. Refer to website for terms and conditions on warranty.