

Catalogue No: **D7P-F301PX10**

PUSHBUTTON 22.5mm PLASTIC FLUSH GREEN START 1NO

Operator Control Devices > Pushbuttons and Control Switches > Pushbuttons and Pilot Lights > Sprecher + Schuh D7 Pushbuttons and Pilot Lights > D7 Momentary Pushbuttons > D7 Complete Momentary Pushbuttons



Representative Photo Only
(actual product may vary based on configuration selections)

Button flush plastic Green "START" - 1N/O

- D7 pilot devices offer maximum flexibility and a wide choice for all 22.5mm operator applications with all type (e-stops, selector switches, pushbuttons, pilot lights and more), colour and contact configurations.
- Aesthetically appealing and modularly designed to make assembly and interchangeability easy.
- Operators exhibit low profile and stylish appearance while maintaining the rugged performance necessary for demanding environments
- D7P is a plastic operator with a captive black plastic front bezel. Constructed of high-grade thermoplastics, the D7P is suitable for almost all environments and strong chemical resistance.
- D7M has a die-cast zinc housing and mounting ring for rugged durability. Finished with corrosion resistant chrome plating, the D7M also features a captive shiny metal bezel for a polished appearance.

SPECIFICATIONS

Component Type Pushbutton and Pilot Lights	Pushbutton
Operator Type	Pushbutton, Flush type
Operator Action	Momentary action
Diameter, Operator	29.6 mm
Colour, Operator	Green colour
Material, Operator	Plastic material
Text, Operator	START
Operator Insert Type	Green insert
Material, Bezel	Glass-Filled Nylon / PA6 / PA66 (Polyamide 6)
Coupling Plate Included	Yes Y / N
Material, Coupling Plate	Glass-Filled Nylon / PA6 / PA66 (Polyamide 6)
Diameter, Mounting Hole(s)	22.5 mm
Contact Block Included	Yes
Contact Configuration	1 NO
In, Rated Current	10 A
Ie, Rated Operational Current, AC-1, 240V	10 A@240V
Ie, Rated Operational Current, AC-15, 110-120V	6 A@110-120V
Ie, Rated Operational Current, AC-15, 240V	3 A@240V
Ie, Rated Operational Current, AC-15, 415V	2.2 A@415V
Ie, Rated Operational Current, DC-13, 125V	0.6 A@125V
Mounting	22.5mm Mounting
Ui, Rated Insulation Voltage	680 V (rms)
Compatible Product Series	D7 22.5mm Control & Indication compatible
Material, Contacts	Silver Nickel (AgNi) material
Colour, Contact Actuator	Green
Terminal Type	Screw Terminal(s)
Material, Terminal	Brass
Material, Spring	Stainless Steel

Catalogue No: **D7P-F301PX10**

PUSHBUTTON 22.5mm PLASTIC FLUSH GREEN START 1NO

Operator Control Devices > Pushbuttons and Control Switches > Pushbuttons and Pilot Lights > Sprecher + Schuh D7 Pushbuttons and Pilot Lights > D7 Momentary Pushbuttons > D7 Complete Momentary Pushbuttons



Operating Force	5 N
Linear Travel to Actuation	2.5 mm
Pickup Voltage	17 V
Pickup Current	5 mA
Ith, Thermal Current, Open	10 A
Wire / Conductor Size (Min)	0.75 mm ² min
Wire / Conductor Size (Max)	2.5 mm ²
Dielectric Strength	2.5kV for 1 minute
Recommended Fuse Current Rating	10 A
Fuse Characteristic Type(s)	gL/gG
Illuminated	No Y / N
Tightening Torque, Nominal	1.7 Nm
Electrical Service Life at Un, In	500000 cycles
Mechanical Service Life	10000000 cycles
RoHS Approved	Yes
CE Marked	Yes
Operating Temperature, Max	70 °C max
Operating Temperature, Min	-25 °C min
Storage Temperature, Max	85 °C max
Storage Temperature, Min	-25 °C min
Relative humidity, min	50 %RH
Relative Humidity, Max	95 %RH
IP Rating	IP66 IP65
Shock Acceleration (Max.)	100 g
Shock Duration (Max.)	11 ms
Vibration Acceleration (Max.)	10 m/s ²
Vibration Displacement (Peak to Peak Max.)	1.52 mm
Vibration Frequency, Operational (Max.)	2000 Hz
Vibration Duration (Max.)	180 min
Standards Compliance	NEMA ICS-5 UL 508 EN 60947-1 EN 60947-5-1 EN 60947-5-5 EN 418
Certifications	UL UR CSA CCC CE
Shipping Approvals	RINA (Registro Italiano Navale) ABS (American Bureau of Shipping) Lloyd's Register of Shipping

Catalogue No: **D7P-F301PX10**

PUSHBUTTON 22.5mm PLASTIC FLUSH GREEN START 1NO

Operator Control Devices > Pushbuttons and Control Switches > Pushbuttons and Pilot Lights > Sprecher + Schuh D7
Pushbuttons and Pilot Lights > D7 Momentary Pushbuttons > D7 Complete Momentary Pushbuttons



REFERENCES

IECEX Certificate -

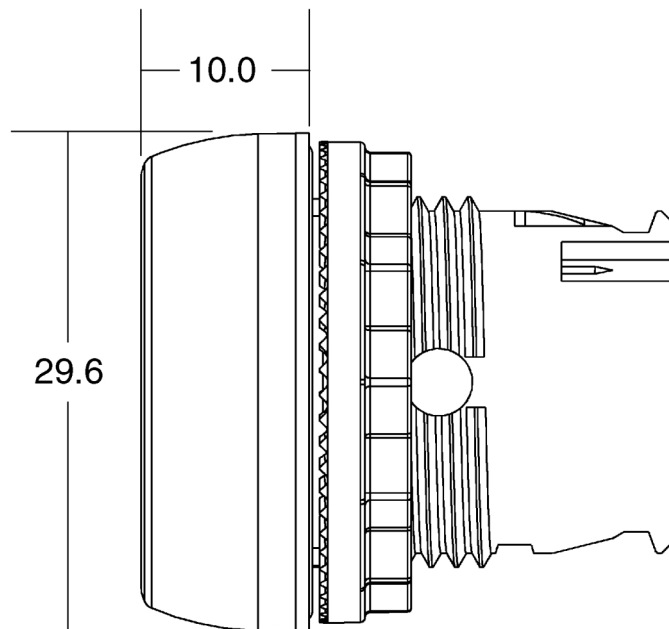
Supplier Declaration of
Conformity: -

Installation Guide: -

User Manual: -

Manufacturer Datasheet: [Series D7_Manufacturer Datasheet](#)

Manufacturer Catalogue
& Product Selection: -



Dimension Diagram