

HNS440TM OWNER'S MANUAL



Scan our QR code with your phone to go directly to our website for technical information



1. FEATURES

- Includes both Timer and No-Timer functions.
- Configurable Blue LED indicates device status.
- User programmable time-out period.
- Programmable in 1 minute increments from 1 to 60 minutes.
- When ON - Quick Tap turns power OFF.
- Time-out expiry warning given within the last 10 seconds of operation.
- Retains settings even after loss of mains power.
- Compatible with a wide range of load types including wire wound transformers & fan motors.
- Motion Detector mode delivers perfect operation with the S-Click HNS050MD & HNS060MD Motion Detectors
- Configurable power up ON or OFF after loss of mains power.
- Compatible with HPM and Clipsal Style wall plates.
- Multi-way Switching capable with the S-Click HNS020RB Remote Button.
- Time out set to 30 minutes out of box.

2. OPERATING CONDITIONS

- Operating Voltage: 230 – 240V a.c. 50Hz
- Operating Temperature: 0 to +50 °C
- Certification Standard: CISPR15, AS/NZS 3100, AS/NZS 60669.2.1
- Maximum Load: 1200W / 500VA
- Maximum Current capacity: 5A
- Terminals: Screw Terminals suit 0.5mm² to 1.5mm² stranded (bootlace terminal recommended)

Note: Operation at temperature, voltage or load outside of the specifications may cause permanent damage to the unit.

3. LOAD COMPATIBILITY

LOAD TYPE	COMPATIBILITY
Incandescent / 240V Halogen	1200W
Fluorescent Tube with Electronic Ballast	500VA
Fluorescent Tube with Iron Core Ballast	500VA
Compact Fluorescent	500VA
Electronic Transformer	500VA
LED	500VA
Wirewound Transformer	500VA
Fan Motors	500VA
Heating Elements	1200W

Note: This manual was correct at the time of manufacture. For the latest version of the manual and any technical or safety updates refer to the website:- www.sclick.com.au or scan the QR code with a mobile phone.

4. WIRING INSTRUCTIONS

WARNING: The HNS440TM is to be installed as part of a fixed wire electrical installation. By law such installations must be made by an electrical contractor or similarly qualified person.

NOTE: A readily available disconnect device, such as a type C 16A circuit breaker shall be incorporated external to the product.

4.1 WIRING

- Disconnect power at the circuit breaker before any electrical work.
- Install the HNS440TM as per the wiring diagram in figure below.

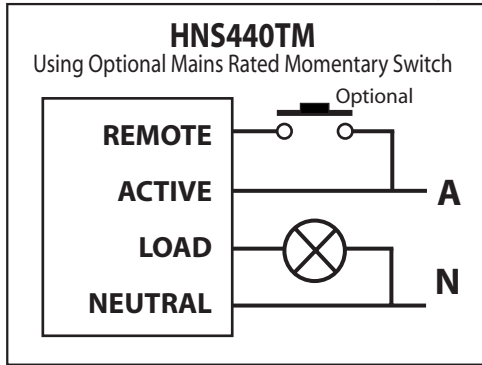


Figure 1

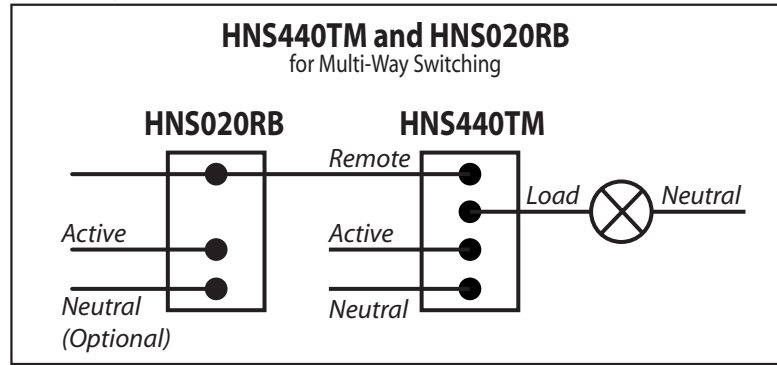


Figure 2

- Clip the button on to the HNS440TM. Ensure that the button is oriented so that the LED light pipe is aligned with the hole in the button, before attaching it to the wall plate.
- Affix Instruction Sticker behind wall plate.
- Reconnect power at the circuit breaker and affix Solid State Device Warning Sticker at switchboard.

Note: The HNS440TM is designed for indoor use. It is not rated for outdoor installation. If the unit is loose in the plate, the wall plate should be replaced. The wire strip length is 6.5mm.

4.2 MULTI-WAY SWITCHING

- The HNS440TM is multi-way switching capable with the S-Click HNS020RB Remote Button. Alternatively, a mains rated momentary action switch can be used, wired across the Active and Remote connections.
- There is no limit to the number of remote switches provided the total remote wire length does not exceed 50 metres.
- Holding a remote button for over 2 seconds will cause the timer to restart.
- The HNS440TM cannot be set to No-Timer mode using a remote button.
- The HNS440TM cannot be programmed using a remote button.

5. OPERATING INSTRUCTIONS

When the power is OFF the power can be turned on with the HNS440TM in either Timer mode or No-Timer mode.

5.1 TIMER

- A quick tap of the button (local or remote) will turn the power ON.
- The LED will flash indicating the number of minutes the power will be ON before power is turned OFF.
- The LED will blink every 5 seconds to indicate that timer mode is in operation.
- During the last 10 seconds of operation the LED will flash indicating imminent time out.
- During operation, the button (local or remote) may be given a quick tap to cancel the timer and turn the power OFF.

5.2 NO-TIMER

- Press and hold the button for 2 seconds until the LED indicator turns OFF.
- Release the button.
- Power will turn ON.
- The LED will turn ON and stay ON indicating and there is no timeout period and power will stay ON indefinitely.
- Any time during operation the button (local or remote) may be given a quick tap to turn the power OFF.

5.3 PROGRAMMING TIMER DURATION

- Programming mode may be entered at any time by pushing and holding the button down for 10 seconds. The LED will flash quickly to indicate that programming mode has been entered.
- To program, press the button between 1 and 60 times according to the desired delay in minutes. For example, 10 presses will result in a delay of 10 minutes. More than 60 presses will result in a delay time of 60 minutes being stored.
- Programming mode expires 10 seconds after the last button press. At this time the new delay is stored in memory. If no button presses were detected the delay time will be unchanged.
- It is only possible to enter programming mode from the local button.

NOTE: While adjusting the timer duration the operation modes cannot be changed.

6. OPERATION MODES

MODE	DESCRIPTION	FACTORY SETTINGS
1. Power Up ON	Unit powers up in the ON state	ON
2. LED Indicator	LED indicator always ON	OFF
3. Motion Detector	Modifies switch operation to work perfectly with S-Click HNS050MD and HNS060MD Motion Detectors	OFF

6.1 POWER UP ON

- The timer can be set to power up ON or power up OFF after the application of mains power. The default setting is ON. The OFF setting is useful for applications that have a master power switch or intermittent power supply.

6.2 LED INDICATOR

- The LED indicator can be set to always ON. This can be useful to show the location of the switch.

6.3 MOTION DETECTOR

- In this mode the timer operation is modified so that it works perfectly with the S-Click HNS050MD and HNS060MD Motion Detectors. The function of the remote input connection is adjusted, and the timer button will ignore inputs for 5 seconds after being turned off, to avoid motion re-triggering. The default setting is OFF. Turn this setting ON when using the timer with the S-Click Motion Detectors.

6.4 CHANGING OPERATION MODES

- Hold the button down for 10 seconds until the LED indicator starts flashing. Release the button.
- Hold the button down for 2 seconds until the LED indicator turns OFF.
- Release the button - the LED indicator will start flashing again.
- Press the button 1, 2 or 3 times to toggle the desired Operation Mode - see table above.
- When the LED indicator stops flashing the operation mode has been toggled.

NOTE: Only one mode can be toggled at a time.

NOTE: The operating mode cannot be changed while adjusting the timer duration

For example, to change the LED Indicator Setting

- Hold the button down for 10 seconds until the LED indicator starts flashing. Release the button.
- Hold the button down for 2 seconds until the LED indicator turns OFF.
- Release the button - the LED indicator will start flashing again.
- Press the button 2 times.
- When the LED indicator stops flashing the setting is now toggled.

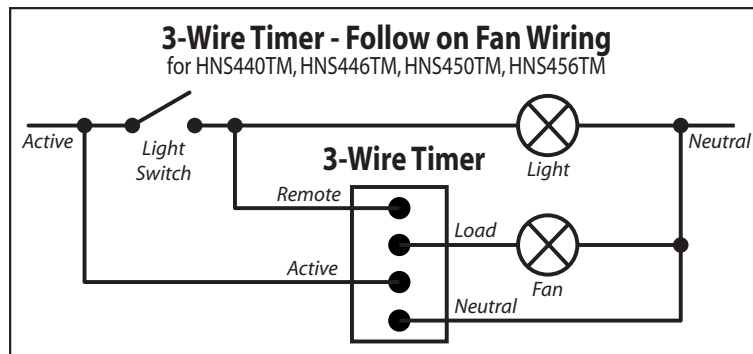
To Reset HNS440TM to factory settings

- Hold the button down for 10 seconds until the LED indicator starts flashing.
- Release the button.
- Hold the button down for 10 seconds again until the LED indicator starts flashing again.
- Release the button.
- The timer will turn OFF - the timer is now reset to factory settings.

7. APPLICATION WIRING GUIDES

7.1 FOLLOW ON TIMER

- Suitable for bathroom or toilet fans, or any application where a second load needs to turn off a certain time after the primary load is switched off.



- Switch light ON - Light turns ON, Fan turns ON and stays ON while the light is ON
- Switch light OFF - Light turns OFF, Fan stays ON for programmed time and then turns OFF
- Fan can be operated and programmed independently
- Requires Neutral
- S-Click 3-Wire timer can be positioned in ceiling to access Neutral

8. IMPORTANT SAFETY WARNINGS

8.1 LOAD REPLACEMENT

- It should be assumed that even when OFF, mains voltage will still be present at the load fitting. Mains power should therefore be disconnected at the circuit breaker before replacing loads.

8.2 INSTALLATION

- The HNS440TM is to be installed as part of a fixed wire electrical installation. By law, such installations must be made by an electrical contractor or similarly qualified person. Avoid excessive force on remote input wire or terminal block during installation.

8.3 LOW READING DURING INSULATION BREAKDOWN TEST

- The HNS440TM is a solid state device. Therefore a low reading may be observed when conducting insulation breakdown testing on the circuit.

8.4 CLEANING

- Clean only with a damp cloth. Do not use abrasives or chemicals.

9. WARRANTY AND DISCLAIMER

Legend Corporation Limited warrants the product against manufacturing and material defect from the date of invoice to the initial purchaser for a period of 12 months. During the warranty period Legend Corporation Limited will replace products that prove to be defective where the product has been correctly installed and maintained and operated within the specifications defined in the product data sheet and where the product is not subject to mechanical damage or chemical attack. The warranty is also conditional on the unit being installed by a licensed electrical contractor. No other warranty is expressed or implied.

Legend Corporation Limited shall not be liable for any direct, indirect, incidental or consequential damages.

Note: This manual was correct at the time of manufacture. For the latest version of the manual and any technical or safety updates refer to the website:- www.sclick.com.au or scan the QR code with a mobile phone.

CP14731 Rev 4, 7TH June 2018

Ordering Information: Part No. HNS440TM

In support of our policy of continuous product improvement we reserve the right to change materials and specifications without notice. Drawings, where used, are not to scale. All dimensions are in millimetres and sizes given are approximate. Where possible, technical MSDS data sheets are made available on the website. All products should be installed and used in accordance with manufacturer's instructions provided. Warning: products may be the subject of registered designs and patents. Refer to website for terms and conditions on warranty.