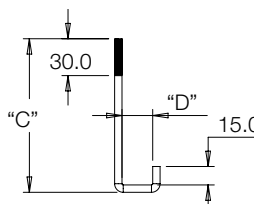


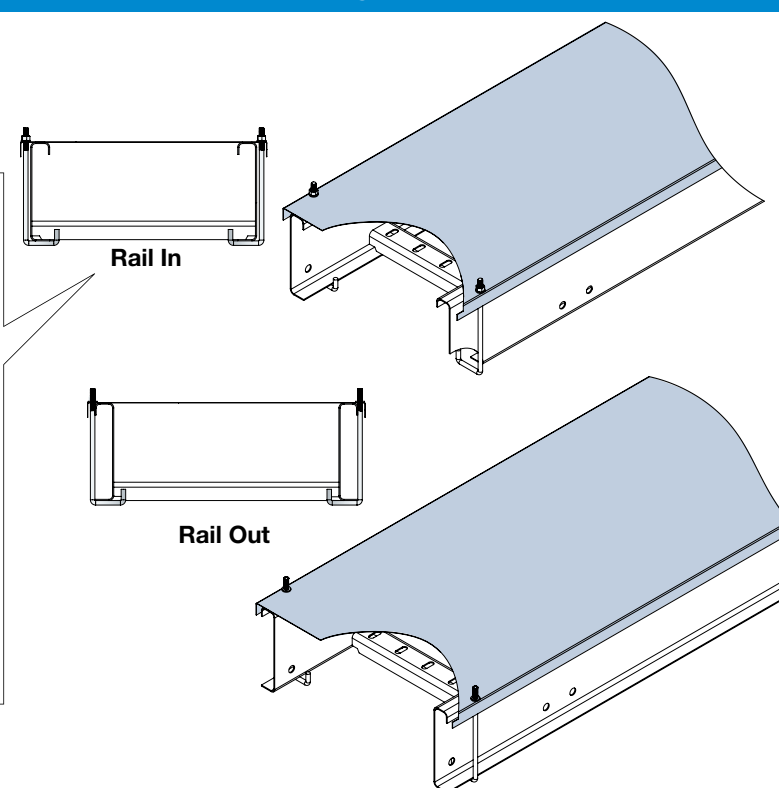
Cable Ladder Flat Covers

Flat Cover Hook Bolt Fixing

Hook Bolt Details
Material Stainless Steel C/W
Nylock Nut and Washer



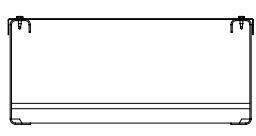
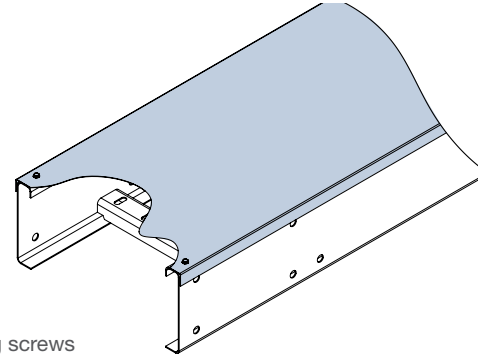
Code	LADDER	DIM "C"	DIM "D"
3CHB	3/50	125	25
4CHB	4/70	155	35
5CHB	5/112	170	35



Rail In

Rail Out

Flat Cover Snug Fit Fixing

Rail In

Optional snug fit with self tapping screws

Flat cover lengths can be supplied with ventilation louvres to order.

HDG cover standards

1. WA supplied in 1.6 mm HDG (code HH)
2. Eastern States up to 1.2 mm HDG (code H)

When Ordering

Range	Type	Size	Thickness	Std. Finish	Fastenings	Rail Direction	Fit	Finish
3	FC	15	L	G	K	RI or RO	SF	PC-COL
2 = 2/30	FC = Flat Cover	15 = 150 mm	L = 0.6 mm thk.	G = Galvabond	K = includes all required attachment hooks	RI = Rail In RO = Rail Out	SF = Snug Fit (to order) Note: no hook required	PC-COL = Paint Painted finish to Kounis standard colour range
3 = 3/50	FCV = Flat Cover with louvre vents	30 = 300 mm	M = 1.2 mm thk.	H = Hot Dip Galv				
4 = 4/70		45 = 450 mm	H = 1.6 mm thk.	S = 316 stainless steel				
5 = 5/112		60 = 600 mm 75 = 750 mm 90 = 900 mm		A = Aluminium				

NOTE: Rail In Ladder (RI) is a Kounis standard and will not show in a supply code. All Rail Out ladder will have RO suffix.

ORDERING EXAMPLE: 3/50 Cable Ladder Flat Cover 150 mm wide Light Duty Galvabond c/w attachment hooks. Painted finish to specification colour.

E.&O.E.