

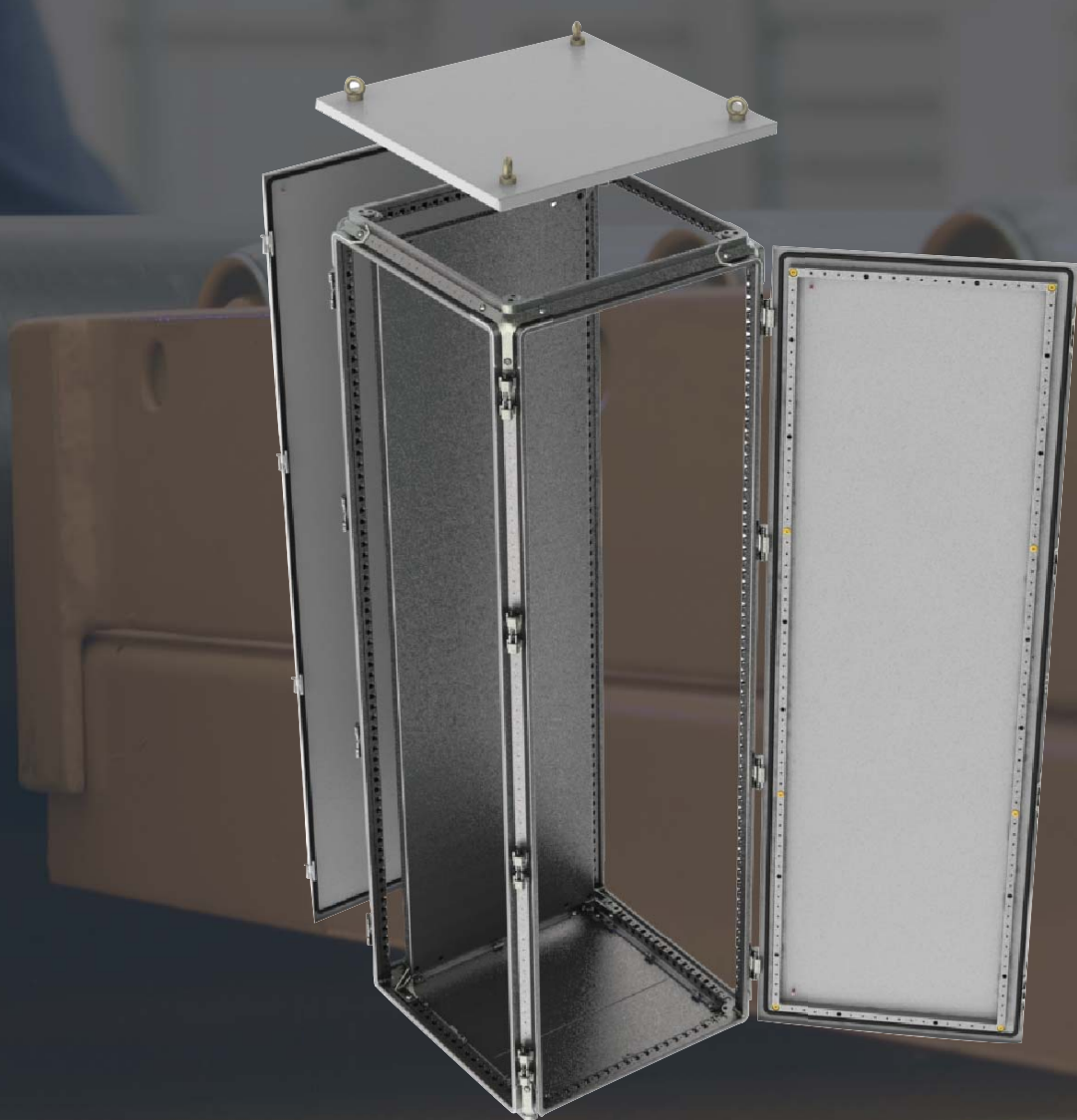


INDUSTRIAL

HAZARDOUS  
AREAS

DATA ICT

RESIDENTIAL  
COMMERCIAL



**B&R Enclosures**  
iLINQ Bayable Enclosure Solutions



# OUR BUSINESS



Since 1955, B&R has built a reputation for excellence in the design and manufacture of enclosures. Everything we have learned in that time, we've poured into our products and relationships.

B&R Enclosures was founded by Dick Bridges in 1955, specialising in sheet metal fabrication, including electrical enclosures for domestic metering applications.

With little capital but great enthusiasm and determination, Dick commenced operations in his backyard in Adelaide, South Australia.

It was this family determination that has sustained B&R's growth with manufacturing plants in Brisbane, Adelaide, Sydney and China, 8 sales locations nationally, international locations in New Zealand, Malaysia, Saudi Arabia and a growing network of distributors.

As a 100% Australian, family-owned business, B&R champions the virtues of quality, service and value. Combined with our unrivalled industry and application knowledge, we are in a unique position to meet the needs of our clients.

B&R Enclosures encompasses four divisions: Industrial, Data ICT, Hazardous Areas and Residential Commercial. Each division focuses on the unique needs of different market segments.

Together, these divisions share the strengths, resources and experience to provide attentive customer service, innovative design and superior quality products.

Some of the largest companies around the world use B&R as a major supplier. These include BHP Billiton, Rio Tinto and the Australian Government to name a few. We have enjoyed repeat business with the world's leading mining companies for over 20 years.

B&R Enclosures can offer extensive supply chain capabilities featuring supply from stock (ex our national warehouse network), supply of assembled to order solutions with short lead times, value adding services and cooperation with other suppliers to allow for integration of third party products into enclosures, racks or cabinets prior to shipment.

B&R is also experienced in arranging specialised freight, product delivery, installation and removal of packaging. We measure our service performance and can provide regular written reports if required. B&R also provides key account management and project management to ensure that we clearly understand and can anticipate the ongoing needs of our customers.

For over 60 years, B&R Enclosures has built a reputation in the design, manufacture and supply of complete enclosure solutions that are trusted by some of the largest companies in the world including Saudi Aramco, Boeing and Alstom.

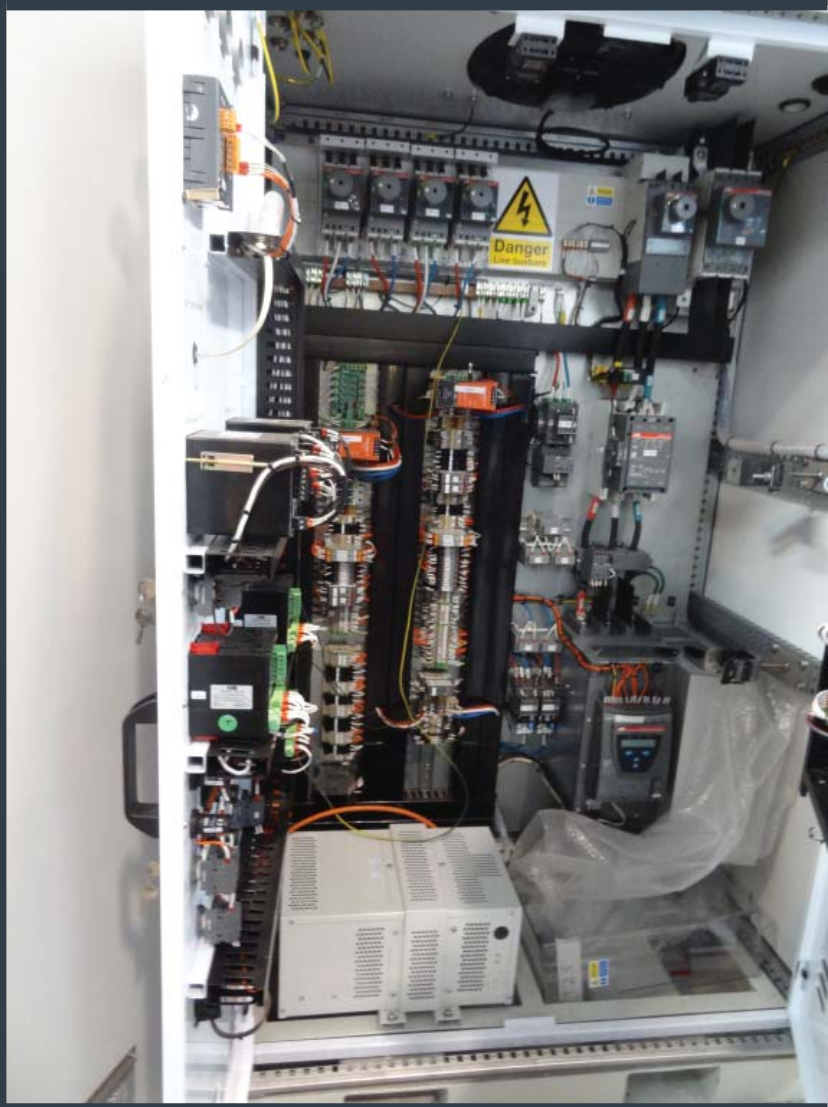
With operations in Australia, New Zealand, China, Southeast Asia and the Middle East, B&R provides product solutions, electrical integration, custom designs and project management services to a global market.

B&R supplies high quality standard product and engineered solutions to a number of industries including:

- Mining
- Industrial
- Data and Telecommunications
- Residential and Commercial
- Defence
- Renewable Energy
- Oil & Gas
- Transport
- Industrial process control
- Infrastructure; and more

B&R's goal is to deliver more value back to our customers.





# iLINQ BAYABLE ENCLOSURES

## COMPETITIVE ADVANTAGE



iLINQ is an Australian designed and manufactured, high quality, modular, bayable enclosure system that is extremely versatile and simple to install.

B&R Enclosures developed the range in response to demand from customers for a user friendly bayable enclosure system that maximised space, enabled flexibility for complex configurations and was built-to-last.

iLINQ is the ideal solution for a range of market applications including:

- Industrial automation
- Industrial control
- Plant construction
- Data and networking infrastructure
- Telecommunications



### Advanced by design.

The iLINQ product offers a superior user experience through its adaptability and symmetrical design. iLINQ has been refined through years of strength, application and user testing.

### Australian by nature.

As an Australian, family-owned and operated company, B&R Enclosures are proud to offer you a system that is designed with customer insight and extensive in-house and field testing.

### Confident by supply.

B&R Enclosures can confidently supply iLINQ in small or large volumes to meet the timeframes specified on your project.



### Efficient design

Based on 25mm increments, the iLINQ frame maximises usable space.

Advantages include:

- Ability to position mounting pans on all axes.
- Ability to intersect matrix rails on the same plane.

### Modular design

The frame rail is fundamental to iLINQ's flexibility, quality and strength. The rail is galvanised, pre-punched, roll-formed, ultrasonically welded and re-galvanised.

iLINQ frame is designed to an IEC grid:

- Profiles have attachment cavities at 12.5 increments.
- Attachment cavities for M5 tapite at 25mm increments.
- M6 and M8 cage nut fixing locations at 25mm increments.

### Symmetrical design

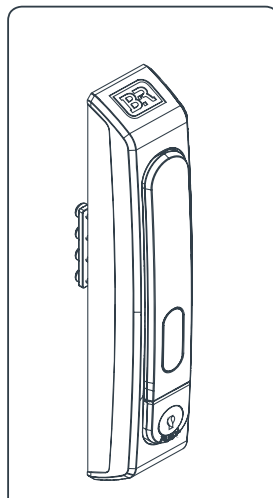
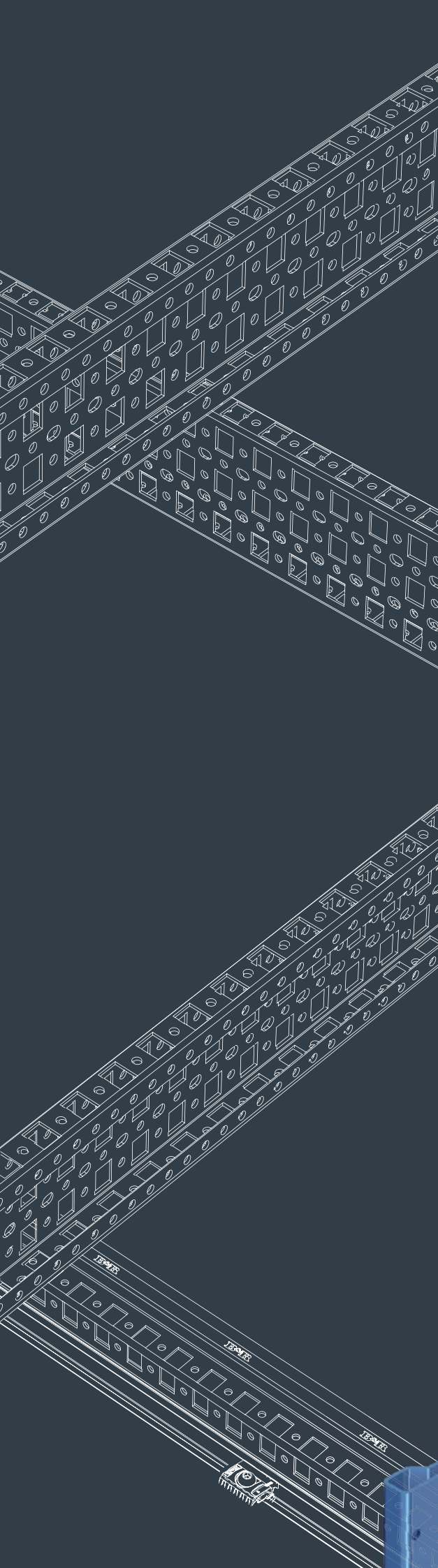
The corner tripod provides the core strength and balanced framework of the iLINQ system. Perfectly symmetrical, the diecast tripod is mechanically fastened to the profile rail to provide unrivalled strength.

### Flexible design

The hinging design of iLINQ allows for a 170° door opening. Due to the symmetrical iLINQ design, any combination of doors, hinged cladding can be fitted to any side.

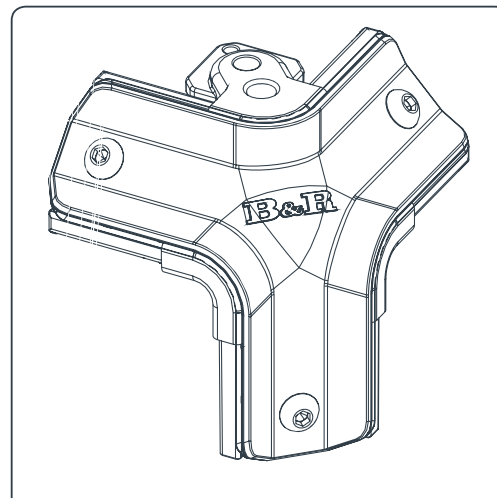
The time taken to rotate doors is:

- Single door/swing handle = 3 minutes
- Double door/swing handle = 5 minutes.



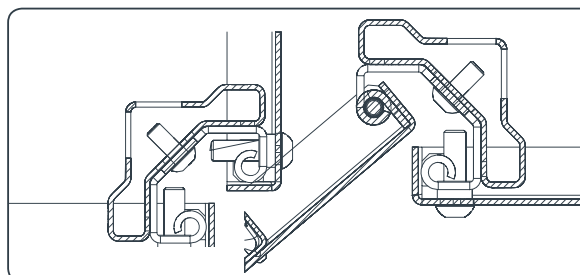
#### More Value

iLINQ doors come standard with B&R's patented swing handle design.



#### Strength

iLINQ is first in its class of bayable enclosure systems to offer a patented diecast tripod design. This corner design offers superior strength as it is mechanically fastened *and* secured.



#### Functionality

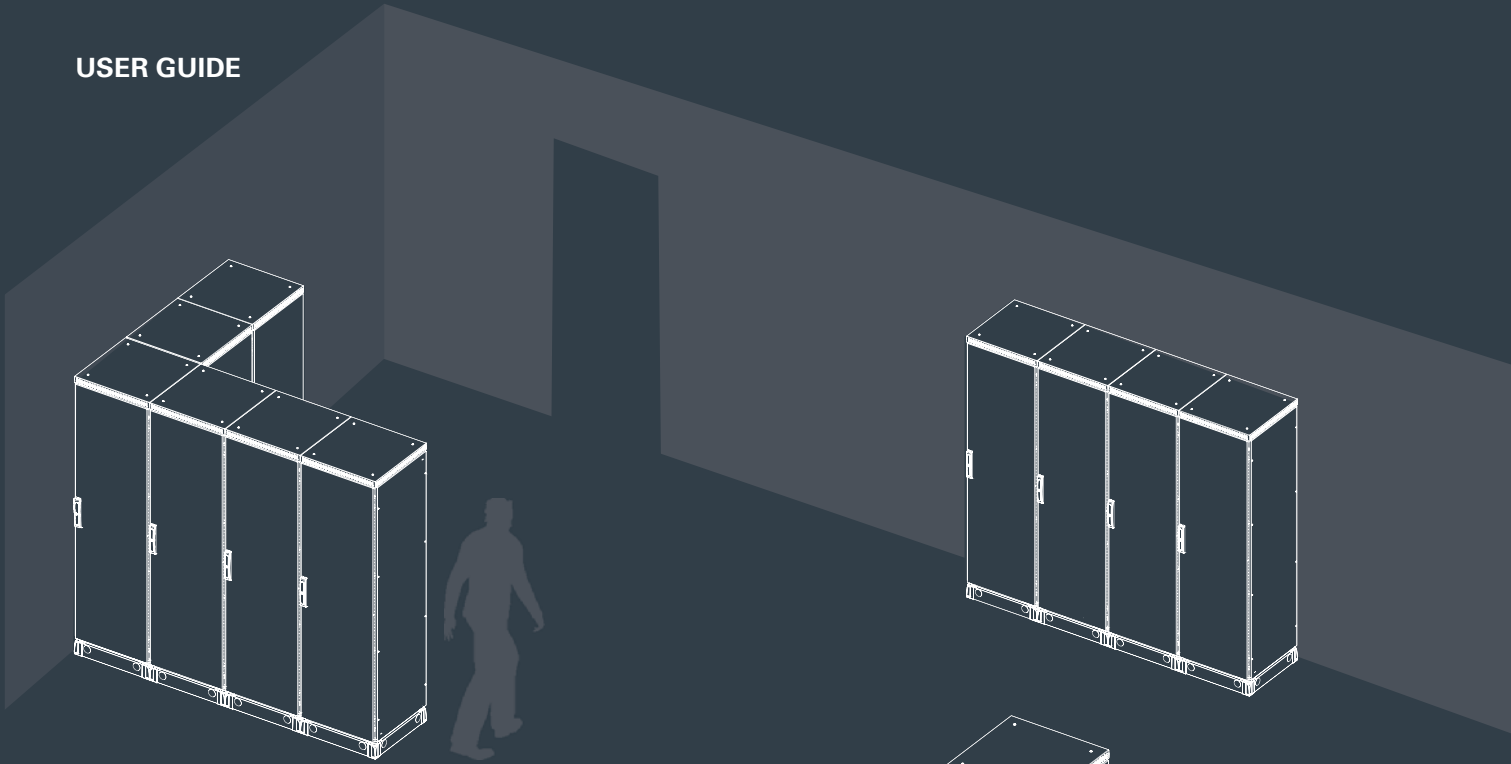
iLINQ doors and hinging are designed to maximise working space and usability. When bayed, the doors still offer a 135° swing.

### Colour Variety

The standard colour of iLINQ is Light Grey RAL7035 ripple, however B&R offer a core range of standard colours which are listed below.

- French Blue B21 (Ripple)
- Ripple Orange X15 (Ripple)
- Aqua Blue (Ripple)
- Light Grey RAL7035 (Ripple)
- Signal Red R13 (Ripple)
- Smoke Blue T33 (Ripple)
- Textured Black (Textured)





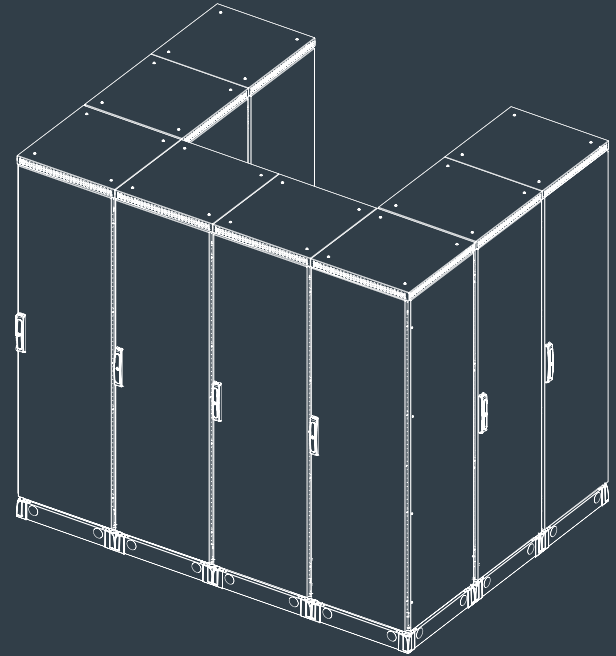
**CONSIDERATIONS AT TIME OF DESIGN**

**Configuration:**

Visualising the layout of a bayable suite can help to understand the number of cladding panels, plinth trims, baying kits and access points for light kits and other accessories.

**Access:**

Once installed, where are the access points? Understanding where the access points are is helpful at the time of assembly and installation to ensure project efficiency in the short and long term.



**LQ-** PART NUMBERING SYSTEM

E	F	D	DD	CF	CP	TF	TV	PB	P	PC	GK	GF	GP	GK/A	MP	SF	SS	SC	RR	RM	RP	RD	HE	VS	PH	LL	LK	BK	MF	LK	DS
Enclosure (Stand-alone)	Frame	Door (Single)	Door (Double Door)	Cladding Panels (Fixed)	Cladding Panels (Hinged)	Top Cover (Flat)	Top Cover (Vented)	Plinth Mounting Base	Plinth Kit	Plinth Cladding	Gland Plate Kit	Gland Frames	Gland Plates	Gland Plates (Adjustable)	Mounting Pan	Swing Frame	Swing Frame Trims (Side)	Swing Frame Trims (Centre)	19" Rack Rails	Matrix Rails	Profile Rails	Door Rails	Hinged Escutcheon	Vertical Segregation Panels	Portrait Plan Holder	Laptop Lectern	Lighting Kit	Baying Kit	Mounting Pan Infill	Lock Assembly	Door Stay

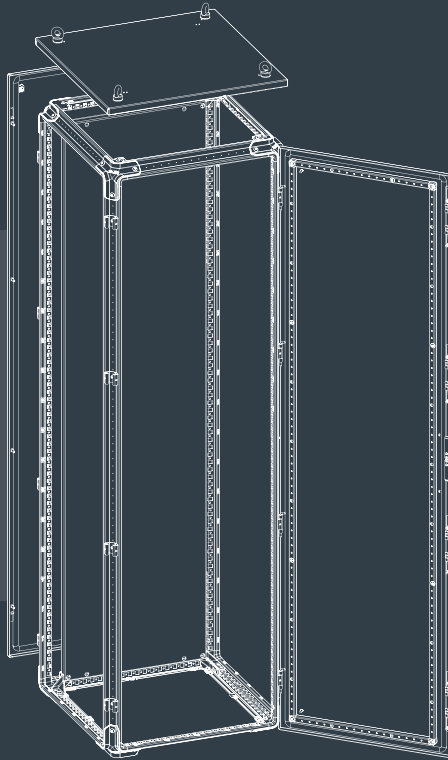
**Part Number Convention:**

B&R part numbers are created using the following convention.





## WHERE TO START

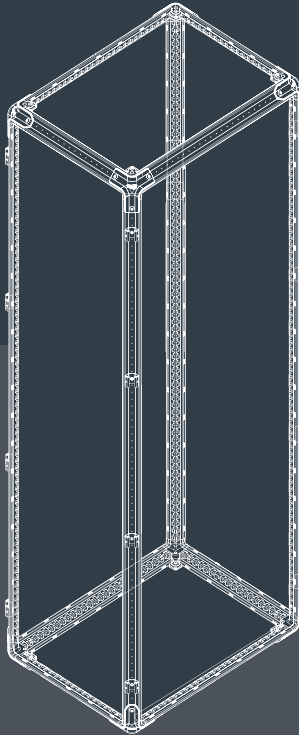


### iLINQ Stand-alone (LQE)

Comes standard with:

- Frame
- Rear fixed panel (screw fixed)
- Flat top with four eye bolts
- Solid door
- Keylockable swing handle (92268)
- Mounting pan – 3mm thick galvanised
- Fixed gland plate – 1.6mm thick galvanised steel

OR



### iLINQ Assembled to Order

- Build from the frame-up
- Order custom cut-outs
- Suitable for large scale suites

# ADVANCED BY DESIGN

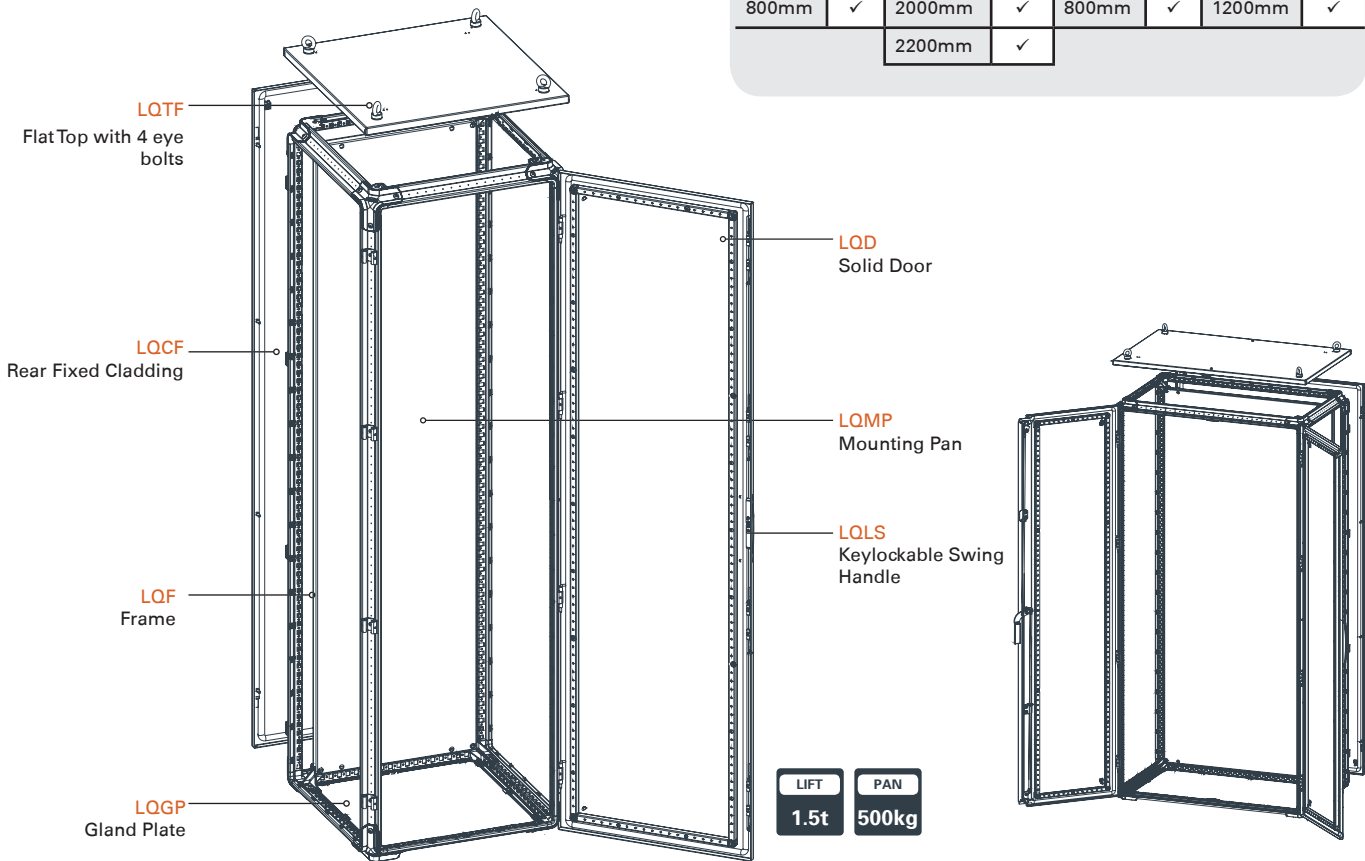
## STAND-ALONE



IEC60529-1989, AS1939-1990, AS2380.1-1989,  
AS2380.6-1988, AS/NZS61241.1.1:1999 AS2236-1994

Important: IP55 compliance requires the purchase of additional side cladding panels.

Depth	Height	Width	
		Single Door	Double Door
400mm	✓ 1400mm	✓ 400mm	✓ 600mm
500mm	✓ 1600mm	✓ 500mm	✓ 800mm
600mm	✓ 1800mm	✓ 600mm	✓ 1000mm
800mm	✓ 2000mm	✓ 800mm	✓ 1200mm
	2200mm	✓	



### Pre-Configured Standard

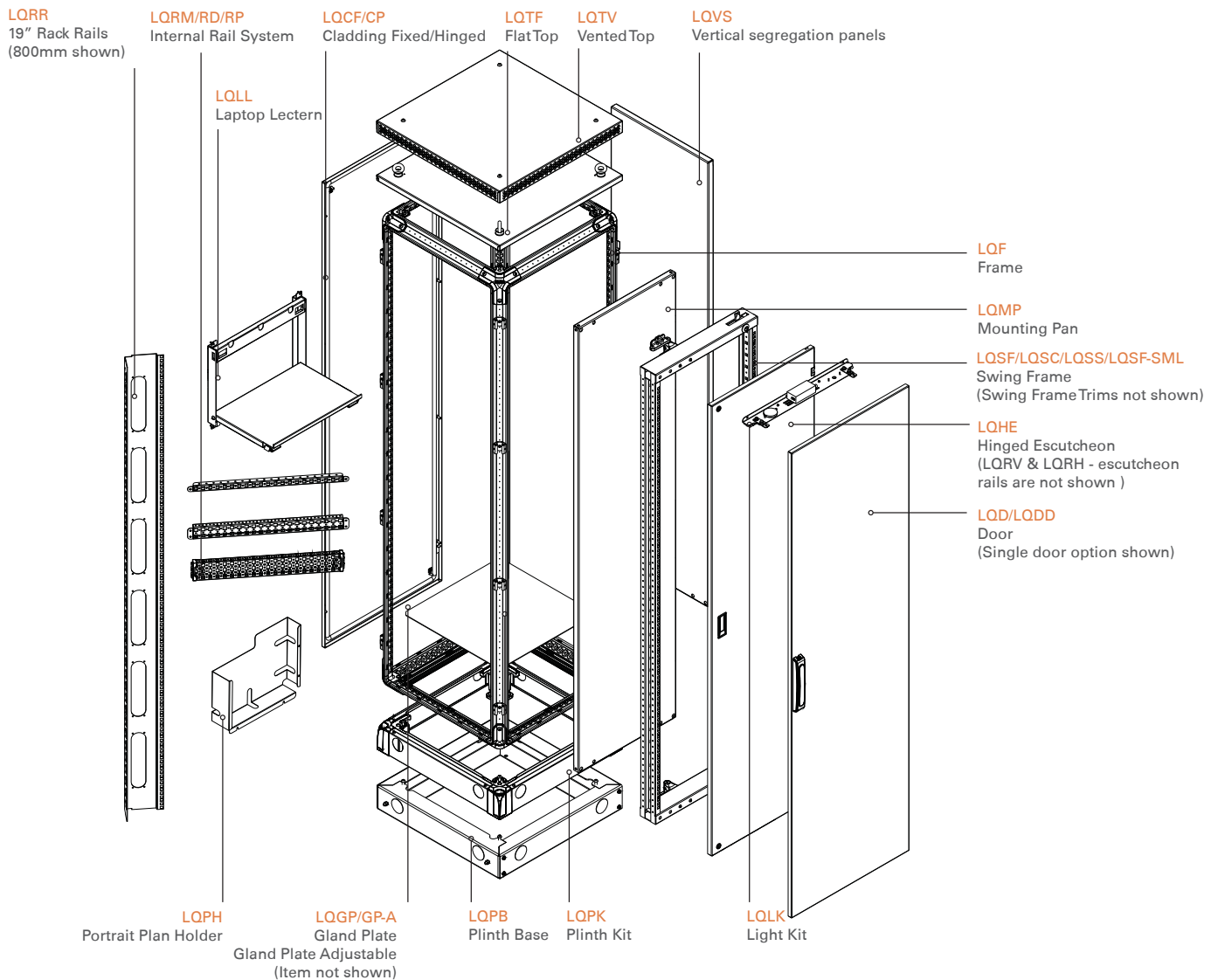
iLINQ Stand-alone enclosures are available in single or double door configurations and can be quickly and easily bayed together. A standard enclosure comes preassembled with frame, door, fixed rear panel, top (with eye bolts), fixed gland plate, mounting pan and a key lockable swing handle. Once bayed together or fitted with side panels, enclosures are rated to IP55, ensuring limited ingress of dust and complete protection from low pressure jets of water. An extensive range of components and accessories are available to ensure your enclosure meets your exact requirements.

### Inclusions

- Frame
- Rear cladding (screw fixed)
- Flat top with four eye bolts
- Solid door
- Keylockable swing handle (92268)
- Mounting pan – 3mm thick galvanised
- Fixed gland plate – 1.6mm thick galvanised steel

# ADVANCED BY DESIGN

## ASSEMBLED TO ORDER



### Custom Assembly

iLINQ is a bayable enclosure system that can be configured to suit a wide variety of applications. It features a unique symmetrical rail profile that allows components to be interchangeable whether on top, bottom, front or back. As part of the design process B&R has worked with a wide variety of industry experts to ensure iLINQ suits industry specifications and applications.

The symmetrical design of the enclosure system allows the same part to fit in many locations. The easy to use catalogue clearly lists all parts and accessories for each enclosure size. All B&R staff have had extensive assembly training and are available to help configure your iLINQ bayable enclosure system.

## AUSTRALIA

### Sales

T: 1300 Enclosures (1300 362 567)

F: 1300 796 599

E: [sales@brenclosures.com.au](mailto:sales@brenclosures.com.au)

[brenclosures.com.au](http://brenclosures.com.au)

### QUEENSLAND

Brisbane Manufacturing, Sales & Warehouse

51 Stradbroke Street

Heathwood QLD 4110

(PO Box 1151)

Browns Plains BC QLD 4118

T: +61 7 3714 1111

E: [salesqld@brenclosures.com.au](mailto:salesqld@brenclosures.com.au)

### NORTH QUEENSLAND

Townsville Sales & Warehouse

Unit 4 / 780 Ingham Road

Mount Louisa QLD 4814

(PO Box 7615)

Garbutt QLD 4814

T: +61 7 4727 1900

E: [salestvl@brenclosures.com.au](mailto:salestvl@brenclosures.com.au)

### NEW SOUTH WALES

NSW & ACT Sales & Warehouse

Unit 12/100 Belmore Road North

(PO Box 192)

Riverwood NSW 2210

T: +61 2 9915 9555

E: [salesnsw@brenclosures.com.au](mailto:salesnsw@brenclosures.com.au)

### NEWCASTLE Distribution

109-111 Broadmeadow Road

Broadmeadow NSW 2292

T: +61 2 4961 4433

F: +61 2 4961 2498

### VICTORIA

VIC & TAS Sales & Warehouse

50-52 Sunmore Close

Heatherton VIC 3202

T: +61 3 9552 0552

E: [salesvic@brenclosures.com.au](mailto:salesvic@brenclosures.com.au)

### TASMANIA Distribution

W P Martin Pty Ltd

85 Elizabeth Street

Launceston TAS 7250

T: +61 3 6331 5545

F: +61 3 6331 4256

## SOUTH AUSTRALIA

SA & NT Manufacturing, Sales & Warehouse

505 Grand Junction Road

Wingfield SA 5013

T: +61 8 8417 6222

E: [salessa@brenclosures.com.au](mailto:salessa@brenclosures.com.au)

### NORTHERN TERRITORY Distribution

Cnr Hidden Valley & Beaton Roads

Berrimah NT 0828

T: +61 8 8947 0870

F: +61 8 8947 0764

### WESTERN AUSTRALIA

WA Sales Office & Warehouse

6 Montgomery Way

Malaga WA 6090

T: +61 8 6310 4777

E: [saleswa@brenclosures.com.au](mailto:saleswa@brenclosures.com.au)

## NEW ZEALAND

### Sales

B&R Enclosures Limited

T: 0800 Enclosures (0800 362 567)

E: [sales@brenclosures.co.nz](mailto:sales@brenclosures.co.nz)

[brenclosures.co.nz](http://brenclosures.co.nz)

### AUCKLAND Distribution

Unit 6/103 Cryers Road

East Tamaki Auckland NZ 2013

T: +64 9 265 2097

F: +64 9 265 2437

E: [sales@brenclosures.co.nz](mailto:sales@brenclosures.co.nz)

### CHRISTCHURCH Distribution

17 Washbournes Road

Wigram Christchurch NZ 8042

T: +64 3 348 0659

F: +64 3 348 4043

E: [sales@brenclosures.co.nz](mailto:sales@brenclosures.co.nz)

## CHINA

### Sales

B&R Enclosures (Suzhou) Co. Ltd

E: [sales@brenclosures.com.cn](mailto:sales@brenclosures.com.cn)

[brenclosures.com.cn](http://brenclosures.com.cn)

### SUZHOU

Suzhou Sales Office & Manufacturing

Building 45 Chuangtuo Industrial Zone

SIP, Suzhou 215122

PEOPLE'S REPUBLIC OF CHINA

T: +86 512 8718 2139

F: +86 512 8718 2140

E: [sales@brenclosures.com.cn](mailto:sales@brenclosures.com.cn)

## SOUTH EAST ASIA

### Sales

B&R Enclosures SDN BHD

E: [sales@brenclosures.com.au](mailto:sales@brenclosures.com.au)

[brenclosures.com.au](http://brenclosures.com.au)

### MALAYSIA

Malaysia Sales Office & Manufacturing

No.38-1, Puchong Gateway Square,

Jalan Suria Puchong 4,

Pusat Perniagaan Suria Puchong

47110, Puchong, Selangor, Malaysia

T: +603 8958 3923 or +603 8959 3923

F: +603 8958 3223

E: [sales@brenclosures.com.au](mailto:sales@brenclosures.com.au)

## MIDDLE EAST

### Sales

B&R Gulf

E: [sales@brgulf.com.sa](mailto:sales@brgulf.com.sa)

[brenclosures.com.sa](http://brenclosures.com.sa)

### DAMMMAM

Dammam Sales Office & Manufacturing

Factory No. 119, Modon Buildings

King Salman Road, Industrial Area 3

Dammam, Kingdom of Saudi Arabia

T +96 638 128 691 or +96 650 349 6592

E: [sales@brgulf.com.sa](mailto:sales@brgulf.com.sa)