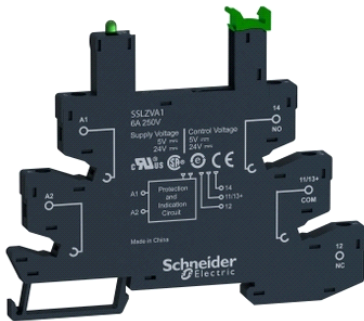


# SSLZRA1

socket SSL - 6 A - 5/24 V DC- spring clamp - for relay SSL



## Main

Range of product	Zelio Relay
Product or component type	Socket
Device short name	SSLZ
Sale per indivisible quantity	10

## Complementary

Contact terminal arrangement	Separate
Product compatibility	Solid state relay SSL with NO contact at 24 V DC Solid state relay SSL with NO contact at 5 V DC
Shape of pin	Flat
[I <sub>th</sub> ] conventional free air thermal current	6 A
[I <sub>th</sub> ] conventional free air thermal current	6 A
[U <sub>e</sub> ] rated operational voltage	< 250 V DC
Connections - terminals	Spring terminals 1 x 0.2...1 x 1.5 mm <sup>2</sup> - AWG 24...AWG 16 , solid cable without cable end Spring terminals 1 x 0.2...1 x 1.5 mm <sup>2</sup> - AWG 24...AWG 16 , flexible cable with cable end
Clamping force	10...40 N
Fixing mode	By clip-on 35 mm DIN rail
Switching voltage	5 V DC 24 V DC
Local signalling	LED green for input status
Width	6.2 mm
Height	101 mm
Depth	78.6 mm
Product weight	0.0285 kg

## Environment

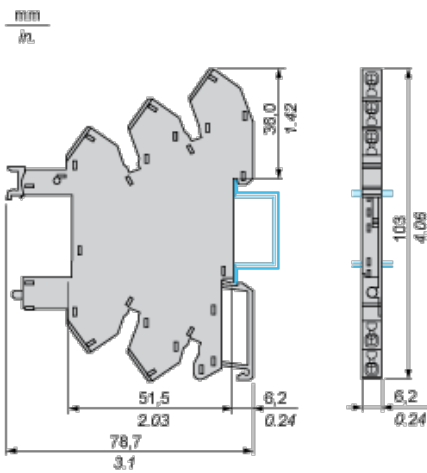
flame retardance	V0 conforming to UL 94
standards	IEC 61984
product certifications	CSA C22-2 No 14 RoHS UL 508 REACH
marking	CE
ambient air temperature for storage	-40...85 °C
ambient air temperature for operation	-40...70 °C
IP degree of protection	IP20
dielectric strength	2500 V

## Offer Sustainability

Sustainable offer status	Green Premium product
--------------------------	-----------------------

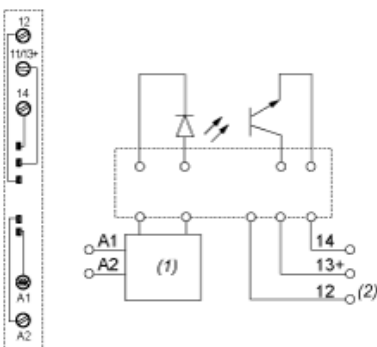
The information provided in this documentation contains general descriptions and/or technical characteristics of the performance of the products contained herein. This documentation is not intended as a substitute for and is not to be used for determining suitability or reliability of these products for specific user applications. It is the duty of any such user or integrator to perform the appropriate and complete risk analysis, evaluation and testing of the products with respect to the relevant specific application or use thereof. Neither Schneider Electric Industries SAS nor any of its affiliates or subsidiaries shall be responsible or liable for misuse of the information contained herein.

## Dimensions



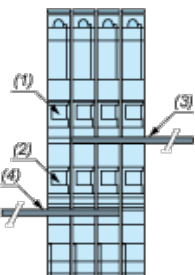
## Wiring Diagram

### Wiring Diagram for DC Output



- (1) Protection circuit
- (2) Terminal 12 is not in use for SSL Relay

### Example of RSLZ2 Bus Jumper Mounting on Sockets



- (1) A1
- (2) A2
- (3) Bus jumper polarity A1
- (4) Bus jumper polarity A2