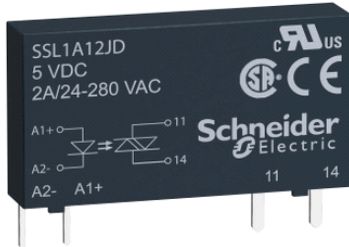


SSL1A12JDR

solid state relay, Plug-in, input 3-12 V DC, output 24-280 V AC, 2A



Main

Range of product	Zelio Relay
Product or component type	Solid state relay
Device short name	SSL
Network number of phases	1 phase

Complementary

Mounting support	Socket
[In] rated current	2 A
Output voltage	24...280 V AC
[Uc] control circuit voltage	3...12 V DC
Contacts type and composition	1 NO
Capacitance unbalance	1.5 pF input/output
Minimum switching voltage	3 V DC turn-on
Maximum switching voltage	1 V DC turn-off
Input current limits	15 mA
Input impedance	333 kOhm
Solid state output type	SCR output Random voltage switching
Load current	0.07...2 A
Absolute maximum voltage	600 V
Surge current	120 A for 16.6 ms 115 A for 20 ms
Voltage drop	<= 1.1 V on-state
Maximum I²t for fusing	260 A².s for 8.3 ms at 60 Hz half cycle 285 A².s for 10 ms at 50 Hz half cycle
Leakage current	<= 4 mA off-state
DV/dt	500 V/μs off-state at maximum voltage
Response time	0.5 cycle turn-off 0.1 ms turn-on
Overvoltage category	III
Width	5 mm
Height	28 mm
Depth	15 mm
Product weight	0.0041 kg

Environment

flame retardance	V0 conforming to UL 94
dielectric strength	2500 V for input/output
pollution degree	2
product certifications	CSA UL REACH

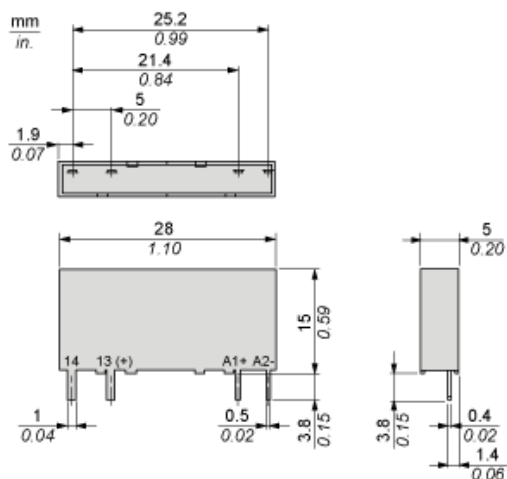
The information provided in this documentation contains general descriptions and/or technical characteristics of the performance of the products contained herein. This documentation is not intended as a substitute for and is not to be used for determining suitability or reliability of these products for specific user applications. It is the duty of any such user or integrator to perform the appropriate and complete risk analysis, evaluation and testing of the products with respect to the relevant specific application or use thereof. Neither Schneider Electric Industries SAS nor any of its affiliates or subsidiaries shall be responsible or liable for misuse of the information contained herein.

marking	CE
ambient air temperature for operation	-20...80 °C
ambient air temperature for storage	-20...85 °C

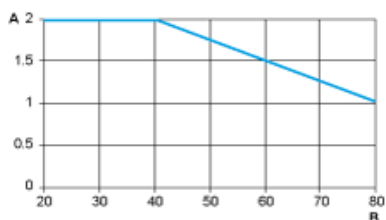
Offer Sustainability

Sustainable offer status	Green Premium product
RoHS (date code: YYWW)	Compliant - since 1417 - Schneider Electric declaration of conformity
REACH	Reference not containing SVHC above the threshold
Product environmental profile	Available
Product end of life instructions	Need no specific recycling operations

Dimensions



Derating Curves



A : Load Current (Amperes)

B : Ambient Temperature (°C)