

en



This service guide must be kept for future use.

PLEASE NOTE

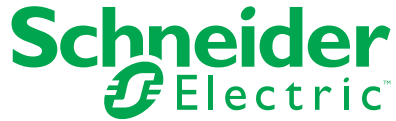
This product must be installed, connected and used in compliance with prevailing standards and/or installation regulations.

⚠ ⚠ DANGER

HAZARD OF ELECTRIC SHOCK, EXPLOSION OR ARC FLASH

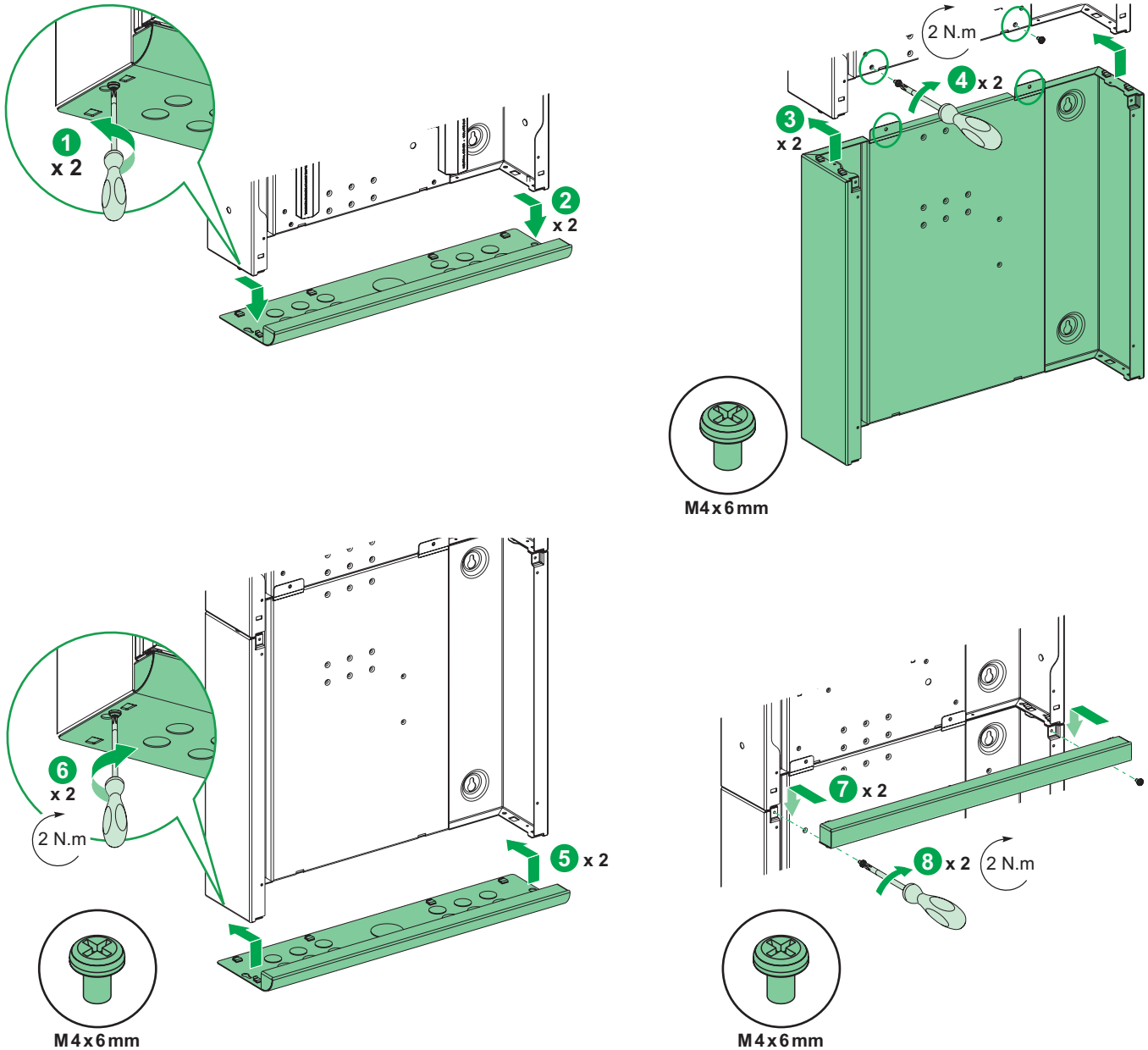
Disconnect all power supply before installing and uninstalling.

Failure to follow these instructions will result in death or serious injury.



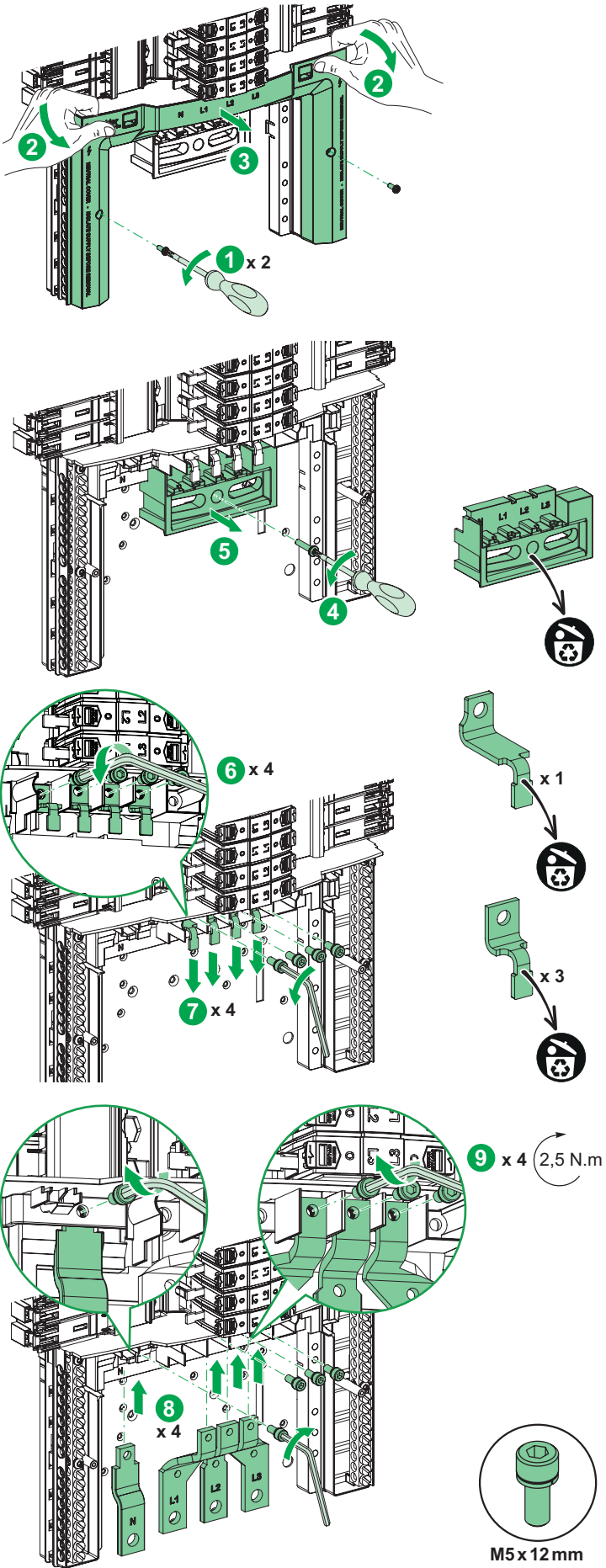
1 Installing

1.1 Install Extension Box onto ISOBAR P Type B and ISOBAR Type B

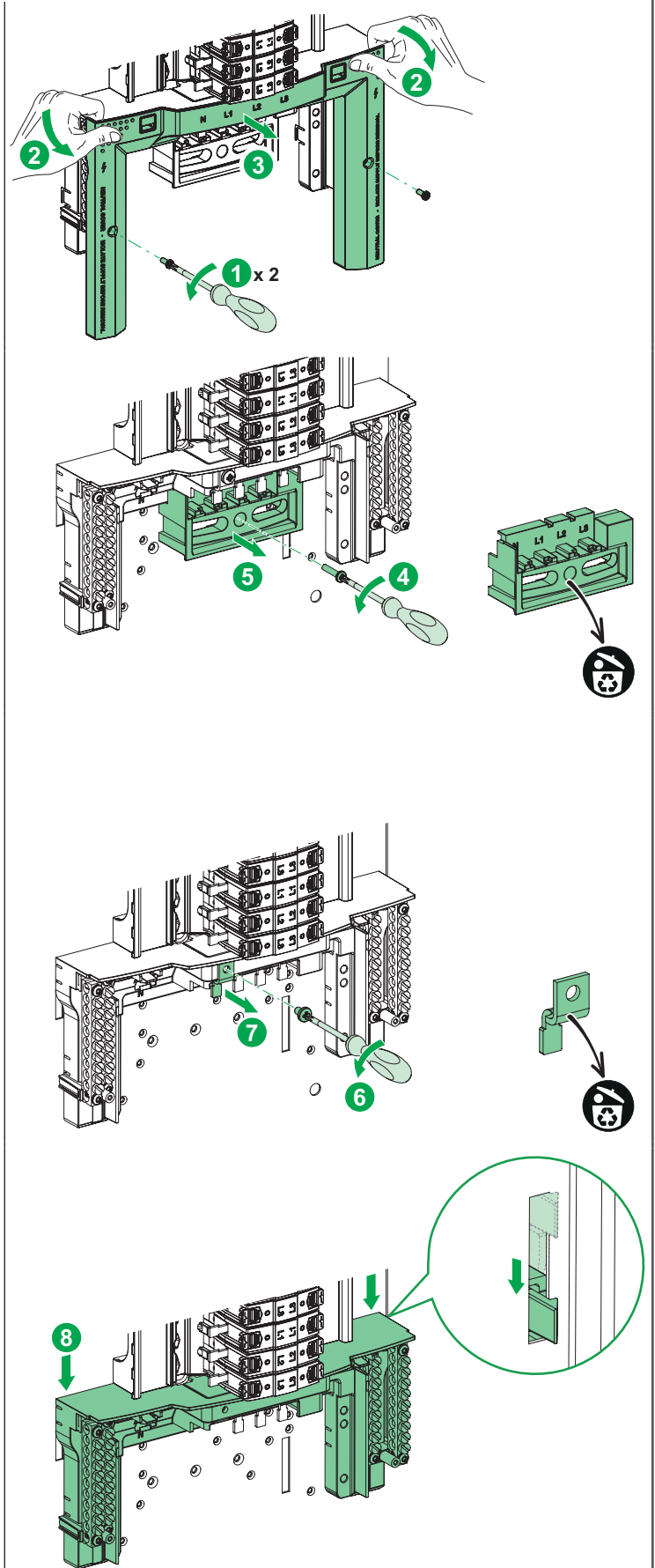


1 Installing

1.2 Install 250 A Direct Incoming Kit into ISOBAR P Type B

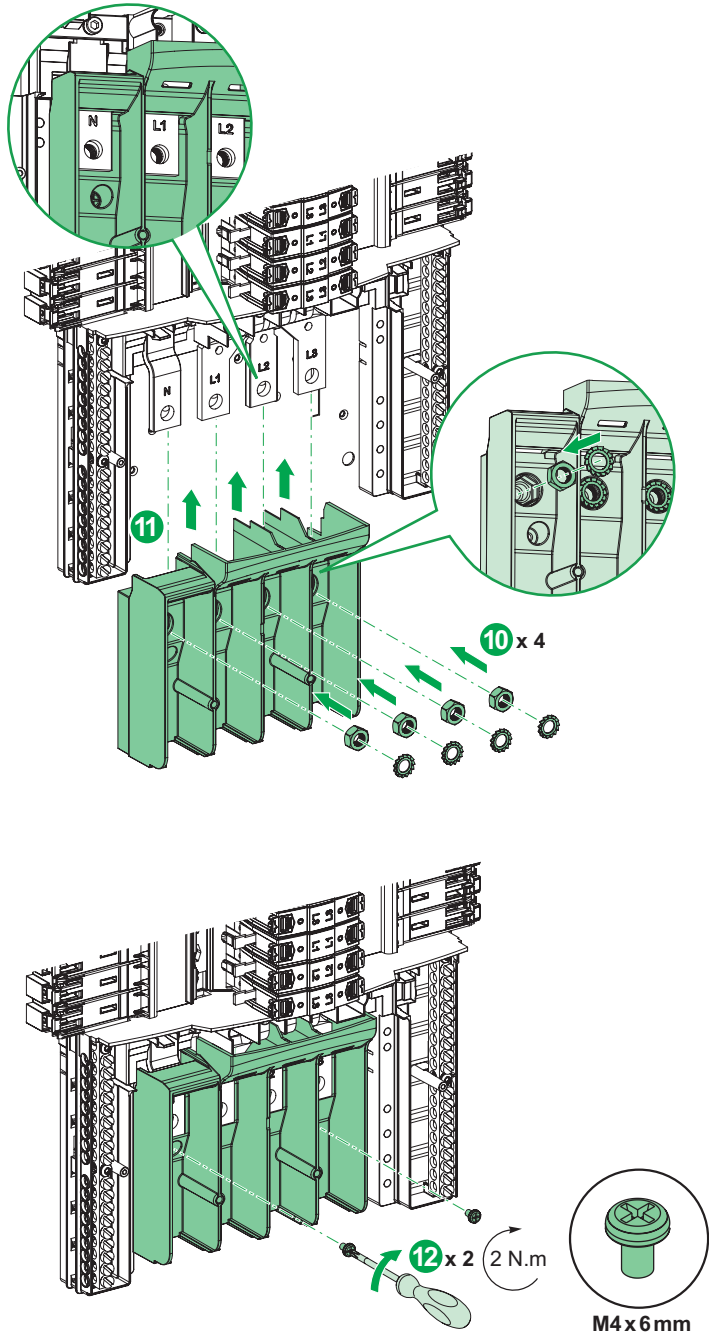


1.2 Install 250 A Direct Incoming Kit into ISOBAR Type B

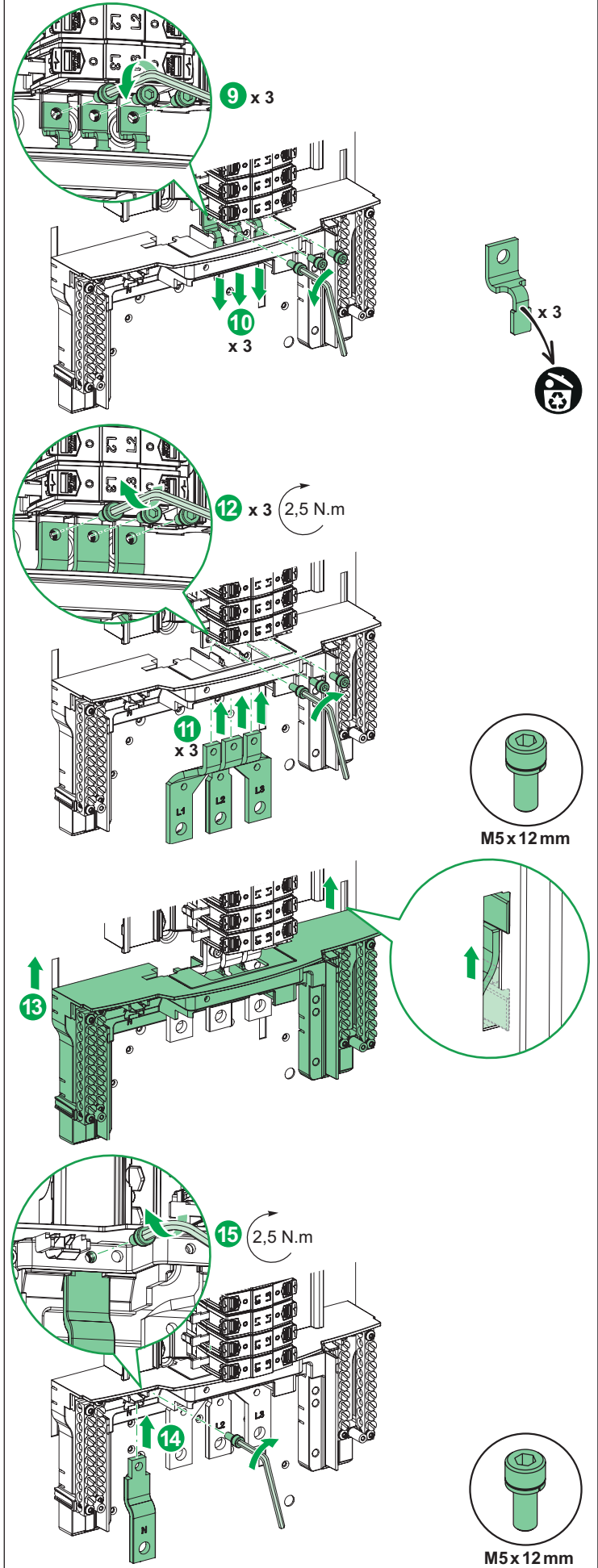


1 Installing

1.2 Install 250 A Direct Incoming Kit into ISOBAR P Type B

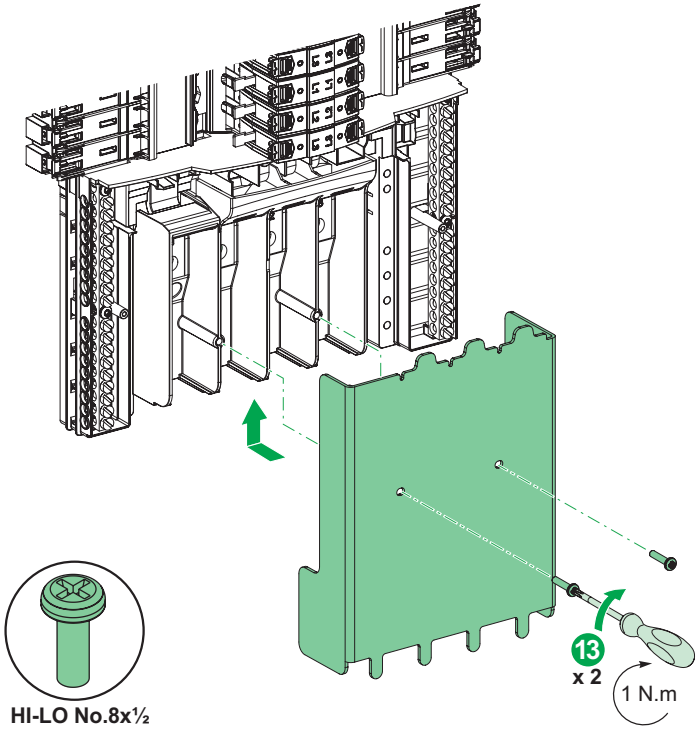


1.2 Install 250 A Direct Incoming Kit into ISOBAR Type B

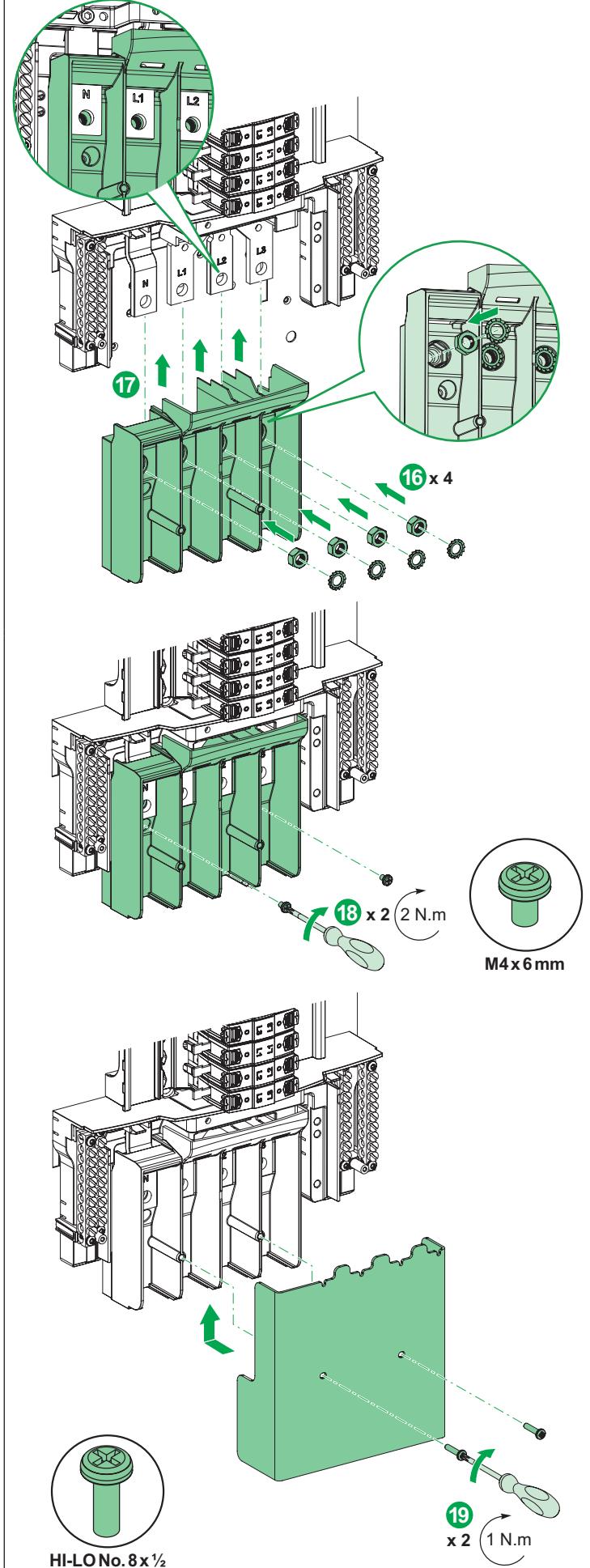


1 Installing

1.2 Install 250 A Direct Incoming Kit into ISOBAR P Type B



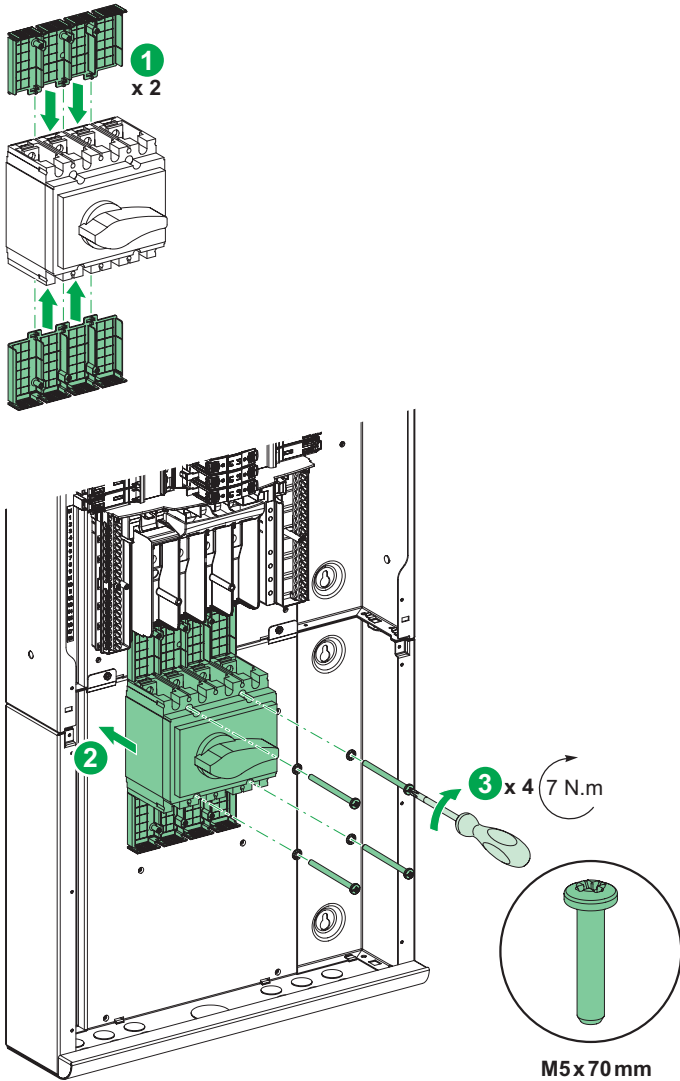
1.2 Install 250 A Direct Incoming Kit into ISOBAR Type B



1 Installing

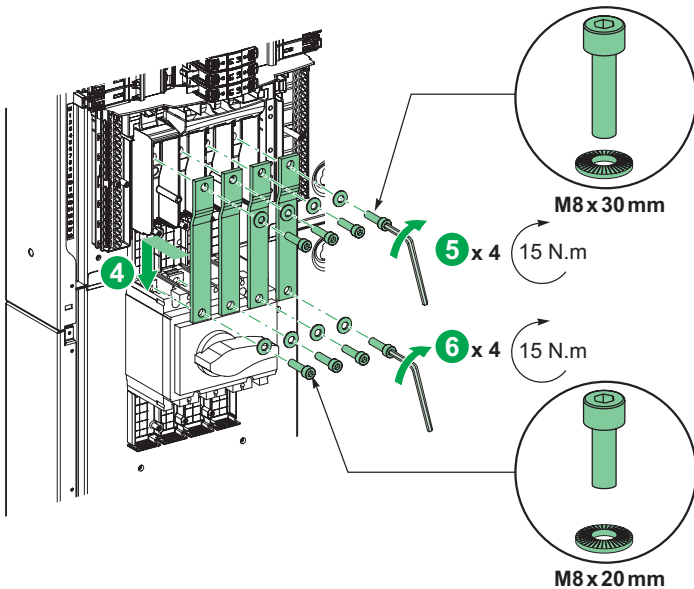
1.3 Install MCCB or Incoming Switch into ISOBAR P

NOTE:
Repeat steps 1 to 12 presented in chapter 1.2: "Install 250 A Direct Incoming Kit into ISOBAR P Type B".



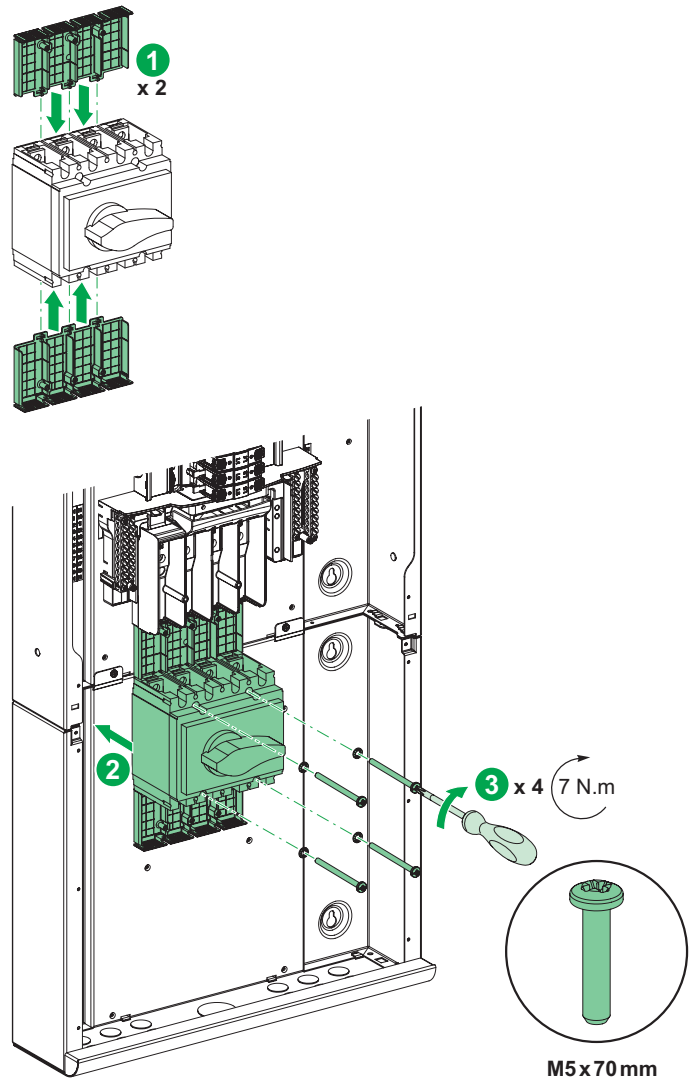
NOTICE

HAZARD OF EQUIPMENT DAMAGE
Respect screw specification regarding location.
Failure to follow these instructions can result in equipment damage.



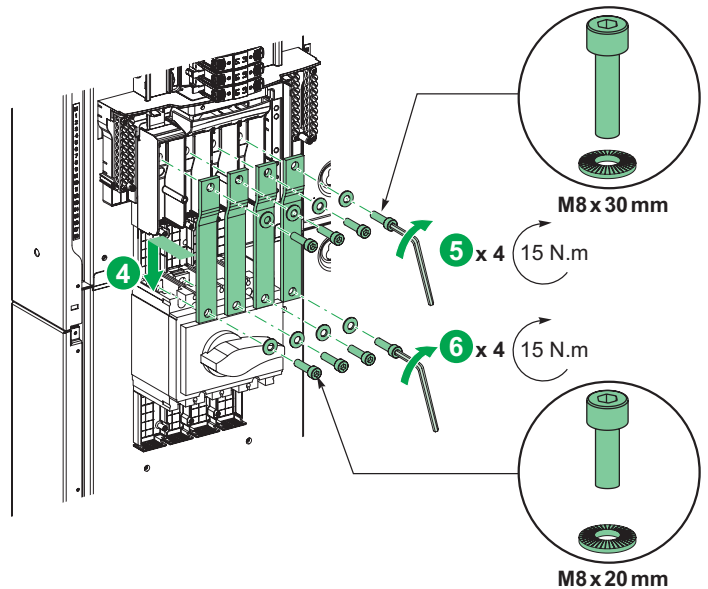
1.3 Install MCCB or Incoming Switch into ISOBAR

NOTE:
Repeat steps 1 to 18 presented in chapter 1.2: "Install 250 A Direct Incoming Kit into ISOBAR Type B".



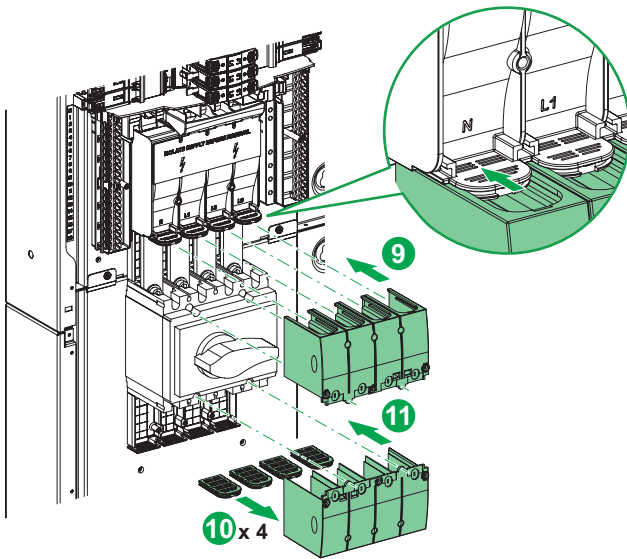
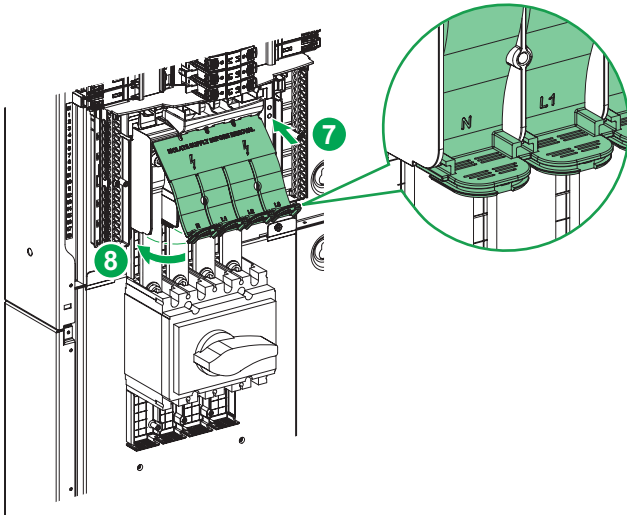
NOTICE

HAZARD OF EQUIPMENT DAMAGE
Respect screw specification regarding location.
Failure to follow these instructions can result in equipment damage.

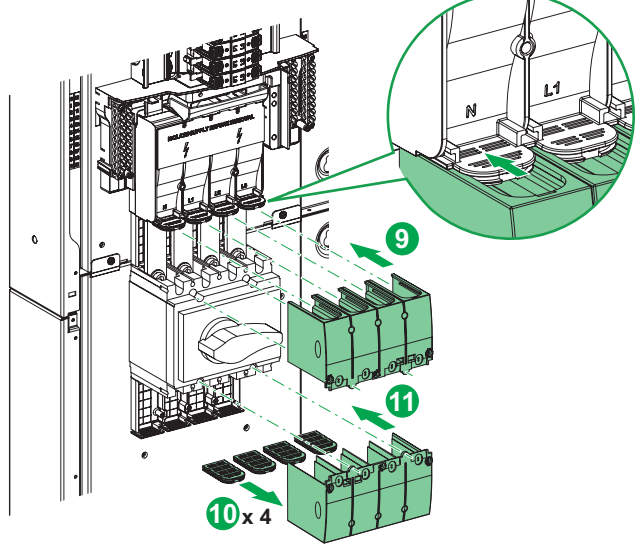
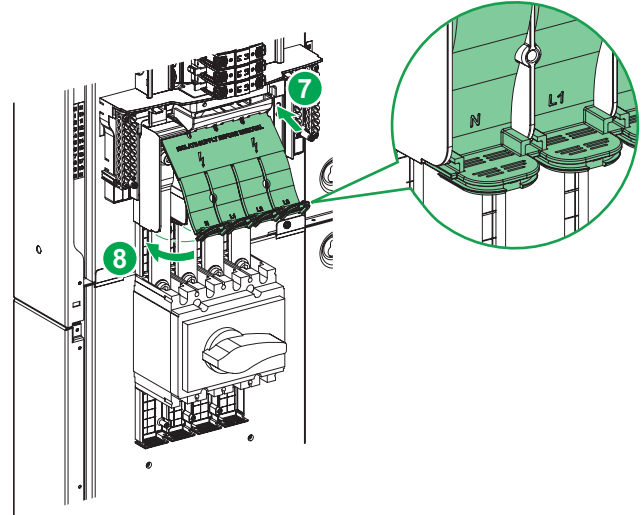


1 Installing

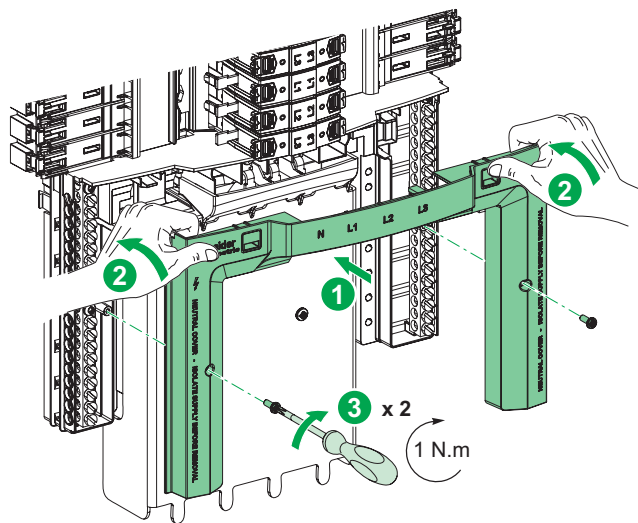
1.3 Install MCCB or Incoming Switch into ISOBAR P



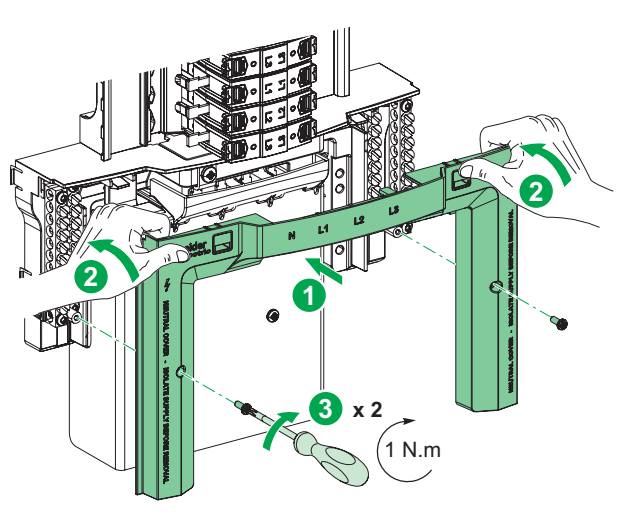
1.3 Install MCCB or Incoming Switch into ISOBAR



1.4 Install Neutral Shroud after installing 250 A Direct Incoming Kit into ISOBAR P

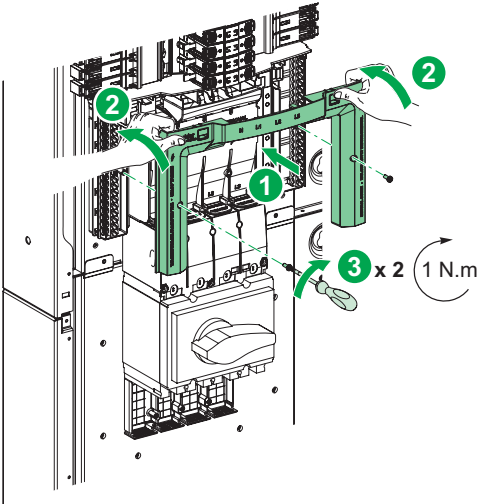


1.4 Install Neutral Shroud after installing 250 A Direct Incoming Kit into ISOBAR



1 Installing

1.5 Install Neutral Shroud after installing MCCB or Incoming Switch into ISOBAR P



1.5 Install Neutral Shroud after installing MCCB or Incoming Switch into ISOBAR

