

en



This service guide must be kept for future use.

**PLEASE NOTE**

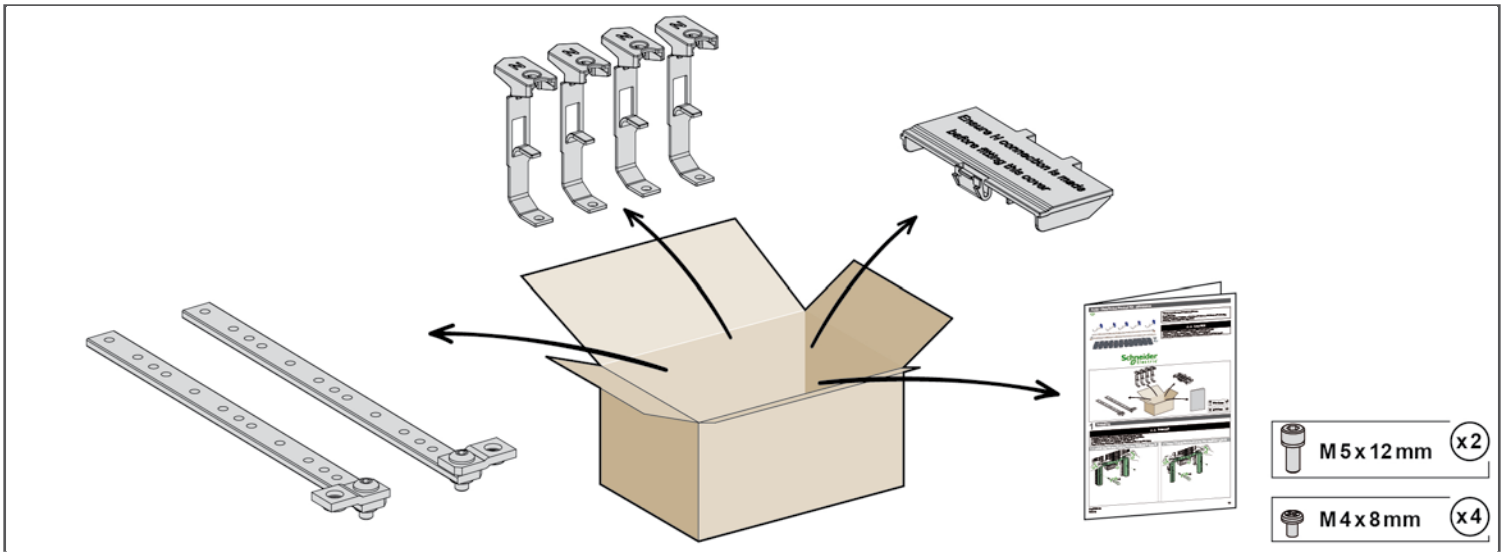
- The installation, use, repair and maintenance of this electrical equipment must only be performed by a qualified electrician.
- All pertinent local, regional and state regulations must be observed during the installation and the use of this equipment.
- This equipment must not be installed if found to be damaged when unpacking.
- Schneider Electric cannot be held responsible for failure to follow the instructions contained in this document and the documents it refers to.
- These instructions must be followed throughout the lifetime of the product.

**⚠ ⚠ DANGER**

**HAZARD OF ELECTRIC SHOCK, EXPLOSION OR ARC FLASH**

Disconnect all power supply before installing and uninstalling.

Failure to follow these instructions will result in death or serious injury.



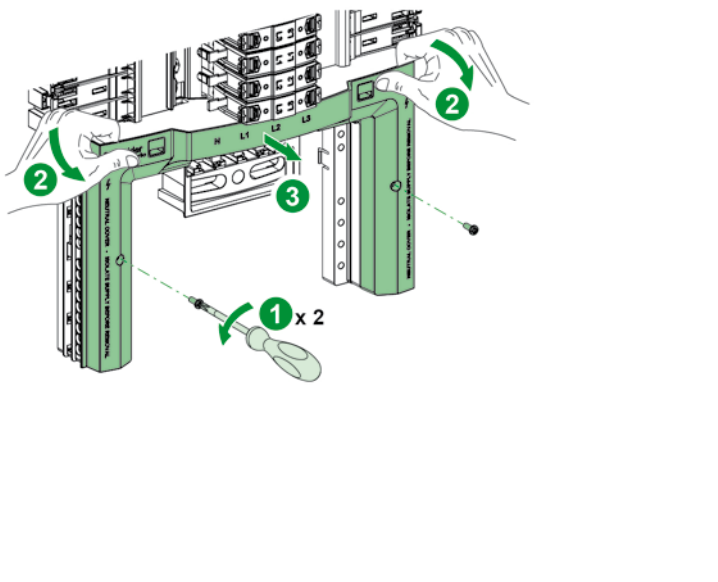
**1 Installing**

**⚠ ⚠ DANGER**

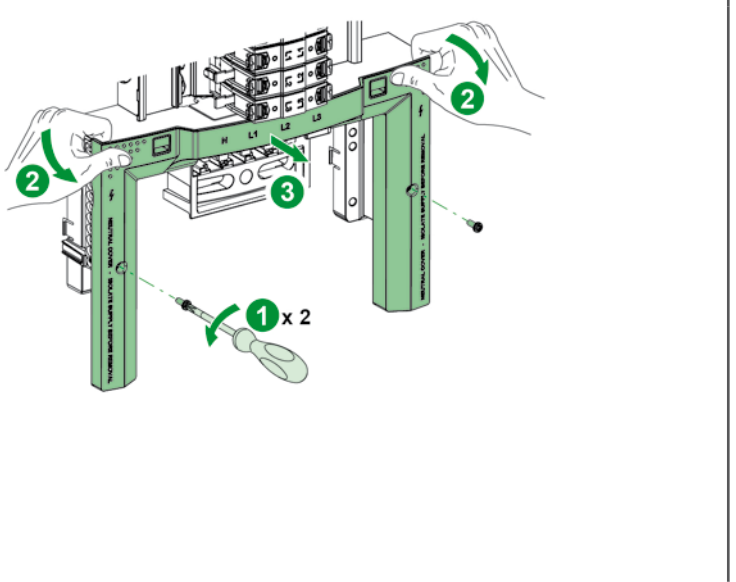
**HAZARD OF ELECTRIC SHOCK, EXPLOSION OR ARC FLASH**

- Install this product in accordance with National Wiring Regulation.
  - iC60H RCBO PoN is only compatible with ISOBAR P.
- Failure to follow these instructions will result in death or serious injury.

**1.1 Install Distributed Neutral Kit into ISOBAR P Type B**

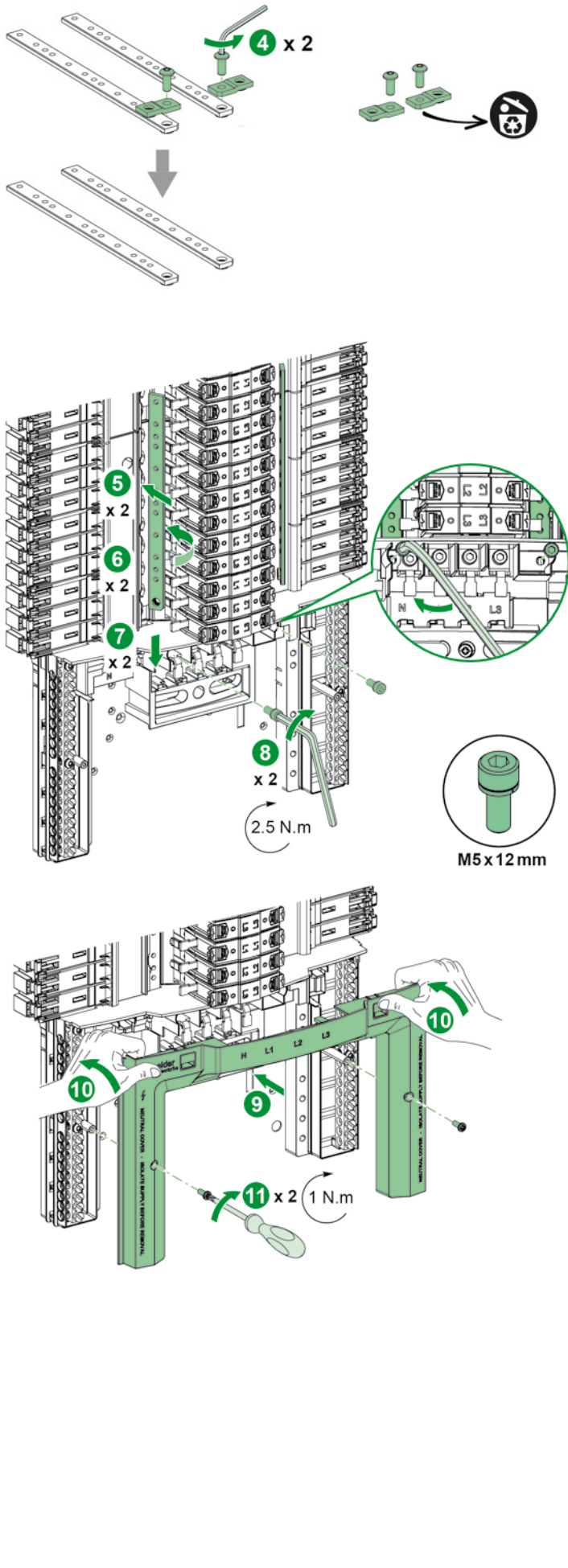


**1.1 Install Distributed Neutral Kit into ISOBAR Type B**

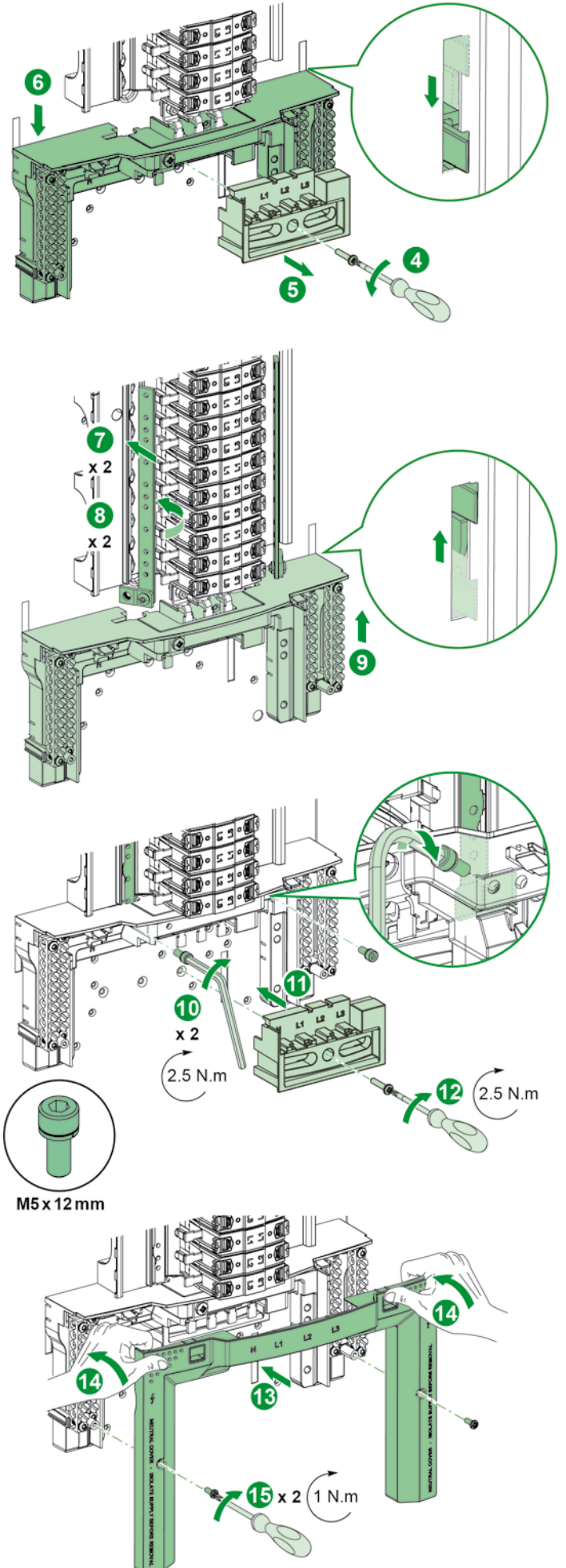


# 1 Installing

## 1.1 Install Distributed Neutral Kit into ISOBAR P Type B



## 1.1 Install Distributed Neutral Kit into ISOBAR Type B

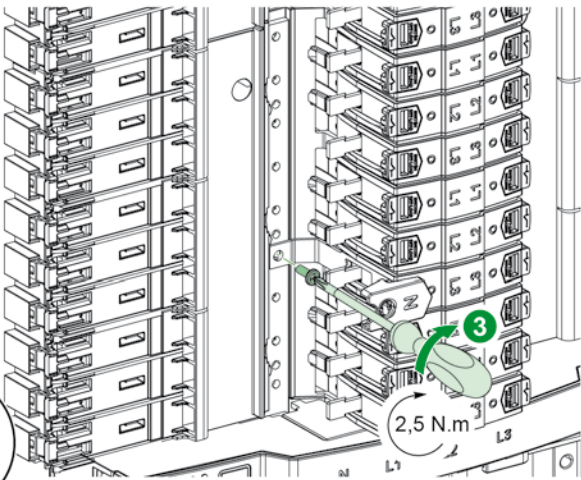
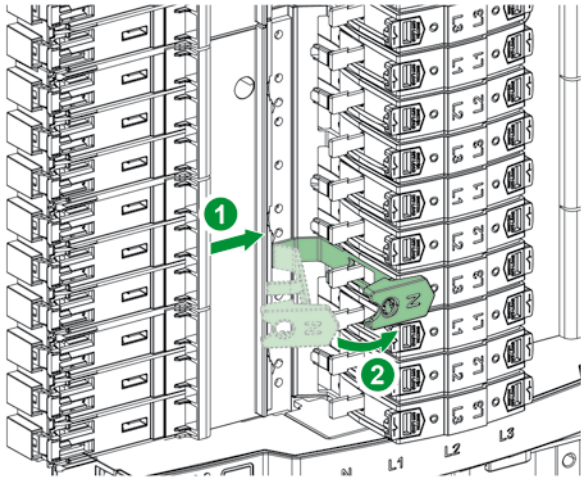


Released for Manufacturing  
Printed on 2022/04/14

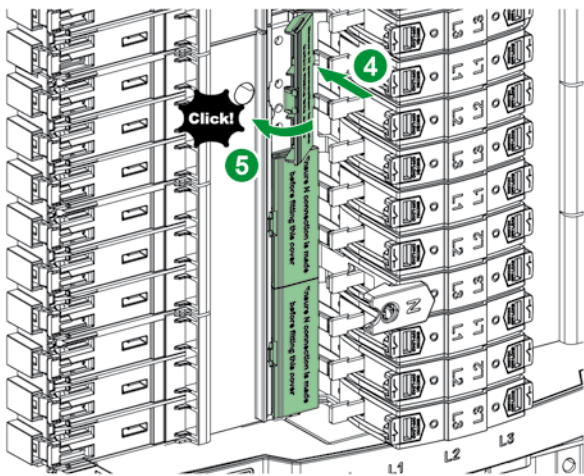


# 1 Installing

## 1.2 Install Neutral Outgoing Link into ISOBAR P Type B

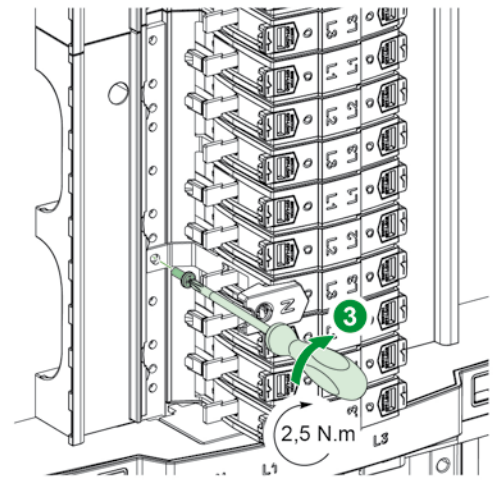
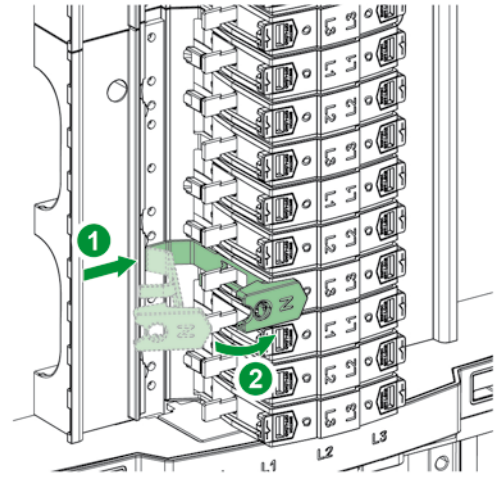


M4x8 mm

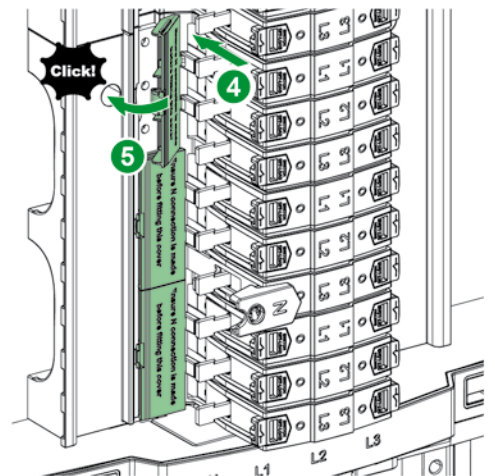


**i** Cover assembly order :  
 Left hand side : Bottom to Top  
 Right hand side : Top to bottom

## 1.2 Install Neutral Outgoing Link into ISOBAR Type B



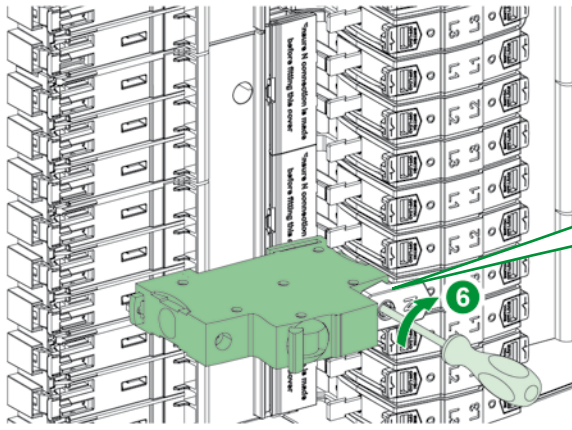
M4x8 mm



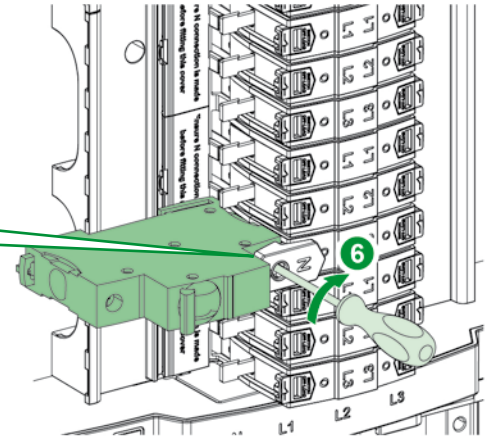
**i** Cover assembly order :  
 Left hand side : Bottom to Top  
 Right hand side : Top to bottom

# 1 Installing

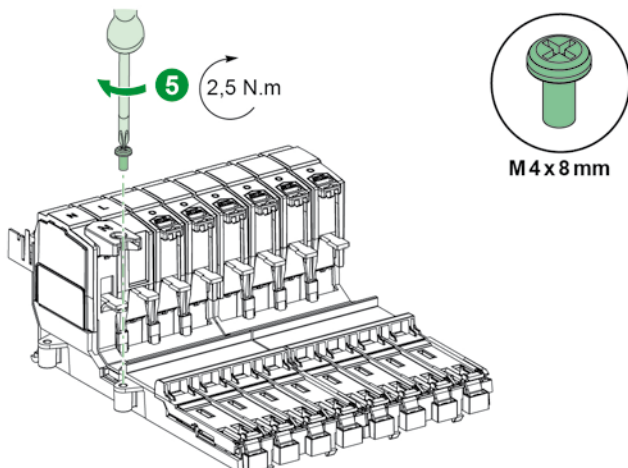
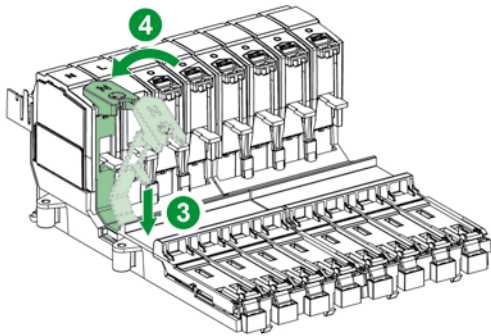
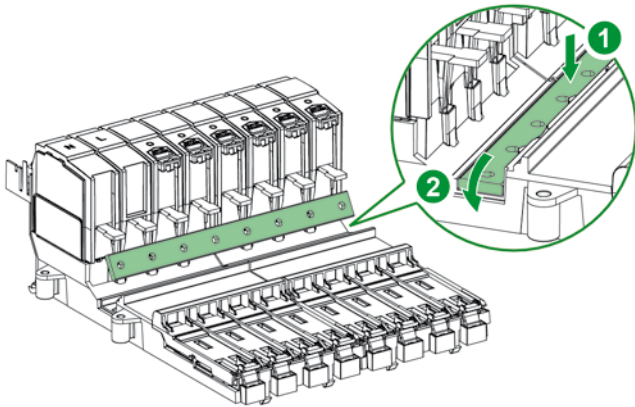
## 1.2 Install Neutral Outgoing Link into ISOBAR P Type B



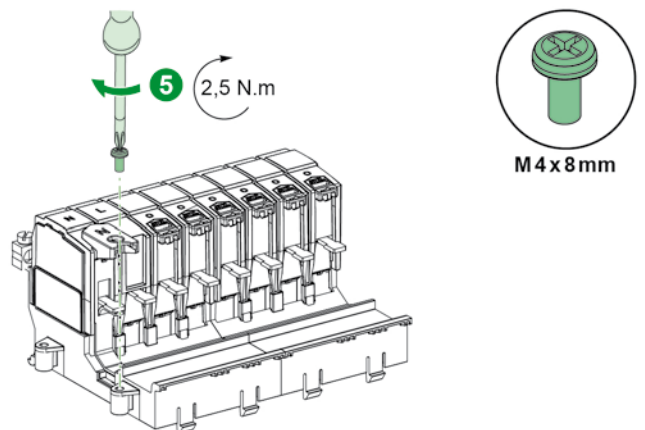
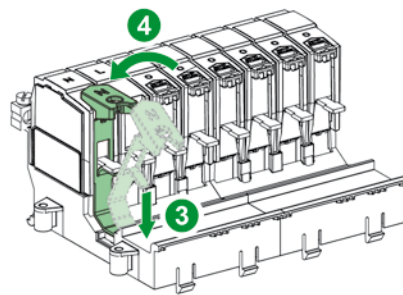
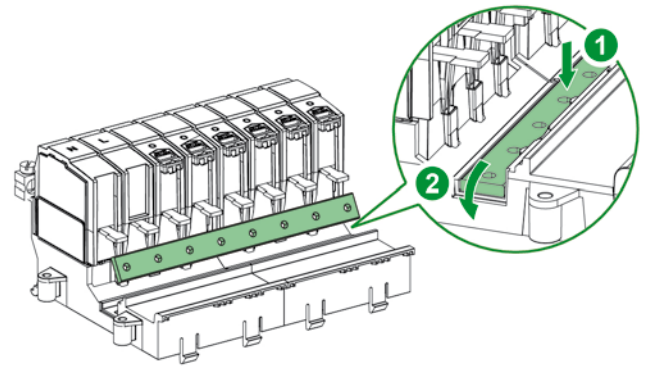
## 1.2 Install Neutral Outgoing Link into ISOBAR Type B



## 1.3 Install Distributed Neutral Kit into ISOBAR P Type A



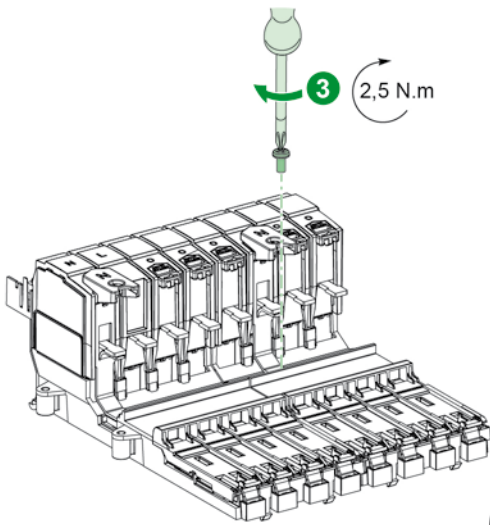
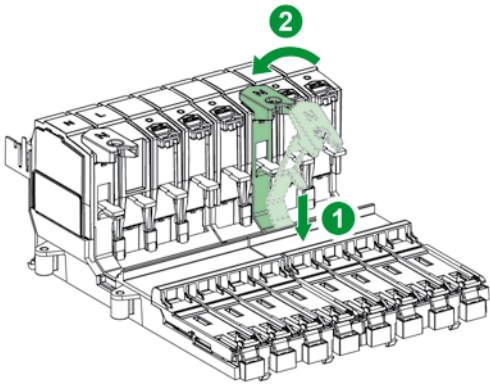
## 1.3 Install Distributed Neutral Kit into ISOBAR Type A



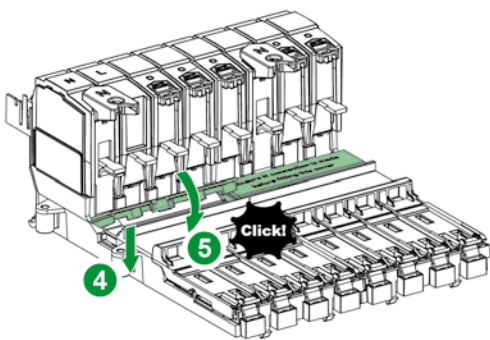


# 1 Installing

## 1.4 Install Neutral Outgoing Link into ISOBAR P Type A

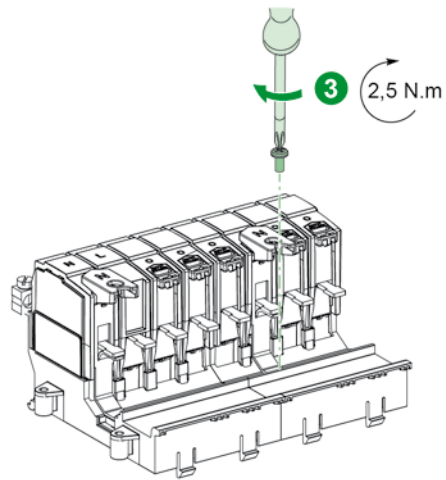
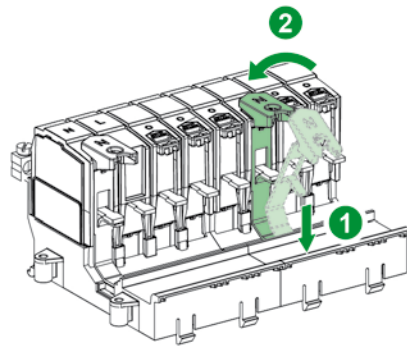


M4x8 mm

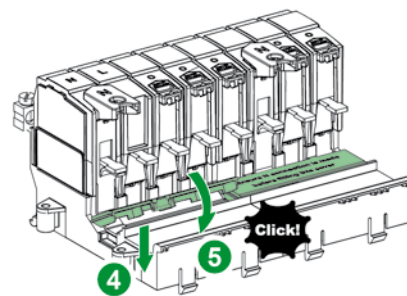


**i** Cover assembly order:  
Right to Left.

## 1.4 Install Neutral Outgoing Link into ISOBAR Type A



M4x8 mm



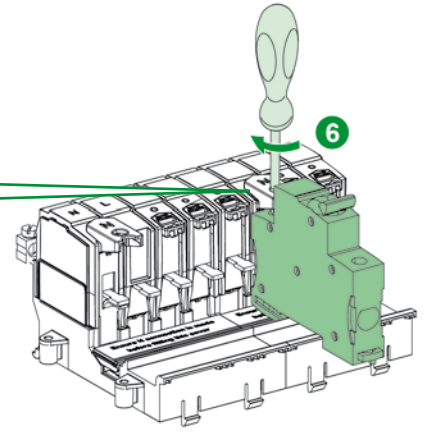
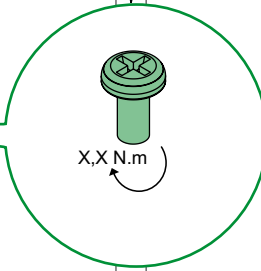
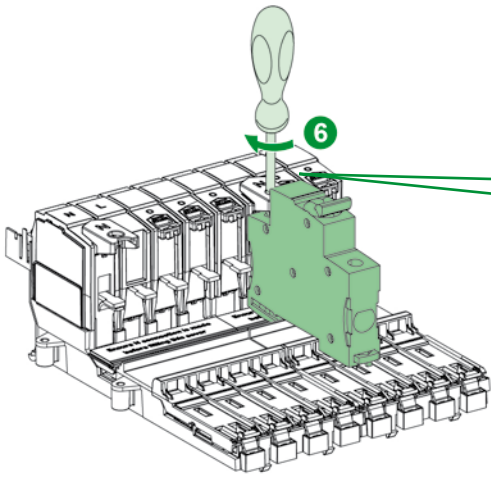
**i** Cover assembly order:  
Right to Left.

# 1 Installing

## 1.4 Install Neutral Outgoing Link into ISOBAR P Type A

## 1.4 Install Neutral Outgoing Link into ISOBAR Type A

**i** Consult individual device for relevant torque.





**Schneider Electric Industries SAS**  
35, rue Joseph Monier  
CS 30323  
F - 92506 Rueil Malmaison Cedex

[www.schneider-electric.com](http://www.schneider-electric.com)

PHA52946-01

Released for Manufacturing

Printed on 2022/04/14

© 09/2018 - Schneider Electric - All rights reserved.

8/8