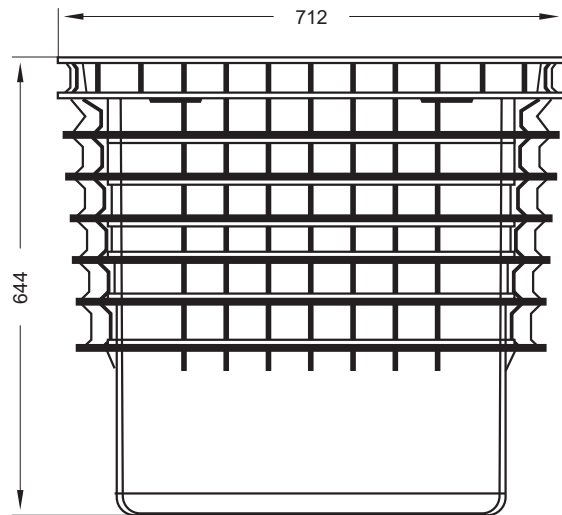
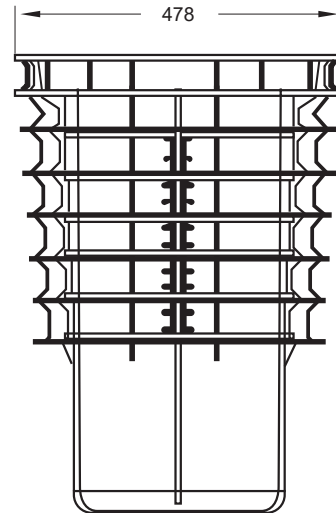
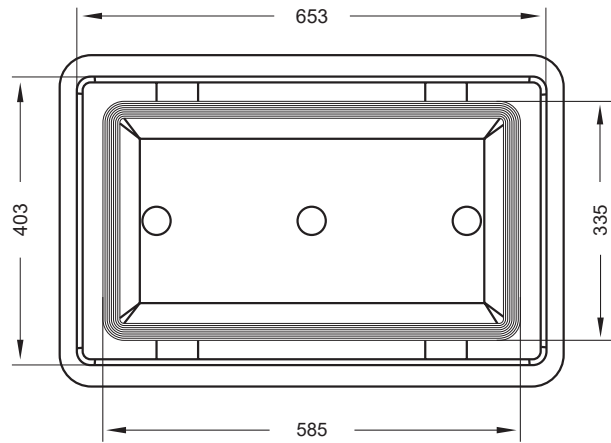


HDPE Pit - P5



Part No.
IDS P5

Burdens Head Office
11 Profit Pass
Wangara WA 6065
Phone: (08) 9302 4077
Fax: (08) 9302 1677
sales@burdens.net.au
www.burdens.net.au

Burdens Queensland
Unit 3/13 Octal Street
Yatala QLD 4207
Phone: (07) 3287 5166
Fax: (07) 3804 6166
qldsales@burdens.net.au
www.burdens.net.au

© Copyright iDS™
01/01/2012

Product Details

Clear Opening: 585x 335mm
Overall Dimensions: 712x478mm
Depth: 644mm
Mass: 8.5KG
Material: HDPE Injection Moulded

Project Name:

Approval for Use:

Date: